

**View Other Items  
In Our Catalog**

# UNITED's Product Items Shown in L thru V Sections



**Section R**  
Taper Lock Cutters for Free Hand Tools & Positive Feed Equipment for Hole Retrofit Applications



**Section O**  
Adapters, Air Flow Control, Nose Pieces & Reducers



**Section Q**  
Taper Lock Tooling Helox-Shelox



**Section N**  
Aircraft Burnishing, Chip Chasing & Seat Track Tools



**Section S**  
Complete Taper Lock & Standard Gauges



**Section M**  
Automotive & Aircraft Specific Tools

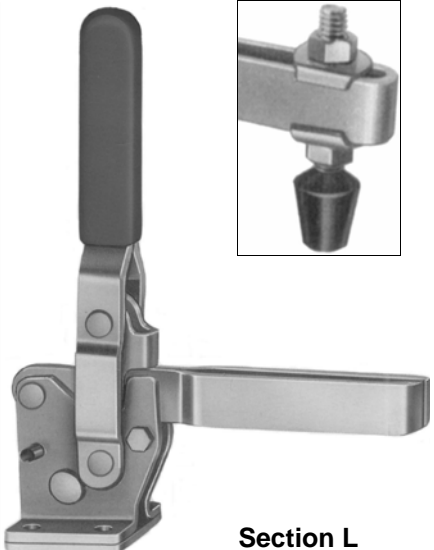
**Section P**  
Nurlock Adapter & Extended Range Tips, Helical Lock Liners, Kits & Accessories



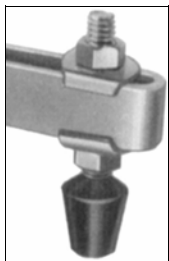
**Section U**  
Automatic Drill Riveter Tools & Accessories



**Section T**  
COMPOSITE REPAIR KIT  
Custom Kits for Standard & Specialty Tools

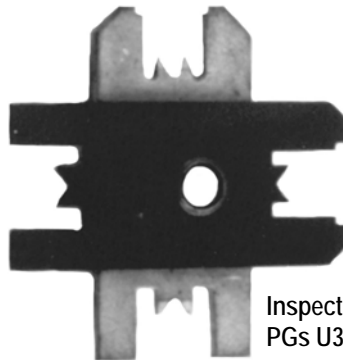


**Section L**  
Toggle Clamps, Fast Clamps & Accessories

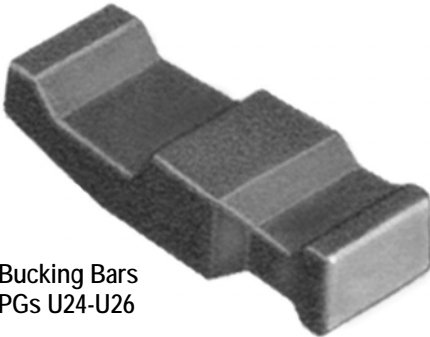


# Riveting, Bucking Bars, Inspection and Shear Test Tooling in This Section 'U'

**Rivet Tooling**



Inspection Gauges  
PGs U36-U39



Bucking Bars  
PGs U24-U26

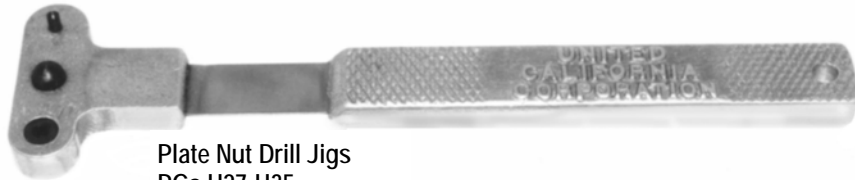


Plate Nut Drill Jigs  
PGs U27-U35



New Products Coming

