

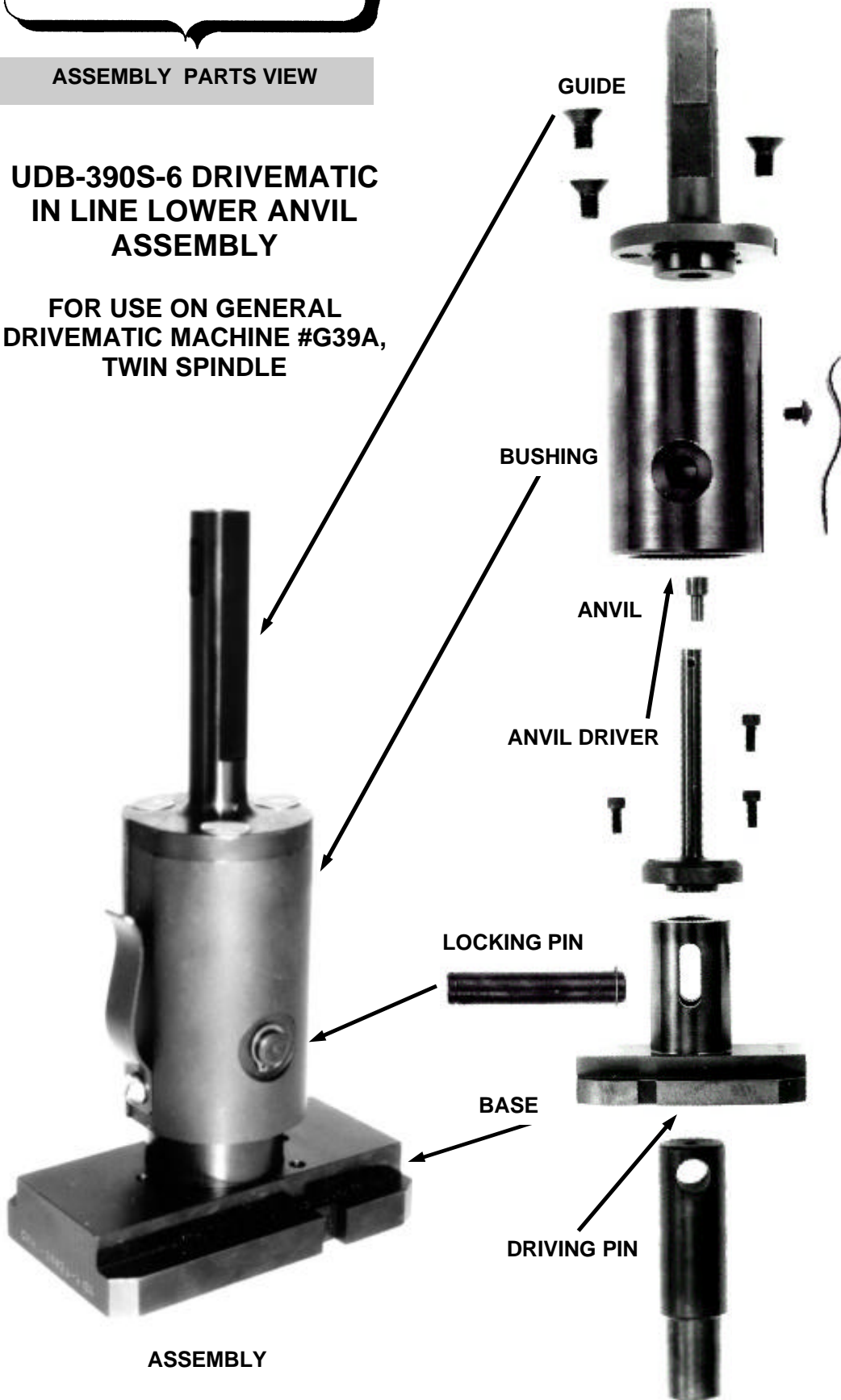
**Automatic Riveting
Anvil Stake Assembly**

Lower Stake Assembly

ASSEMBLY PARTS VIEW

**UDB-390S-6 DRIVEMATIC
IN LINE LOWER ANVIL
ASSEMBLY**

**FOR USE ON GENERAL
DRIVEMATIC MACHINE #G39A,
TWIN SPINDLE**



UNITED
Automatic
Riveting
Assemblies
will
wear long
and
hold size
longer than
competitive
tools...

We guarantee it!

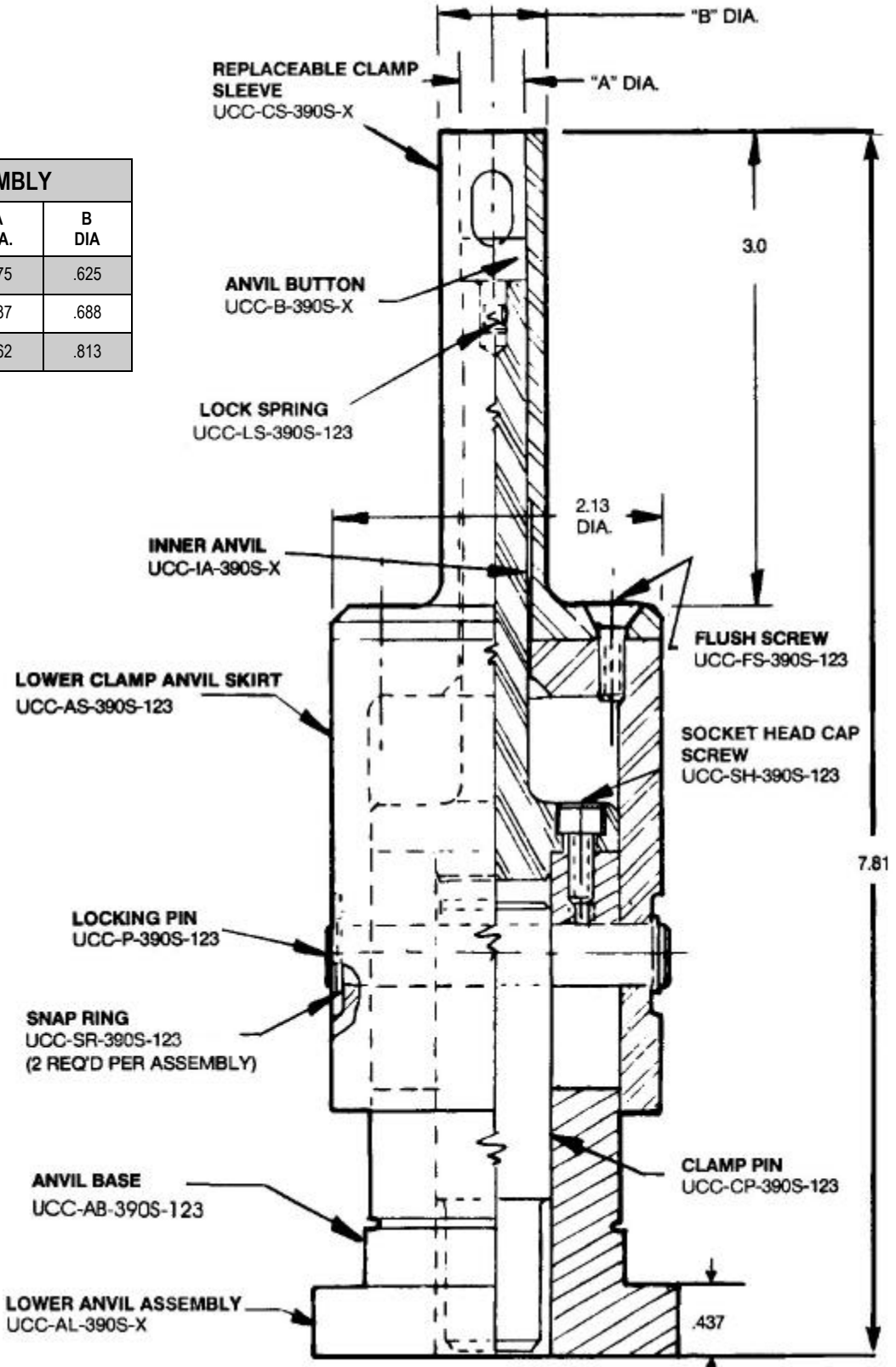
In Line Stake Type Lower Anvil Assembly



All Assemblies are serialized for traceability and exact parts replacement.

LOWER ANVIL ASSEMBLY Parts View

LOWER ANVIL ASSEMBLY			
PART NO.	RIVET DIA.	A DIA.	B DIA.
UCC-AL-390S-45	1/8, 5/32	.375	.625
UCC-AL-390S-6	3/16	.437	.688
UCC-AL-390S-8	1/4	.562	.813

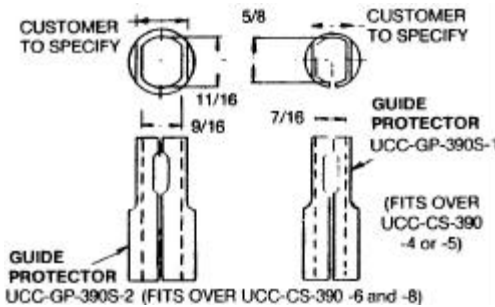


Factory modified variations are possible to suit Customer part.

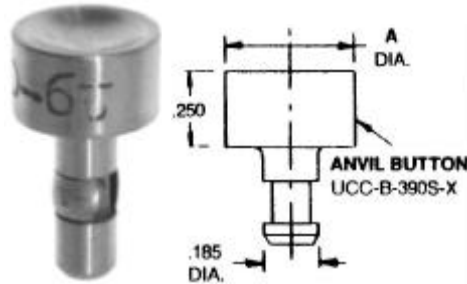
Submit part dimensional data for UCC Part No. and quotation.

In Line Stake Type Lower Anvil Assembly Components

GUIDE PROTECTORS



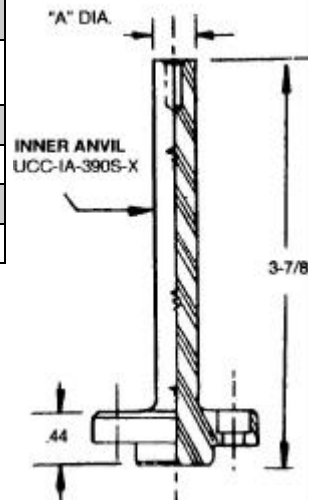
ANVIL BUTTONS



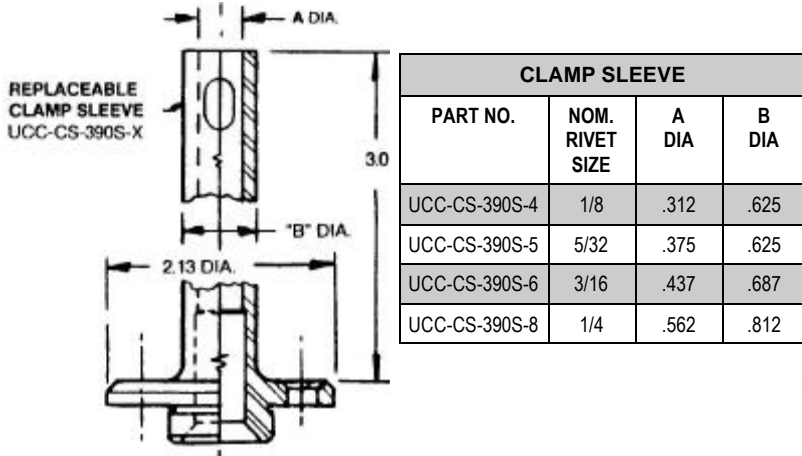
ANVIL BUTTON		
PART NO.	NOM. RIVET SIZE	A
UCC B- -4	1/8	.311
UCC-B-390S-5	5/32	.374
UCC-B-390S-6	3/16	.436
UCC-B-390S-8	1/4	.561

INNER ANVILS

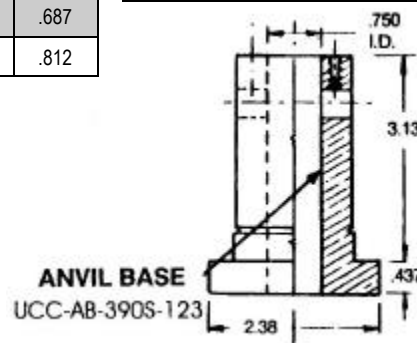
INNER ANVIL		
PART NO.	NOM. RIVET SIZE	A DIA
UCC-IA-390S-4	1/8	.311
UCC-IA-390S-5	5/32	.374
UCC-IA-390S-6	3/16	.436
UCC-IA-390S-8	1/4	.561



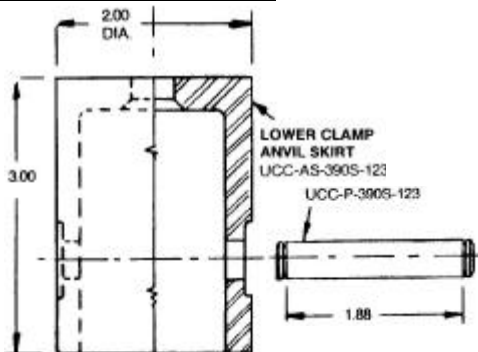
CLAMP SLEEVES



ANVIL BASES

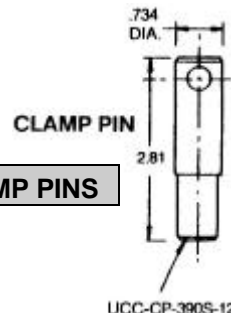


LOWER ANVIL SKIRTS



LOCKING PINS

CLAMP PINS



Anvil Drill Riveter Pressure Tool Bushings

**Pressure Foot
Precision Bushings**

UNITED PRESSURE FOOT BUSHINGS



ADAPTER BUSHINGS

The
Quality
You Need
is
Manufactured
into the
Parts
You Need
at
UNITED!

**Better
Faster
Lower Cost!**



CUSTOM PRESSURE BUSHING



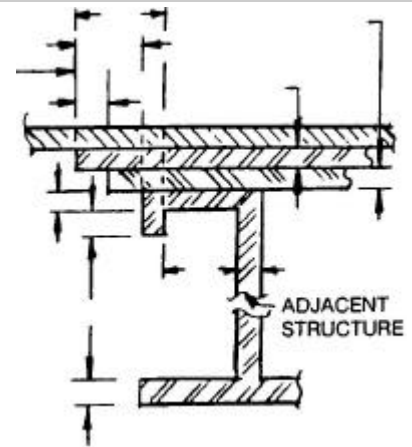
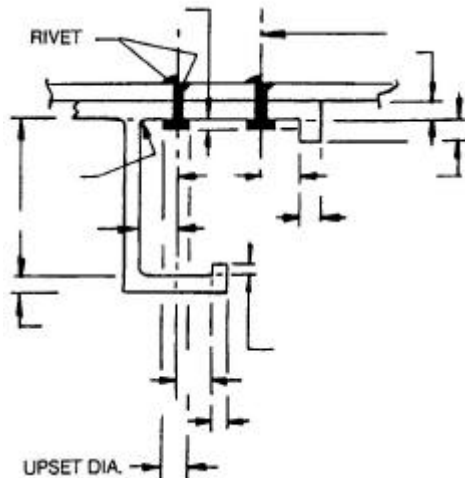
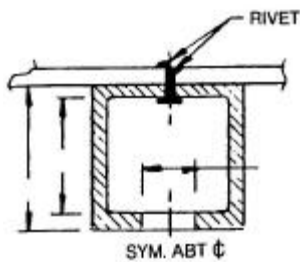
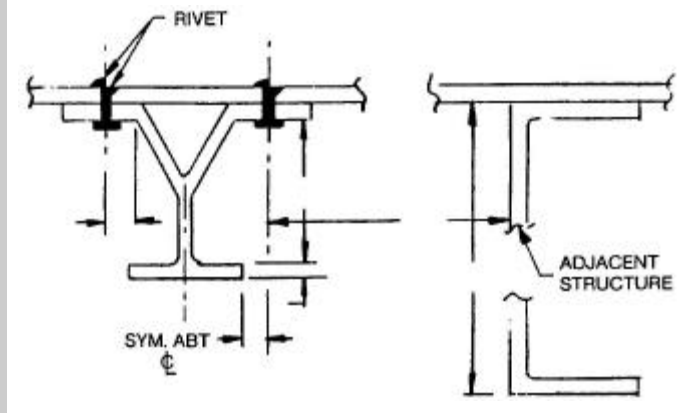
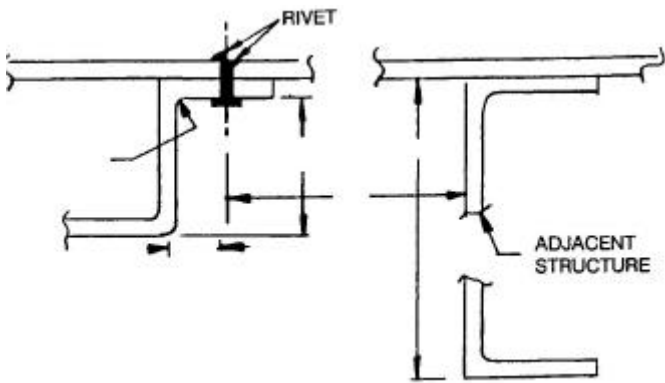
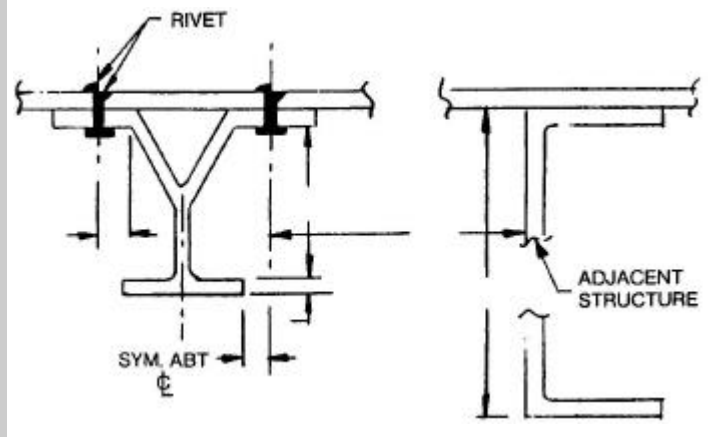
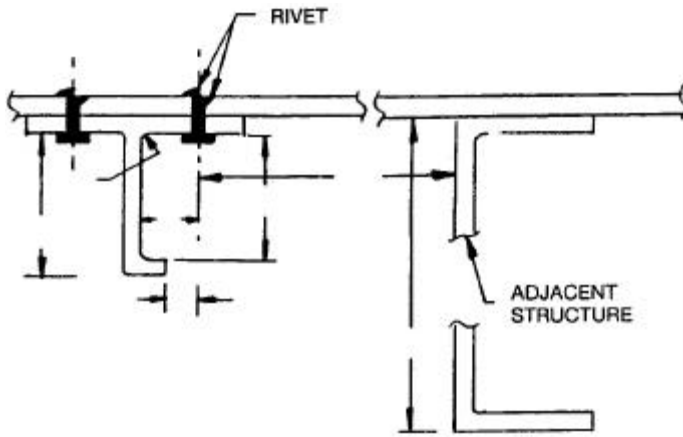
PRESSURE TOOL BUSHING

Your Tooling
Specialists

Typical Application Layouts for Lower Anvil Assemblies

ASSEMBLY LAYOUTS VIEW

DIMENSIONALIZE TO COMPLETE YOUR LAYOUT



Lower Anvil Assembly Offset 'C' Type for 1/8 - 5/32 Rivets UCC-LC-390C-1

Anvil Assembly
Specialists

UCC-LC-390C-1
LOWER ANVIL ASSEMBLY
Parts View

