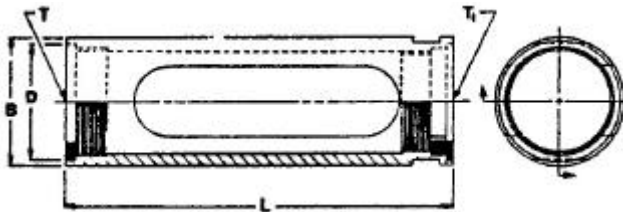


Insert Nosepieces

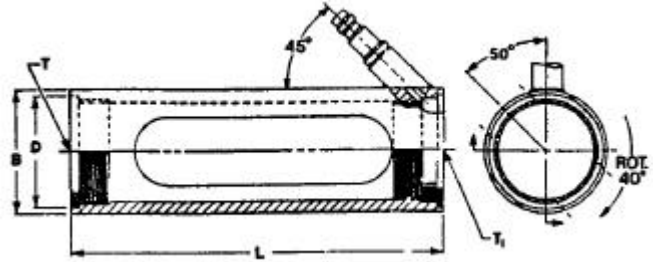
Quackenbush, Aro, Gardner-Denver Types

INSERT NOSEPIECES

Regular Style



Coolant Style

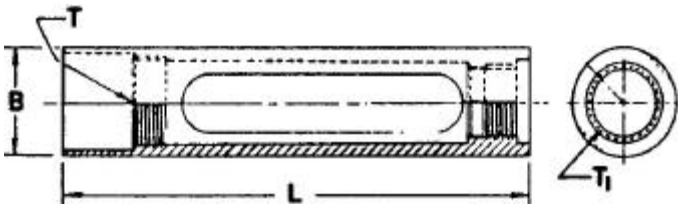


These Insert Nosepieces accommodate all sizes of Adapter Tips.
Used with Threaded Reducer Bushings shown on Pages O-14, O-17 and P35.
Threads from 3/4 - 16 to 2 - 16 on motors with 7" and 7-1/2" strokes.

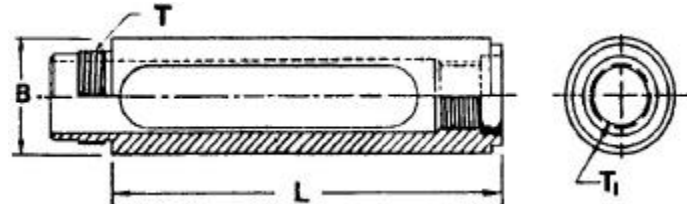
Aluminum Nosepieces will be supplied unless steel is specified by adding 'S' to Part No.
For Coolant Style add 'C' to regular style Part No. For Indexing style add 'I' to Part No. For Vacuum style add 'V.'

| PART NO. | STROKE | T L-H THD | D DIA | T ₁ L-H THD | B DIA | L LENGTH | QUACKENBUSH MOTOR NUMBER | STYLE |
|-------------|--------------|--------------|----------|---------------------------|----------|-------------|-----------------------------|---------------|
| UDB-691800 | 7" to 7-1/2" | 2-11/16 - 16 | 2.706 | 2 - 16 | 2-7/8 | 13-1/2 | QDA-13 and QDA-14 | REGULAR STYLE |
| UDB-691800C | 7" to 7-1/2" | 2-11/16 - 16 | 2.706 | 2 - 16 | 2-7/8 | 13-1/2 | QDA-13 and QDA-14 | COOLANT STYLE |

Type VII for Gardner-Denver and Aro Types



Type XI for Gardner-Denver Types



Aluminum Nosepieces will be supplied unless steel is specified by adding 'S' to Part No.
For Coolant Style add 'C' to regular style Part No. For Indexing style add 'I' to Part No. For Vacuum style add 'V.'

| PART NO. | STROKE | T L-H THD | T ₁ L-H THD | B DIA | L LENGTH | ADAPTER TIP SERIES | TYPE | GARDNER-DENVER MODEL NO. |
|-------------|--------|--------------|---------------------------|----------|-------------|-----------------------|------|-----------------------------|
| UDB-523513 | 2 | 1-9/16 - 18 | 3/4 - 16 | 1-3/4 | 6.88 | 21000 | VII | #MM 6 SERIES |
| UDB-524932 | 1-1/2 | 1-3/4 - 16 | 1 - 14 | 2 | 7.08 | 22000 | VII | #MM 8 SERIES |
| UDB-524935 | 2-1/2 | 1-3/4 - 16 | 1 - 14 | 2 | 8.08 | 22000 | VII | #MM 8 SERIES |
| UDB-525040 | 2 | 2-3/4 - 16 | 1-1/2 - 12 | 3 | 9.31 | 24000 | VII | #MM 13 SERIES |
| UDB-525044 | 3-1/2 | 2-3/4 - 16 | 1-1/2 - 12 | 3 | 10.81 | 24000 | VII | #MM 13 SERIES |
| UDB-17677 | 6 | 3-5/8 - 16 | 2 - 16 | 4 | 6.12 | 25000 | XI | #D 10 SERIES |
| UDB-17409 | 6 | 3-5/8 - 16 | 1-1/2 - 12 | 4 | 6.12 | 24000 | XI | #D 10 SERIES |
| UDB-26685 | 6 | 3-5/8 - 16 | 1-1/2 - 12 | 4 | 8.75 | 24000 | XI | #D 10 SERIES |
| UDB-27011-1 | 6 | 3-5/8 - 16 | 1 - 14 | 4 | 6.12 | 22000 | XI | #D 10 SERIES |
| UDB-27012-1 | 6 | 3-5/8 - 16 | 1 - 14 | 4 | 8.75 | 22000 | XI | #D 10 SERIES |
| UDB-31366 | 6 | 3-5/8 - 16 | 2 - 16 | 4 | 8.75 | 25000 | XI | #D 10 SERIES |
| UDB-31367 | 6 | 3-5/8 - 16 | 2 - 16 | 4 | 10.25 | 25000 | XI | #D 10 SERIES |

Adapter Tip Extensions

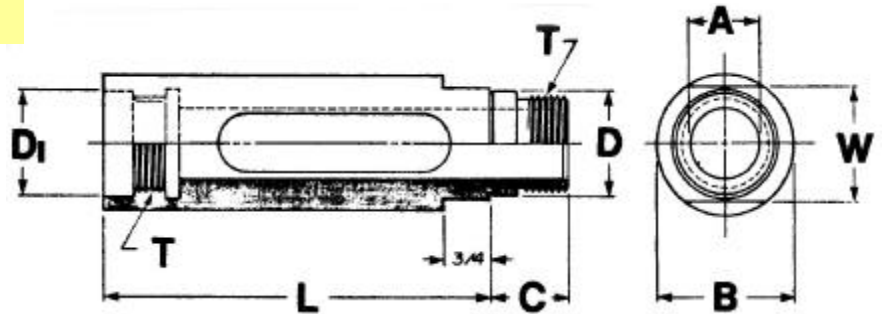
Adapter Tip Extensions

ADAPTER TIP EXTENSIONS

UNITED'S ADAPTER TIP EXTENSIONS will add working length to drilling, reaming and line-boring.

The Adapter Tip Extension increases your reach for different locations.

UNITED'S ADAPTER TIP EXTENSIONS can be supplied in any length.



- MANUFACTURED FROM TOUGH HEAVY-DUTY ALUMINUM.

- HELD TO CLOSE TOLERANCES TO ACCOMMODATE UNITED NURLOCK ADAPTER TIPS, REDUCERS AND NOSEPIECES.

INCREASE YOUR REACH WITH UNITED'S ADAPTER TIP EXTENSIONS!

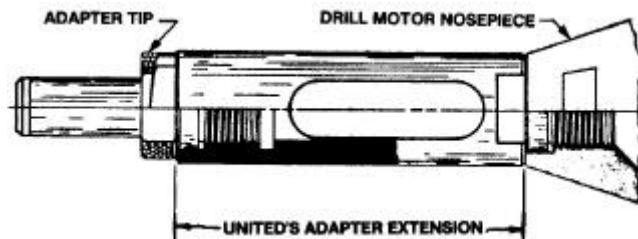
ADAPTER TIP WITH EXTENSION



- WRENCHING FLATS ARE PROVIDED TO SECURE EXTENSION.

- LIGHT IN WEIGHT.

- CHIP CLEARANCE SLOTS PREVENT CLOGGING.



ALUMINUM EXTENSIONS WILL BE PROVIDED UNLESS STEEL IS SPECIFIED.

FOR COOLANT TYPE, ADD SUFFIX 'C' TO PART NO.

| A INSIDE DIA | B OUTSIDE DIA | C LEN | D MALE DIA | D ₁ FEMALE DIA | T L-H THD | W WRENCH FLATS | PART NO. FOR 'L' EXTENSION LENGTHS | | | | | ADAPTER TIP SERIES |
|--------------------|---------------------|----------|------------------|---------------------------------|--------------|----------------------|------------------------------------|------------|------------|------------|------------|--------------------------|
| | | | | | | | 2" | 4" | 6" | 8" | 10" | |
| 15/32 | 1" | 3/4 | .8110 .8104 | .8120 .8125 | 3/4 - 16 | 7/8 | UDB-E21002 | UDB-E21004 | UDB-E21006 | UDB-E21008 | UDB-E21010 | 21000 |
| 19/32 | 1-7/16 | 1" | 1.0610 1.0604 | 1.0620 1.0625 | 1 - 14 | 1-1/4 | UDB-E22002 | UDB-E22004 | UDB-E22006 | UDB-E22008 | UDB-E22010 | 22000 |
| 15/16 | 1-11/16 | 1" | 1.3110 1.3104 | 1.3120 1.3125 | 1-1/4 - 12 | 1-1/2 | UDB-E23002 | UDB-E23004 | UDB-E23006 | UDB-E23008 | UDB-E23010 | 23000 |
| 1-1/8 | 2" | 1" | 1.5610 1.5604 | 1.5620 1.5625 | 1-1/2 - 12 | 1-3/4 | UDB-E24002 | UDB-E24004 | UDB-E24006 | UDB-E24008 | UDB-E24010 | 24000 |
| 1-11/16 | 2-5/8 | 1" | 2.0610 2.0604 | 2.0620 2.0625 | 2 - 16 | 2-1/4 | UDB-E25002 | UDB-E25004 | UDB-E25006 | UDB-E25008 | UDB-E25010 | 25000 |

Extended Ranges

Extended Range Nosepieces

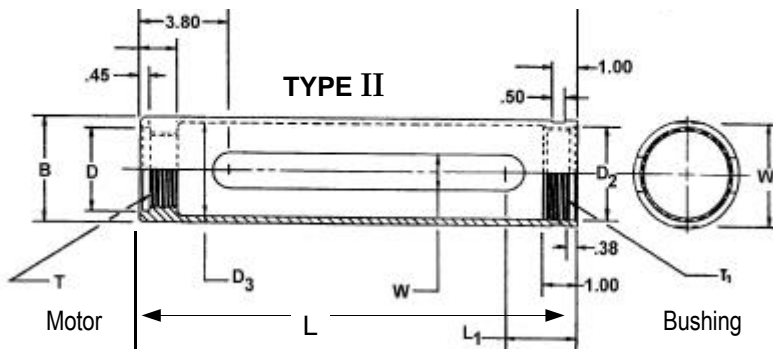
MOTOR THREADS 2-16 LH to 3-5/8-16 LH



NOTE: Aluminum Nosepieces will be supplied, unless STEEL is specified by adding **S** to Part No.
For COOLANT style, add **C** to regular style Part No.
Add **V** for VACUUM.
Add **I** for INDEXING.
See page O-5.

EXTENDED RANGE NOSEPIECES TO FIT:

**26000,
27000,
28000,
29000, and
30000 NURLOCK
ADAPTER TIPS**



| UNITED NEW PART NO. | UNITED OLD PART NO. | B | L OAL | T _{LH} MOTOR | T ₁ LH BUSHING | D | D ₂ | D ₃ | L ₁ | W | W ₁ | TIP SERIES | REFERENCE PREFIX: C652-94279- | MOTOR NO. CODES |
|---------------------|---------------------|------|-------|-----------------------|---------------------------|--------|----------------|----------------|----------------|------|----------------|------------|-------------------------------|-----------------|
| UCC-626409 | UCC-626909 | 2.88 | 9.0 | 2-16 | 2-1/4-16 | 2.2500 | 2.3120 | 2.4 | 2.5 | 1.00 | 2.75 | 26000 | -201XXX-9.00-A/S-GT | 1 THRU 4 |
| UCC-626412 | UCC-626912 | 2.88 | 12.0 | 2-16 | 2-1/4-16 | 2.2500 | 2.3120 | 2.4 | 2.5 | 1.00 | 2.75 | 26000 | -201XXX-12.00-A/S-GT | 1 THRU 4 |
| UCC-626415 | UCC-626915 | 2.88 | 15.0 | 2-16 | 2-1/4-16 | 2.2500 | 2.3120 | 2.4 | 2.5 | 1.00 | 2.75 | 26000 | -201XXX-15.00-A/S-GT | 7 AND 8 |
| UCC-626418 | UCC-626918 | 2.88 | 18.0 | 2-16 | 2-1/4-16 | 2.2500 | 2.3120 | 2.4 | 2.5 | 1.00 | 2.75 | 26000 | -201XXX-18.00-A/S-GT | 7 AND 8 |
| UCC-626509 | UCC-626920 | 3.25 | 9.0 | 2-16 | 2-1/4-16 | 2.2500 | 2.3120 | 2.4 | 2.5 | 1.00 | 3.12 | 26000 | -205XXX-9.00-A/S-GT | 5 AND 6 |
| UCC-626512 | UCC-626925 | 3.25 | 12.0 | 2-16 | 2-1/4-16 | 2.2500 | 2.3120 | 2.4 | 2.5 | 1.00 | 3.12 | 26000 | -205XXX-12.00-A/S-GT | 5 AND 6 |
| UCC-626515 | UCC-626930 | 3.25 | 15.0 | 2-16 | 2-1/4-16 | 2.2500 | 2.3120 | 2.4 | 2.5 | 1.00 | 3.12 | 26000 | -205XXX-15.00-A/S-GT | 5 AND 6 |
| UCC-626518 | UCC-626935 | 3.25 | 18.0 | 2-16 | 2-1/4-16 | 2.2500 | 2.3120 | 2.4 | 2.5 | 1.00 | 3.12 | 26000 | -205XXX-18.00-A/S-GT | 5 AND 6 |
| UCC-627609 | UCC-627909 | 3.38 | 9.0 | 2-1/2-16 | 2-3/4-16 | 2.7500 | 2.8120 | 2.9 | 2.6 | 1.25 | 3.25 | 27000 | -202XXX-9.00-A/S-GT | 1 THRU 8 |
| UCC-627612 | UCC-627912 | 3.38 | 12.0 | 2-1/2-16 | 2-3/4-16 | 2.7500 | 2.8120 | 2.9 | 2.6 | 1.25 | 3.25 | 27000 | -202XXX-12.00-A/S-GT | 1 THRU 8 |
| UCC-627615 | UCC-627915 | 3.38 | 15.0 | 2-1/2-16 | 2-3/4-16 | 2.7500 | 2.8120 | 2.9 | 2.6 | 1.25 | 3.25 | 27000 | -202XXX-15.00-A/S-GT | 1 THRU 8 |
| UCC-627618 | UCC-627918 | 3.38 | 18.0 | 2-1/2-16 | 2-3/4-16 | 2.7500 | 2.8120 | 2.9 | 2.6 | 1.25 | 3.25 | 27000 | -202XXX-18.00-A/S-GT | 1 THRU 8 |
| UCC-628709 | UCC-628909 | 3.88 | 9.0 | 3-8 | 3-1/4-16 | 3.2500 | 3.3120 | 3.4 | 2.6 | 1.25 | 3.68 | 28000 | -203XXX-9.00-A/S-GT | 1 THRU 8 |
| UCC-628712 | UCC-628912 | 3.88 | 12.0 | 3-8 | 3-1/4-16 | 3.2500 | 3.3120 | 3.4 | 2.6 | 1.25 | 3.68 | 28000 | -203XXX-12.00-A/S-GT | 1 THRU 8 |
| UCC-628715 | UCC-628915 | 3.88 | 15.0 | 3-8 | 3-1/4-16 | 3.2500 | 3.3120 | 3.4 | 2.6 | 1.25 | 3.68 | 28000 | -203XXX-15.00-A/S-GT | 1 THRU 8 |
| UCC-628718 | UCC-628918 | 3.88 | 18.0 | 3-8 | 3-1/4-16 | 3.2500 | 3.3120 | 3.4 | 2.6 | 1.25 | 3.68 | 28000 | -203XXX-18.00-A/S-GT | 1 THRU 8 |
| UCC-629809 | UCC-629909 | 4.38 | 9.0 | 3-8 | 3-3/4-16 | 3.5000 | 3.8120 | 3.9 | 2.7 | 1.40 | 4.18 | 29000 | -204XXX-9.00-A/S-GT | 1 THRU 8 |
| UCC-629812 | UCC-629912 | 4.38 | 12.0 | 3-8 | 3-3/4-16 | 3.5000 | 3.8120 | 3.9 | 2.7 | 1.40 | 4.18 | 29000 | -204XXX-12.00-A/S-GT | 1 THRU 8 |
| UCC-629815 | UCC-629915 | 4.38 | 15.0 | 3-8 | 3-3/4-16 | 3.5000 | 3.8120 | 3.9 | 2.7 | 1.40 | 4.18 | 29000 | -204XXX-15.00-A/S-GT | 1 THRU 8 |
| UCC-629818 | UCC-629918 | 4.38 | 18.0 | 3-8 | 3-3/4-16 | 3.5000 | 3.8120 | 3.9 | 2.7 | 1.40 | 4.18 | 29000 | -204XXX-18.00-A/S-GT | 1 THRU 8 |
| UCC-630909 | UCC-630909 | 4.8 | 9.0 | 3-5/8-16 | 4-1/4-16 | 4.0000 | 4.3120 | 4.4 | 2.9 | 1.75 | 4.56 | 30000 | -206XXX-9.00-A/S-GT | 5 THRU 8 |
| UCC-630912 | UCC-630912 | 4.8 | 12.0 | 3-5/8-16 | 4-1/4-16 | 4.0000 | 4.3120 | 4.4 | 2.9 | 1.75 | 4.56 | 30000 | -206XXX-12.00-A/S-GT | 5 THRU 8 |
| UCC-630915 | UCC-630915 | 4.8 | 15.0 | 3-5/8-16 | 4-1/4-16 | 4.0000 | 4.3120 | 4.4 | 2.9 | 1.75 | 4.56 | 30000 | -206XXX-15.00-A/S-GT | 5 THRU 8 |
| UCC-630918 | UCC-630918 | 4.8 | 18.0 | 3-5/8-16 | 4-1/4-16 | 4.0000 | 4.3120 | 4.4 | 2.9 | 1.75 | 4.56 | 30000 | -206XXX-18.00-A/S-GT | 5 THRU 8 |
| UCC-630924 | UCC-630924 | 4.8 | 24.0 | 3-5/8-16 | 4-1/4-16 | 4.0000 | 4.3120 | 4.4 | 2.9 | 1.75 | 4.56 | 30000 | -206XXX-24.00-A/S-GT | 5 THRU 8 |

Overall Lengths (L) charted are UCC Standards. Other lengths to suit specific needs available.

Motors that can be used with Extended Range Bushing Tips.

Code Numbers below are also for chart above and charts on next page.

- 1=158QGDB-S400-QDA-11 4=400QGDBV-S600-QDA-12 6A=158QGDD2B-5750-QDA-14
- 2=400QGDBV-S400-QDA-12 5=158QGDA2B-S700-QDA-13 7=158QGDA-RAB-SU-RS-Q4CD
- 3=158QGDB-S600-QDA-12 6=400QGBAV-S700-QDA-14 8=230QGDA-RAB-SU-MS-QCA-AN

EXAMPLE CALL OUT OF PART NO.

UCC - 6 2 6 4 0 9

SPECIAL NOSE PIECE

NOSE PIECE LENGTH

ADAPTER TIP SERIES

NOSE PIECE O.D. SIZE

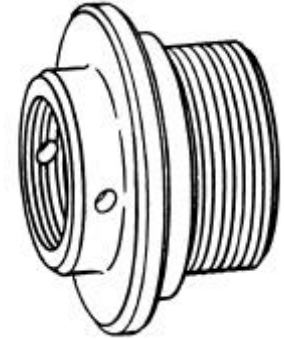
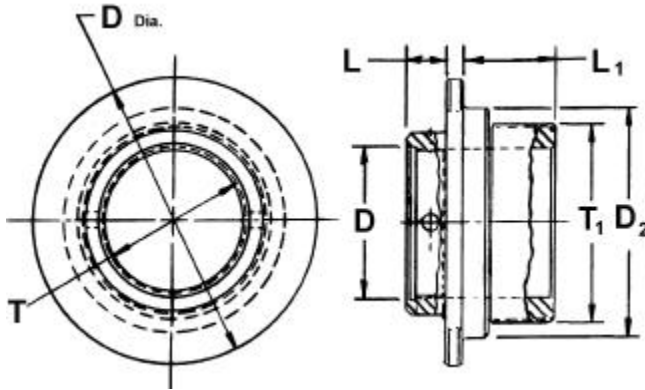
| | |
|---------------|---------------|
| 4 = 2.88 O.D. | 7 = 3.88 O.D. |
| 5 = 3.25 O.D. | 8 = 4.38 O.D. |
| 6 = 3.38 O.D. | 9 = 4.80 O.D. |

Extended Range Adapters

MOTOR TO NOSEPIECE ADAPTERS

Motor To Nosepiece
Adapters

MOTOR TO NOSEPIECE

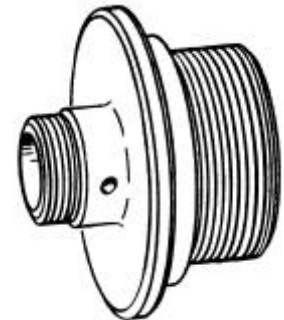
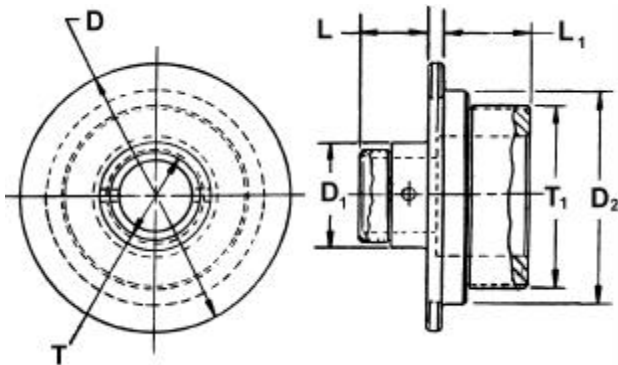


| UNITED PART NO. | T LH THD | D1 DIA | T1 LH THD | D2 DIA | THREAD SERIES | D DIA | L LENGTH | L1 LENGTH | G652-94279-GT DASH # | * MOTOR CODE |
|-----------------|------------|--------|-----------|--------|---------------|-------|----------|-----------|----------------------|--------------|
| UCC-626800 | 2-1/4-20 | 2.270 | 2-16 | 2.2495 | 26000 | 2.88 | .63 | 1.15 | -221 | 1 THRU 4 |
| UCC-627800 | 2-1/4-20 | 2.270 | 2-1/2-16 | 2.7495 | 27000 | 3.38 | .63 | 1.40 | -222 | 1 THRU 4 |
| UCC-628800 | 2-1/4-20 | 2.270 | 3-8 | 3.2495 | 28000 | 3.88 | .63 | 1.40 | -223 | 1 THRU 4 |
| UCC-629800 | 2-1/4-20 | 2.270 | 3-8 | 3.4995 | 29000 | 4.38 | .63 | 1.40 | -224 | 1 THRU 4 |
| UCC-630800 | 2-1/4-20 | 2.270 | 3-5/8-16 | 3.9995 | 30000 | 4.80 | .63 | 1.40 | | 1 THRU 4 |
| UCC-626805 | 2-11/16-20 | 2.706 | 2-16 | 2.2495 | 26000 | 2.88 | .63 | 1.15 | -225 | 5 AND 6 |
| UCC-627805 | 2-11/16-20 | 2.706 | 2-1/2-16 | 2.7495 | 27000 | 3.38 | .63 | 1.40 | -226 | 5 AND 6 |
| UCC-628805 | 2-11/16-20 | 2.706 | 3-8 | 3.2495 | 28000 | 3.88 | .63 | 1.40 | -227 | 5 AND 6 |
| UCC-629805 | 2-11/16-20 | 2.706 | 3-8 | 3.4995 | 29000 | 4.38 | .63 | 1.40 | -228 | 5 AND 6 |
| UCC-630805 | 2-11/16-20 | 2.706 | 3-5/8-16 | 3.9995 | 30000 | 4.80 | .63 | 1.40 | | 5 AND 6 |
| UCC-626810 | 2-1/4-20 | 2.270 | 2-16 | 2.2495 | 26000 | 2.88 | .63 | 1.15 | -229 | 7 AND 8 |
| UCC-627810 | 2-1/4-20 | 2.270 | 2-1/2-16 | 2.7495 | 27000 | 3.38 | .63 | 1.40 | -230 | 7 AND 8 |
| UCC-628810 | 2-1/4-20 | 2.270 | 3-8 | 3.2495 | 28000 | 3.88 | .63 | 1.40 | -231 | 7 AND 8 |
| UCC-629810 | 2-1/4-20 | 2.270 | 3-8 | 3.4995 | 29000 | 4.38 | .63 | 1.40 | -232 | 7 AND 8 |
| UCC-630810 | 2-1/4-20 | 2.270 | 3-5/8-16 | 3.9995 | 30000 | 4.80 | .63 | 1.40 | | 7 AND 8 |

TYPE IV
UNITED Motor to
Nosepiece Adapters are
carefully ground to
precision tolerances.



MOTOR TO NOSEPIECE



| UNITED PART NO. | T LH THRD | D1 DIA | T1 LH THRD | D2 DIA | THREAD SERIES | D DIA | L LENGTH | L1 LENGTH | G652-94279-GT DASH # | * MOTOR CODE |
|-----------------|-----------|--------|------------|--------|---------------|-------|----------|-----------|----------------------|--------------|
| UCC-626815 | 1-9/16-20 | 1.75 | 2-16 | 2.2495 | 26000 | 2.88 | .97 | 1.15 | -233 | 7 AND 8 |
| UCC-627815 | 1-9/16-20 | 1.75 | 2-1/2-16 | 2.7495 | 27000 | 3.38 | .97 | 1.40 | -234 | 7 AND 8 |
| UCC-628815 | 1-9/16-20 | 1.75 | 3-8 | 3.2495 | 28150 | 3.88 | .97 | 1.40 | -235 | 7 AND 8 |
| UCC-629815 | 1-9/16-20 | 1.75 | 3-8 | 3.4995 | 29000 | 4.38 | .97 | 1.40 | -236 | 7 AND 8 |
| UCC-630815 | 1-9/16-20 | 1.75 | 3-5/8-16 | 3.9995 | 30000 | 4.80 | .97 | 1.40 | | 7 AND 8 |

TYPE V
Motor to Nosepiece
Adapters are precision
machined, hardened and
ground. Black Oxide
coated.

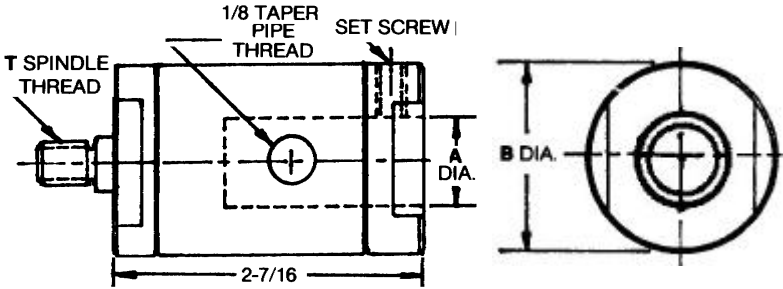
* See Motor Code Numbers on page O-20.

Air Fluid Chucks

Coolant Chucks for Straight/Tapered Drills

AIR FLUID CHUCK TYPE I WITH MALE ADAPTER THREAD

NOTE:
COMBINATION SIDE AND END COOLANT FEED.



COOLANT CHUCK for Straight or Tapered Drills and Reamers with Cylindrical Shanks.

Set Screw provides drive on cutting tool shank.

Durable Long-Life Bearings and Seals.

Maximum Shank Capacity: One inch.

Transfers coolant at high pressure through coolant ports of cutting tool.

QUALITY ASSURED HARDENED ALLOY STEEL PRECISION GROUND BRONZE SLEEVE
CONCENTRIC CLOSE TOLERANCE TESTED AT 100 PSI FOR LEAKS

| NEW PART NO. | OLD PART NO. | A DIAMETER | B DIAMETER | T THREAD | MOTOR MODEL NO. |
|---------------|--------------|------------|------------|----------|------------------|
| UDB-621201MC | UDB-611139 | .3755 | 1.437 | 3/8-24 | QDA-10 |
| UDB-621258MC | UDB-611139 | .5005 | 1.437 | 3/8-24 | QDA-15 |
| UDB-621205MC | UDB-611159 | .5005 | 1.437 | 9/16-18 | QDA-11 QDA-12 |
| UDB-621209MC | UDB-611169 | .7505 | 1.938 | 9/16-18 | |
| UDB-621212MCA | UDB-611161 | 1.0005 | 1.938 | 9/16-18 | QDA-13 QDA-14 |
| UDB-621212MCB | UDB-611170 | 1.0005 | 1.938 | 3/4-16 | |

Fluid Chucks for non-standard shank diameters are available as special orders.

AIR FLUID CHUCK TYPE II WITH FEMALE ADAPTER THREAD

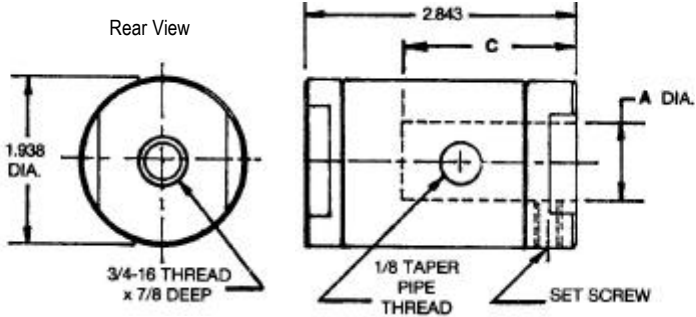
NOTE:
COMBINATION SIDE AND END COOLANT



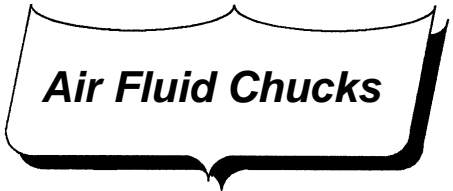
QUALITY ASSURED
HARDENED ALLOY STEEL
PRECISION GROUND BRONZE SLEEVE
CONCENTRIC
CLOSE TOLERANCE
TESTED AT 100 PSI FOR LEAKS

See Spindle Extensions and Adapters
On Pages O-27 and O-28.

| UNITED PART NO. | A DIAMETER | (REF.) | C TOOL SHANK DEPTH |
|-----------------|------------|--------|--------------------|
| UDB-621202FC | .3599 | 23/64 | 1.062 |
| UDB-621186FC | .3755 | 3/8 | |
| UDB-621266FC | .4067 | 13/32 | |
| UDB-621203FC | .4224 | 27/64 | 1.437 |
| UDB-621289FC | .4380 | 7/16 | |
| UDB-621204FC | .4849 | 31/64 | |
| UDB-621205FC | .5005 | 1/2 | |
| UDB-621267FC | .5317 | 17/32 | 1.687 |
| UDB-621206FC | .5474 | 35/64 | |
| UDB-621290FC | .5630 | 9/16 | |
| UDB-621207FC | .6099 | 39/64 | |
| UDB-621291FC | .6255 | 5/8 | |
| UDB-621208FC | .7349 | 47/64 | |
| UDB-621209FC | .7505 | 3/4 | |
| UDB-621210FC | .8599 | 55/64 | |
| UDB-621211FC | .9224 | 59/64 | |
| UDB-621292FC | .9849 | 63/64 | |
| UDB-621212FC | 1.0005 | 1" | |

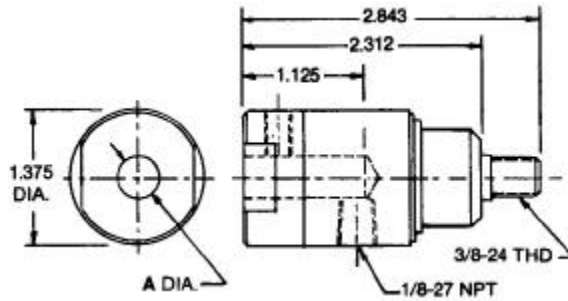


Air Fluid Chucks, Adapters & Coolant Feet



AIR FLUID CHUCK TYPE III (MINI SERIES)

| UNITED PART NO. | A DIA. | (REF.) |
|-----------------|--------|--------|
| UDB-621330MMC | .1855 | #13 |
| UDB-621194MMC | .1915 | #11 |
| UDB-621217MMC | .1940 | #10 |
| UDB-621218MMC | .1965 | #9 |
| UDB-621195MMC | .1995 | #8 |
| UDB-621196MMC | .2349 | 15/64 |
| UDB-621331MMC | .2465 | D |
| UDB-621197MMC | .2505 | 1/4 |
| UDB-621198MMC | .2974 | 19/64 |
| UDB-621199MMC | .3130 | 5/16 |
| UDB-621298MMC | .3286 | 21/64 |
| UDB-621200MMC | .3599 | 23/64 |
| UDB-621201MMC | .3755 | 3/8 |

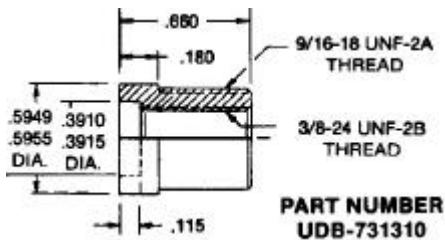


FITS ALL NOSE PIECES

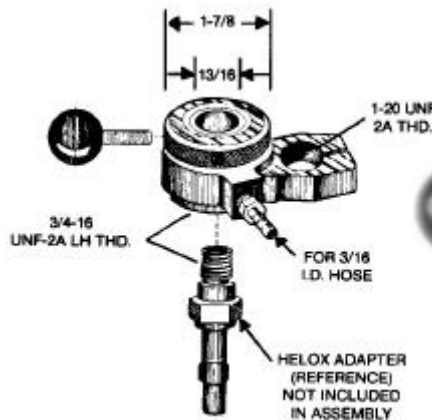
QUALITY ASSURED HARDENED ALLOY STEEL PRECISION GROUND BRONZE SLEEVE
CONCENTRIC CLOSE TOLERANCE TESTED AT 100 PSI FOR LEAKS

FLUID CHUCK ADAPTERS

ADAPTS TYPE III (MINI CHUCKS) TO 9/16 - 18 THREADED SPINDLES

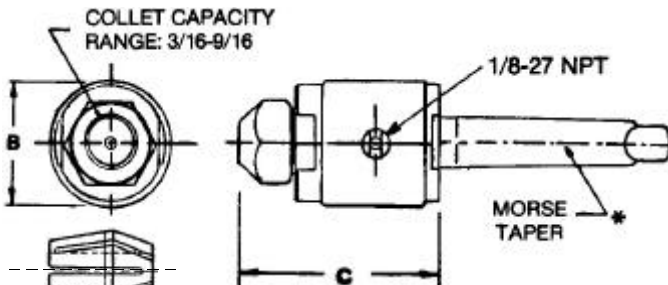


COOLANT FEET (SPACEMATIC TYPE)



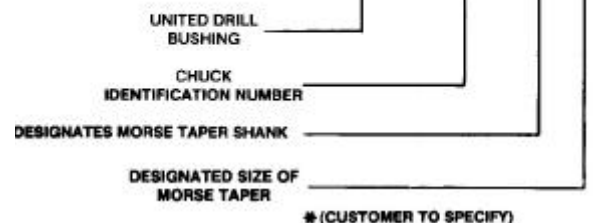
UDB-621305

AIR FLUID CHUCK TYPE V



HOW TO ORDER

UDB - 673403 MT (5)



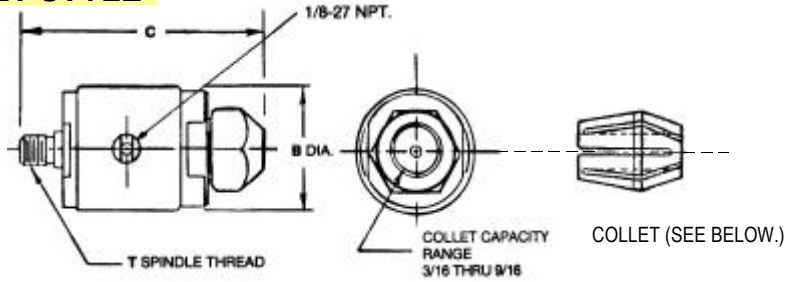
- USE WITH UDB-562936 'Y' STYLE COLLETS
- COLLET CAPACITY RANGE: 3/16 THRU 9/16
- ORDER BY PART NO. AND SPECIFY I.D. REQUIRED.
- AVAILABLE IN ALL FRACTIONS, NUMBER AND LETTER SIZES WITHIN NOTED RANGE.
- OTHER SIZES AVAILABLE AS SPECIAL ORDERS.

QUALITY ASSURED HARDENED ALLOY STEEL PRECISION GROUND BRONZE SLEEVE
CONCENTRIC CLOSE TOLERANCE TESTED AT 100 PSI FOR LEAKS

Air Fluid Chucks, Collets, 3-Jaw Chucks

Portable Air Motor Fluid Chucks

AIR FLUID CHUCKS TYPE IV - COLLET STYLE



has long life seals and bearings.

UDB 562936 'Y' style Collets shown below.

CHUCK can be ordered special with 1/4 - 20 Thread, if required.

Designed for use with Positive Feed Air Motors.

A Hanson type
the Chuck to which a fluid line is attached.

To order replacement Hexagonal Collet Nuts,
specify UDB-

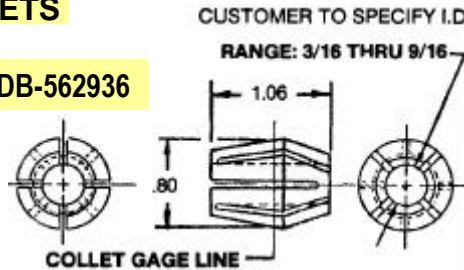
PRECISION GROUND BRONZE SLEEVE QUALITY ASSURED
HARDENED ALLOY STEEL CONCENTRIC
CLOSE TOLERANCE TESTED AT 100 PSI FOR LEAKS

| TYPE IV PART NO. | B DIAMETER | C LENGTH | T THREAD | MOTOR MODEL NO. |
|------------------|------------|----------|-----------|--|
| UDB-673403 | 1-31/64 | 3-5/8 | 3/8 - 24 | QDA-10, - 10C, - 10CHD, - 15A, -27A |
| UDB-673431 | 1-23/32 | 4-5/16 | 9/16 - 18 | QDA-11, QDA-12 |
| UDB-673421 | 1-23/32 | 4-5/16 | 3/4 - 16 | QDA-13, QDA-14 |

DOUBLE TAPER COLLETS



UDB-562936



EIGHT SLOTTED COLLET - UDB-562936

PRECISION GROUND

HOLDS CUTTING TOOLS CONCENTRICALLY

For use with Collet style Fluid Chucks shown above.

Available in all Fractional, Number and Letter Sizes wi

THREE-JAW CHUCKS - JACOBS STYLE



CAPACITY 0" TO 3/4"
FEMALE THREAD
ACCURATE — FIRM — STRONG
DESIGNED FOR THREAD MOUNTING
MOTOR SPINDLE TO CHUCK



CHUCK KEY



ADAPTER
SEE PAGE O-28.

3-JAW CHUCK

| 3-JAW PART NO. | CHUCK CAPACITY | MOUNTING THREAD | MAX LENGTH | DIAMETER | KEY NUMBER | REF. | CHUCK REF. | ADAPTER MOTOR SPINDLE TO CHUCK |
|----------------|----------------|-----------------|------------|----------|------------|------|------------|--------------------------------|
| UDB-849106JC | 0 - 1/4 | 3/8 - 24 | 1-15/16 | 1-3/16 | UDB849101 | K1 | 1B | UDB-731301 |
| UDB-849108JC | 0 - 5/16 | 3/8 - 24 | 2-13/32 | 1-27/64 | UDB849130 | K30 | 30B | UDB-731301 |
| UDB-849109JC | 0 - 3/8 | 3/8 - 24 | 2-13/16 | 1-11/16 | UDB849102 | K2 | 2B | UDB-731301 |
| UDB-849415JC | 5/64 - 1/2 | 1/2 - 20 | 3-3/32 | 1-15/16 | UDB849132 | K32 | 33B | UDB-731302 |
| UDB-849764JC | 3/16 - 3/4 | 3/4 - 16 | 4-1/8 | 2-9/16 | UDB849104 | K4 | 36B | UDB-731304 |

Fluid Chucks and Swivels

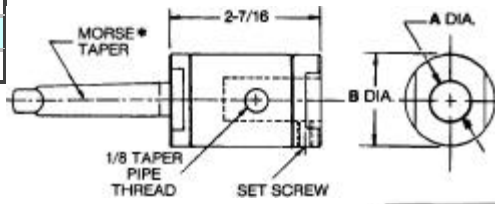
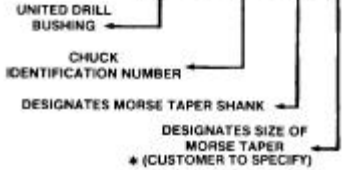
Air Fluid Tapered Shank Chucks & Fluid Swivels

| PART NO. | A DIA. | B DIA. |
|---------------------|--------|--------|
| UDB-621205-MT-(x) * | .5005 | 1.437 |
| UDB-621209-MT-(x) * | .7505 | 1.938 |
| UDB-621212-MT-(x) * | 1.0005 | 1.938 |

*(CUSTOMER SPECIFIES)

HOW TO ORDER

UDB - 621205 MT (3)



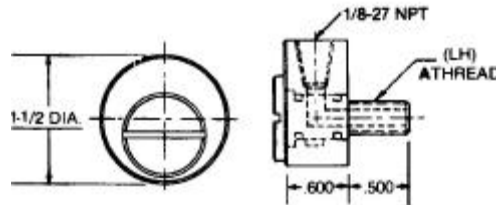
AIR FLUID CHUCK TYPE VI



QUALITY ASSURED HARDENED ALLOY STEEL
PRECISION GROUND BRONZE SLEEVE
CONCENTRIC CLOSE TOLERANCE
TESTED AT 100 PSI FOR LEAKS

WE RECOMMEND YOU USE SPINDLE GUARDS.

| PART NO. | A THD | REF. |
|-----------|------------|--------|
| UDB-MFS-1 | 1/4 28 LH | 621172 |
| UDB-MFS-2 | 7/16 20 LH | 611126 |



MALE FLUID SWIVEL



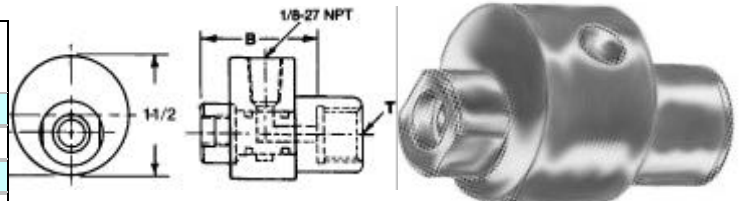
QUALITY ASSURED HARDENED ALLOY STEEL PRECISION GROUND BRONZE SLEEVE
CONCENTRIC CLOSE TOLERANCE TESTED AT 100 PSI FOR LEAKS

**FOR RIGHT ANGLE MOTORS
ADAPTS DIRECTLY TO SPINDLE O.D. THREAD**

| PART NO. | T LH THD | RIGHT-ANGLE MOTOR NO. | INDUSTRY REFERENCE | A | B |
|-----------|----------|-----------------------|--------------------|-----|------|
| UDB-FFS-1 | 7/8 18 | 158QGDA-RA-SU | 621448-0 | .62 | .81 |
| UDB-FFS-2 | 7/8 27 | 158QGDA-RA-SU | 621450-6 | .62 | .81 |
| UDB-FFS-3 | 7/8 36 | 158QGDA-RA-SU | 621449-8 | .62 | .81 |
| UDB-FFS-4 | 1/2 22 | 158QDA-RA-SU | 621172-6 | .62 | 1.12 |

SPECIAL SIZES AVAILABLE FOR OTHER SPINDLE THREADS.

FEMALE FLUID SWIVEL



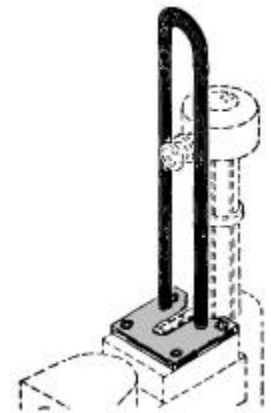
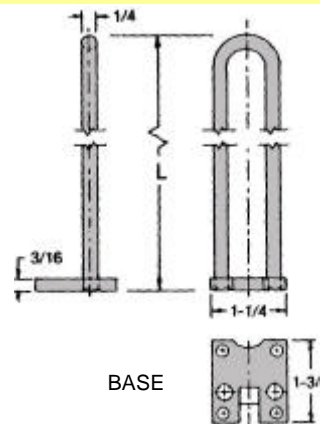
QUALITY ASSURED HARDENED ALLOY STEEL PRECISION GROUND BRONZE SLEEVE
CONCENTRIC CLOSE TOLERANCE TESTED AT 100 PSI FOR LEAKS

SPINDLE GUARD FOR FLUID SWIVEL GUIDES

**PROTECTS SPINDLE, COOLANT LINE,
AND AIR FLUID CHUCKS**

**FITS QUACKENBUSH, ROCKWELL
AND COOPER RIGHT ANGLE MOTORS.**

| PART NO. | L HEIGHT |
|------------|----------|
| UDB-170906 | 6 |
| UDB-170995 | 8-7/8 |
| UDB-170996 | 4-1/4 |



Morse Taper Adapters

Morse Taper Adapters Male and Female Styles

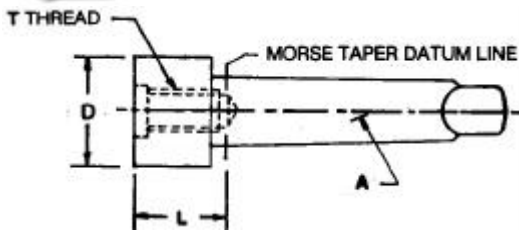
MORSE TAPER ADAPTERS (MALE)

FOR DRILL MOTORS TO CHUCKS

LARGE HEAD WITH FEMALE THREAD



STYLE I



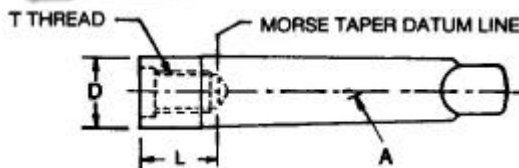
ALLOY STEEL HEAT TREATED PRECISION GROUND BLACK OXIDE FINISH

| UNITED PART NO. | A *MORSE TAPER | T THD | D DIA | L LENGTH | STYLE |
|-----------------|----------------|-----------|-------|----------|-------|
| UDB-619901 | #1 | 3/8 - 24 | .62 | .75 | I |
| UDB-619902 | #1 | 9/16 - 18 | .75 | 1.00 | I |
| UDB-619903 | #2 | 3/8 - 24 | .75 | .37 | II |
| UDB-619904 | #2 | 9/16 - 18 | .75 | .50 | II |
| UDB-619905 | #3 | 3/8 - 24 | 1.00 | .37 | II |
| UDB-619906 | #3 | 9/16 - 18 | 1.00 | .50 | II |
| UDB-619907 | #3 | 3/4 - 16 | 1.00 | .50 | II |
| UDB-619908 | #4 | 3/8 - 24 | 1.25 | .37 | II |
| UDB-619909 | #4 | 9/16 - 18 | 1.25 | .50 | II |
| UDB-619910 | #4 | 3/4 - 16 | 1.25 | .50 | II |
| UDB-619410 | #3 | 3/4 - 16 | | 1.12 | III |
| UDB-619822 | #4 | 3/4 - 16 | | 1.12 | III |
| UDB-619825 | #5 | 3/4 - 16 | | 1.12 | III |

HEADLESS WITH FEMALE THREAD



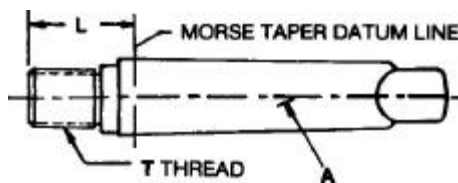
STYLE II



HEADLESS WITH MALE THREAD



STYLE III



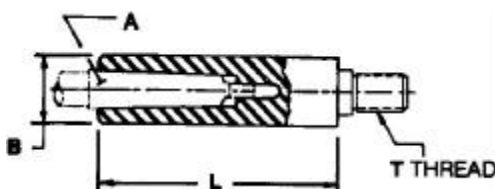
* MORSE TAPER REFERENCE

| MORSE TAPER | DIAMETER AT DATUM LINE |
|-------------|------------------------|
| #1 | .475 |
| #2 | .700 |
| #3 | .938 |
| #4 | 1.231 |
| #5 | 1.748 |

MORSE TAPER ADAPTERS (FEMALE)

MORSE TAPER I.D. WITH STRAIGHT SHANK AND MALE THREAD

ALLOY STEEL HEAT TREATED PRECISION GROUND BLACK OXIDE FINISH

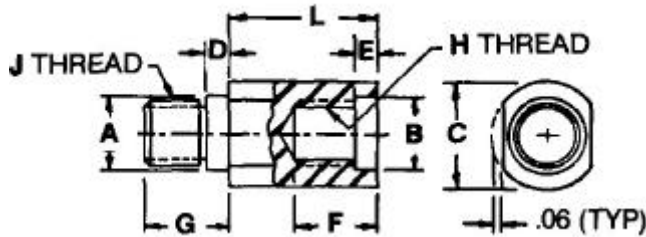


| UNITED PART NO. | A *MORSE TAPER | T THD | L LENGTH | B DIA | FOR DRILL MOTORS: |
|-----------------|----------------|-----------|----------|-------|---------------------------------------|
| UDB-613542 | #1 | 3/8 - 24 | 3.00 | 1.00 | QDA-10/10C/10CHD. QDP-15A/27A. QCO-B2 |
| UDB-619533 | #1 | 9/16 - 18 | 3.00 | 1.00 | QDA-111/12. 158QGDA-RA-SU |
| UDB-612934 | #2 | 3/8 - 24 | 3.56 | 1.25 | QDA-10/10C. QDP-15A/27A |
| UDB-619405 | #2 | 9/16 - 18 | 3.56 | 1.25 | QDA-111/12. 158QGDA-RA-SU |
| UDB-619832 | #2 | 3/4 - 16 | 3.56 | 1.25 | QDA-13/14/16 |
| UDB-619406 | #3 | 9/16 - 18 | 4.44 | 1.25 | QDA-111/12. 158QGDA-RA-SU |
| UDB-619819 | #3 | 3/4 - 16 | 4.44 | 1.25 | QDA-13/14/16 |
| UDB-619820 | #4 | 3/4 - 16 | 5.31 | 2.00 | QDA-13/14/16 |

Nosepiece Spindle Extensions & Adapters

Spindle Extensions/
and Adapters

ADAPTER - SPINDLE EXTENSIONS



'L' VARIES FROM 1" TO 3"

SPECIAL LENGTHS AVAILABLE.

ALLOY STEEL HEAT TREATED
BLACK OXIDE FINISH

For Coolant Style, add 'C' to Part No.



| PART NO. Suffix = 'L' Length | A DIA | B DIA | C DIA | D LEN | E LEN | F DEPTH | G LEN | H FEMALE THD | H MALE THD |
|---------------------------------|-------------|-------------|----------|----------|----------|------------|----------|-----------------|---------------|
| UDB-731201- 1 | .3908 .3903 | .3910 .3915 | .62 | .125 | .162 | .57 | .50 | 3/8 - 24 | 3/8 - 24 |
| UDB-731201 1-1/4 | | | | | | | | | |
| UDB-731201 1-1/2 | | | | | | | | | |
| UDB-731201 1-3/4 | | | | | | | | | |
| UDB-731201 2 | | | | | | | | | |
| UDB-731201 2-1/4 | | | | | | | | | |
| UDB-731201 2-1/2 | | | | | | | | | |
| UDB-731201 2-3/4 | | | | | | | | | |
| UDB-731201 3 | | | | | | | | | |
| UDB-731202- 1 | .5944 .5939 | .5946 .5952 | 1.00 | .156 | .217 | .68 | .62 | 9/16 - 18 | 9/16 - 18 |
| UDB-731202 1-1/4 | | | | | | | | | |
| UDB-731202 1-1/2 | | | | | | | | | |
| UDB-731202 1-3/4 | | | | | | | | | |
| UDB-731202 2 | | | | | | | | | |
| UDB-731202 2-1/4 | | | | | | | | | |
| UDB-731202 2-1/2 | | | | | | | | | |
| UDB-731202 2-3/4 | | | | | | | | | |
| UDB-731202 3 | | | | | | | | | |
| UDB-731203 1-1/4 | .7748 .7743 | .7750 .7755 | 1.25 | .234 | .271 | .96 | .88 | 3/4 - 16 | 3/4 - 16 |
| UDB-731203 1-1/2 | | | | | | | | | |
| UDB-731203 1-3/4 | | | | | | | | | |
| UDB-731203 2 | | | | | | | | | |
| UDB-731203 2-1/4 | | | | | | | | | |
| UDB-731203 2-1/2 | | | | | | | | | |
| UDB-731203 2-3/4 | | | | | | | | | |
| UDB-731203 3 | | | | | | | | | |

TYPE I



TYPE II



TYPE III



ADAPTER - MOTOR TO NOSEPIECE

| PART NO. | T MOTOR THD LH | T1 NOSEPIECE THD LH | A DIA | B DIA | L LEN | TYPE |
|------------|-------------------|------------------------|----------|----------|----------|------|
| UDB-614240 | 1-9/16 - 20 | 1-9/16 - 20 | 1.15 | 1.75 | .85 | III |
| UDB-614244 | 1-9/16 - 20 | 1.825 - 18 | 1.19 | 2.00 | 1.50 | I |
| UDB-614228 | 1-9/16 - 20 | 2-1/4 - 20 | 1.19 | 2.50 | 1.59 | I |
| UDB-614658 | 1-9/16 - 20 | 2-1/4 - 20 | 1.25 | 2.37 | 1.37 | II |
| UDB-614801 | 1-9/16 - 20 | 2-11/16 - 16 | 1.25 | 3.37 | 1.37 | II |
| UDB-622401 | 1-37/64 - 18 | 1 - 20 | .75 | 1.75 | .87 | I |

FOR OTHER ADAPTER STYLES,
SEE PAGE O-14.

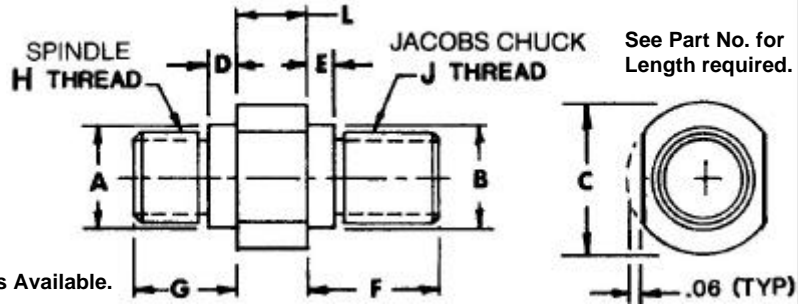
ALLOY STEEL HEAT TREATED
BLACK OXIDE FINISH



Adapters

Adapts Air Motors Spindles to Chucks

ADAPTERS—SPINDLES to THREE JAW CHUCKS & FEMALE FLUID CHUCK to SPINDLES



For Coolant Style, add 'C' to Part No.

ALLOY STEEL - HEAT TREATED - PRECISION GROUND - BLACK OXIDE FINISH

| PART NO. (Suffix = 'L' Length) | A DIAMETER | B DIAMETER | C DIAMETER | D LENGTH | E LENGTH | F LENGTH | G LENGTH | J DRILL CHUCK THREAD | H SPINDLE THREAD | | | | | | | | | |
|-----------------------------------|---------------|---------------|---------------|-------------|-------------|-------------|-------------|----------------------------|------------------------|-------------|-------------|------|------|------|-----|-----|----------|-----------|
| UDB-731301 - 1/4 | | | | | | | | | | | | | | | | | | |
| UDB-731301 - 1/2 | | | | | | | | | | | | | | | | | | |
| UDB-731301 - 3/4 | | | | | | | | | | | | | | | | | | |
| UDB-731301 - 1 | | | | | | | | | | | | | | | | | | |
| UDB-731301 - 1-1/4 | .3908 .3903 | .3798 .3793 | .62 | .125 | .108 | .56 | .50 | 3/8 - 24 | 3/8 - 24 | | | | | | | | | |
| UDB-731301 - 1-1/2 | | | | | | | | | | | | | | | | | | |
| UDB-731301 - 1-3/4 | | | | | | | | | | | | | | | | | | |
| UDB-731301 - 2 | | | | | | | | | | | | | | | | | | |
| UDB-731301 - 2-1/4 | | | | | | | | | | | | | | | | | | |
| UDB-731301 - 2-1/2 | | | | | | | | | | | | | | | | | | |
| UDB-731301 - 2-3/4 | | | | | | | | | | | | | | | | | | |
| UDB-731301 - 3 | | | | | | | | | | | | | | | | | | |
| UDB-731302 - 1/4 | | | | | | | | | | | | | | | | | | |
| UDB-731302 - 1/2 | | | | | | | | | | .5944 .5939 | .5048 .5043 | 1.00 | .156 | .108 | .62 | .62 | 1/2 - 20 | 9/16 - 18 |
| UDB-731302 - 3/4 | | | | | | | | | | | | | | | | | | |
| UDB-731302 - 1 | | | | | | | | | | | | | | | | | | |
| UDB-731302 - 1-1/4 | | | | | | | | | | | | | | | | | | |
| UDB-731302 - 1-1/2 | | | | | | | | | | | | | | | | | | |
| UDB-731302 - 1-3/4 | | | | | | | | | | | | | | | | | | |
| UDB-731302 - 2 | | | | | | | | | | | | | | | | | | |
| UDB-731302 - 2-1/4 | | | | | | | | | | | | | | | | | | |
| UDB-731302 - 2-1/2 | | | | | | | | | | | | | | | | | | |
| UDB-731302 - 2-3/4 | | | | | | | | | | | | | | | | | | |
| UDB-731302 - 3 | | | | | | | | | | | | | | | | | | |
| UDB-731303 - 1/4 | | | | | | | | | | | | | | | | | | |
| UDB-731303 - 1/2 | .5944 .5939 | .7548 .7543 | 1.25 | .156 | .143 | .62 | .62 | 3/4 - 16 | 9/16 - 18 | | | | | | | | | |
| UDB-731303 - 3/4 | | | | | | | | | | | | | | | | | | |
| UDB-731303 - 1 | | | | | | | | | | | | | | | | | | |
| UDB-731303 - 1-1/4 | | | | | | | | | | | | | | | | | | |
| UDB-731303 - 1-1/2 | | | | | | | | | | | | | | | | | | |
| UDB-731303 - 1-3/4 | | | | | | | | | | | | | | | | | | |
| UDB-731303 - 2 | | | | | | | | | | | | | | | | | | |
| UDB-731303 - 2-1/4 | | | | | | | | | | | | | | | | | | |
| UDB-731303 - 2-1/2 | | | | | | | | | | | | | | | | | | |
| UDB-731303 - 2-3/4 | | | | | | | | | | | | | | | | | | |
| UDB-731303 - 3 | | | | | | | | | | | | | | | | | | |
| UDB-731304 - 1/4 | | | | | | | | | | | | | | | | | | |
| UDB-731304 - 1/2 | .7748 .7743 | .7548 .7543 | 1.25 | .234 | .143 | .62 | .88 | 3/4 - 16 | 3/4 - 16 | | | | | | | | | |
| UDB-731304 - 3/4 | | | | | | | | | | | | | | | | | | |
| UDB-731304 - 1 | | | | | | | | | | | | | | | | | | |
| UDB-731304 - 1-1/4 | | | | | | | | | | | | | | | | | | |
| UDB-731304 - 1-1/2 | | | | | | | | | | | | | | | | | | |
| UDB-731304 - 1-3/4 | | | | | | | | | | | | | | | | | | |
| UDB-731304 - 2 | | | | | | | | | | | | | | | | | | |
| UDB-731304 - 2-1/4 | | | | | | | | | | | | | | | | | | |
| UDB-731304 - 2-1/2 | | | | | | | | | | | | | | | | | | |
| UDB-731304 - 2-3/4 | | | | | | | | | | | | | | | | | | |
| UDB-731304 - 3 | | | | | | | | | | | | | | | | | | |