

UniGrip Vertical Toggles

Over 200 Clamp Variations Available
Standard Height Series

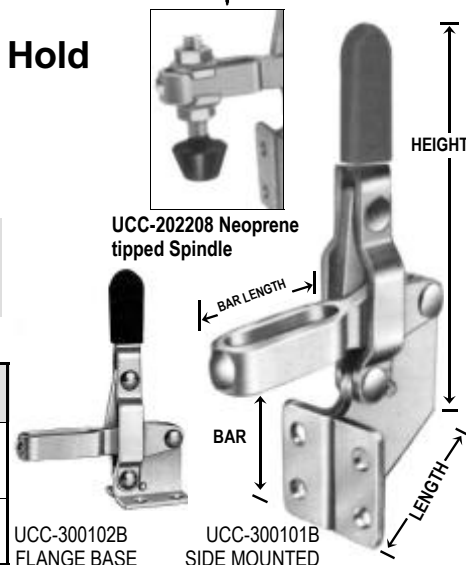
Standard Verticals

UCC-300101 Series Vertical Toggle Clamps — Extra Hold

Supplied with UCC-202208 Neoprene-tipped Spindle and washers
Will free up space on fixtures. Handle moves 65°, Bar moves 90°.
For higher clearance requirements, add a 1" wide steel strap to raise.
Designed for SIDE MOUNTING. **220 lb. Capacity.**

Side mounted small Vertical Hold Down Clamp.
Furnished with U-shaped Hold Down Bar and flanged washers.

| UNITED Part No. | Overall Height | Overall Length | Hole Pattern & Base | Bar Height | Bar Len & Type | Weight | Holding Capacity | # Holes & Size | Cross Ref. |
|--------------------------------|---------------------|----------------|--|------------|------------------|-------------------|------------------|----------------|------------------------|
| UCC-300101B STRAIGHT HANDLE | 4-11/16 VERTICAL | 2-11/16 | 25/32 x 35/64 SIDE MOUNT FLANGE BASE | 1-49/64 | 1-17/32 U-BAR | 4.8 oz. (135g) | 220 lbs. | 4 3/16 | NONE NONE GH101B |
| UCC-300102B STRAIGHT HANDLE | 3-21/32 VERTICAL | 2-11/16 | 45/64 x 35/64 FLANGE BASE | 3/4 | 1-17/32 U-BAR | 4.5 oz. (115g) | 220 lbs. | 4 3/16 | NONE NONE GH102B |

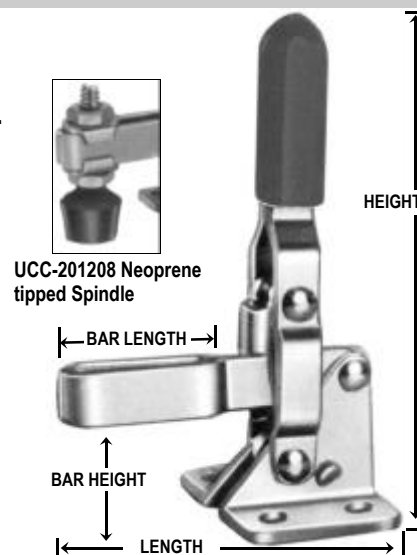


UCC-300201 Series Vertical Toggle Clamps

Supplied with UCC-201208 Neoprene tipped Spindle. For lighter applications.
Affordable Space Savers! Bar opens 100°. Handle moves 56°. **100 lb. Capacity.**

UNITED's Smallest Vertical Hold Down Clamp saves space. Flange Base furnished with U-shaped Hold Down Bar and flanged washers.

| UNITED Part No. | Overall Height | Overall Length | Hole Pattern & Base | Bar Height | Bar Length & Type | Weight | Holding Capacity | # Holes & Size | Cross Ref. |
|--------------------------------|--------------------|----------------|-------------------------|------------|-------------------|----------------|------------------|----------------|-----------------------------|
| UCC-300201 STRAIGHT HANDLE | 3" VERTICAL | 2" | 5/8 x 15/16 FLANGE | 5/8 | 1" U-BAR | 2 oz. (60g) | 100 lbs. | 4 3/16 | 201 CL150 VTC GH101A |
| UCC-300201T T- HANDLE | 2-1/4" VERTICAL | 2" | 5/8 x 15/16 FLANGE | 5/8 | 1" U-BAR | 2 oz. (60g) | 100 lbs. | 4 3/16 | 201T CL152 VTC GH101T |
| UCC-300201B STRAIGHT HANDLE | 3" VERTICAL | 2" | 5/8 x 15/16 STRAIGHT | 7/8 | 1" U-BAR | 2 oz. (60g) | 100 lbs. | 4 3/16 | 201B CL151VTC GH101AI |

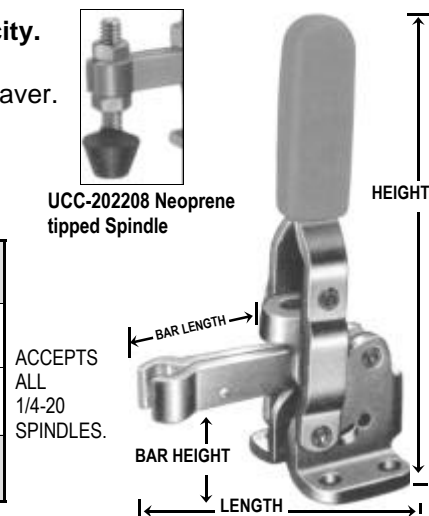


UCC-300202 Series Vertical Toggle Clamps 200 lb. Capacity.

Supplied with UCC-202208 Neoprene-tipped Spindles. Holds Spindle in fixed location. Vinyl Grip Handle moves 65°, Bar opens 100°. Space and clearance saver.

The Two Bar Style allows spindle to be fixed or adjustable. Extra Hold.

| UNITED Part No. | Overall Height | Overall Length | Hole Pattern & Base | Bar Height | Bar Length & Type | Weight | Holding Capacity | # Holes & Size | Cross Ref. |
|--------------------------------|---------------------|----------------|-------------------------------|------------|------------------------|-----------------|------------------|----------------|------------------------------|
| UCC-300202 STRAIGHT HANDLE | 3-3/4 VERTICAL | 2-17/32 | 1/2 x 1-1/16 FLANGE BASE | 29/32 | 1-17/32 J-BAR FIXED | 6 oz. (170g) | 200 lbs. | 4 13/64 | 202 CL250 VTC GH12050 |
| UCC-300202T T- HANDLE | 2-13/16 VERTICAL | 2-17/32 | 1/2 x 1-1/16 FLANGE BASE | 29/32 | 1-17/32 J-BAR FIXED | 6 oz. (170g) | 200 lbs. | 4 13/64 | 202T CL252 VTC GH12070 |
| UCC-300202B STRAIGHT HANDLE | 3-15/16 VERTICAL | 2-17/32 | 1/2 x 1-1/16 STRAIGHT BASE | 29/32 | 1-17/32 U-BAR | 6 oz. (170g) | 200 lbs. | 4 13/64 | 202B CL251 VTC GH12055 |



Variable Bar Verticals

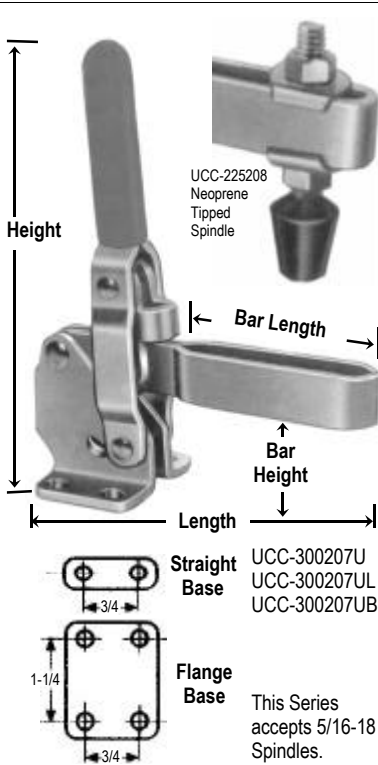
UniGrip Vertical Toggles

Our Broadest Series of Models The Most Popular Clamps!
500 Pound Capacity

UCC-300207 SERIES Straight and T-Handles. Straight and Flange Bases. U-Bars and Solid Bars. This series has 500 lbs. capacity. Series accept 5/16-18 Spindles. Solid Spindle Bars supplied with bolt retainers. Flange washers are provided with all U-Bars. Manufactured with Straight or Flanged Bases. Vinyl Handle is provided. Handle moves 60°, Bar moves 100°. Solid U-Bars are 5/8" high and 1/4" thick. Adjust 1/2" horizontally. Length of T-Handle is 3-5/8". Ergonomic Grips provided for greater comfort.

STRAIGHT HANDLE TOGGLES U-BAR & FLANGE BASE

This **UNITED** Series has many models of Bar, Handle and Base variations. Handles move 60° — Bars open 100°



| UNITED Part No. | Overall Height | Overall Length | Hole Pattern & Base | Bar Height | Bar Length & Type | Weight | # Holes & Size | Cross Ref. |
|----------------------------------|-------------------|----------------|-------------------------|------------|---------------------|-----------------|----------------|-------------------------------------|
| UCC-300207U Straight Handle | 5-1/2 Vertical | 4-9/16 | 3/4 x 1-1/4 Flange | 1-1/4 | 2-13/16 U-Bar | 12.5 oz. (355g) | 4 9/32 | 207U CL450 VTC GH12130 |
| UCC-300207TU T-Handle | 4-1/4 Vertical | 4-9/16 | 3/4 x 1-1/4 Flange | 1-1/4 | 2-13/16 U-Bar | 13 oz. (370g) | 4 9/32 | 207TU CL452 VTC GH12131 |
| UCC-300207UL Straight Handle | 5-1/2 Vertical | 5-1/2 | 3/4 x 1-1/4 Flange | 1-1/4 | 3-3/4 Long U-Bar | 13 oz. (370g) | 4 9/32 | 207UL CL453 VTC GH12132 |
| UCC-300207UB Straight Handle | 6" Vertical | 4-9/16 | 3/4 x 1-1/4 Straight | 1-1/2 | 2-13/16 U-Bar | 12.5 oz. (355g) | 2 9/32 | 207UB CL451 VTC GH12135 |
| UCC-300207LB Straight Handle | 6" Vertical | 5-3/16 | 3/4 x 1-1/4 Straight | 1-1/2 | 3-7/16 Solid | 12.5 oz. (355g) | 2 9/32 | 207LB NONE GH12147 |
| UCC-300207S Straight Handle | 5-1/2 Vertical | 4" | 3/4 x 1-1/4 Flange | 1-1/4 | 2-1/4 Solid | 12.0 oz. (341g) | 4 9/32 | 207S CL350 VTC GH12140 |
| UCC-300207SB Straight Handle | 6" Vertical | 4" | 3/4 x 1-1/4 Straight | 1-1/2 | 2-1/4 Solid | 24 oz. (680g) | 2 9/32 | 207SB CL351 VTC GH12145 |
| UCC-300207TS T-Handle | 4-1/4 Vertical | 4" | 3/4 x 1-1/4 Flange | 1-1/4 | 2-1/4 Solid | 25.9 oz. (740g) | 4 9/32 | 207TS CL352 VTC GH12141 |
| UCC-300207L Straight Handle | 5-1/2 Vertical | 5" | 3/4 x 1-1/4 Flange | 1-1/4 | 2-1/4 Solid | 12.5 oz. (355g) | 2 9/32 | 207L CL353 VTC GH12142 |
| UCC-300207USS Straight Handle | 5-1/2 Vertical | 4-9/16 | 3/4 x 1-1/4 Flange | 1-1/4 | 2-1/4 Solid | 12.5 oz. (355g) | 4 9/32 | 207USS CL450 VTC-S GH12130-SS |

STRAIGHT HANDLE TOGGLES SOLID BAR & FLANGE BASE

STRAIGHT HANDLE TOGGLES SOLID BAR & STRAIGHT BASE

T-HANDLE TOGGLES U-BAR & STRAIGHT BASE

T-HANDLE TOGGLES SOLID BAR & FLANGE BASE



All UNITED TOGGLE CLAMPS on this page are provided with the appropriate Bolt Retainer or U-Washers and Retainers. Retainers furnished with each solid bar style. Two flanged washers supplied with each toggle U-Bar style. Appropriate Spindles provided with each Toggle Clamp.

UniGrip Vertical Toggles

Our Stronger Series of Models The Most Durable Clamps!
Larger 750 Pound Capacity

Larger Capacity
Vertical Toggles

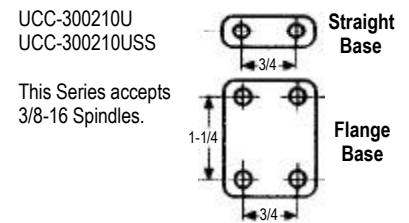
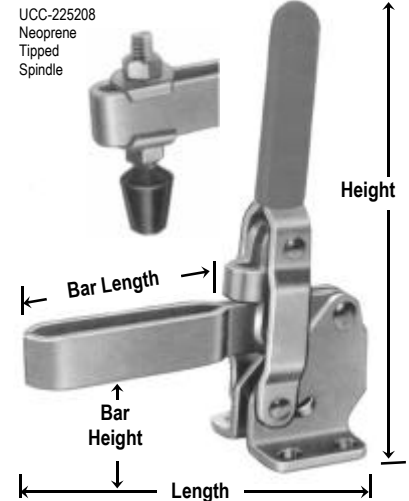
UCC-300210 SERIES Straight and T-Handles. Straight and Flange Bases. U-Bars and Solid Bars.

This series has 750 lbs. capacity. Series accept 3/8-16 Spindles. Solid Spindle Bars supplied with bolt retainers. Flange washers are provided with all U-Bars. Manufactured with Straight or Flanged Bases. Vinyl Handle is provided. Handle moves 58°, Bar opens 105°. Solid U-Bars are 3/4" high and 5/16" thick. Adjusts 2-9/16" horizontally. Length of T-Handle is 3-5/8". Ergonomic Grips provided for greater comfort.

This UNITED Larger Capacity Series has many models of Bar, Handle and Base variations. Handles move 58° — Bars open 105°

| UNITED Part No. | Overall Height | Overall Length | Hole Pattern & Base | Bar Height | Bar Length & Type | Weight | # Holes & Size | Cross Ref. |
|----------------------------------|-------------------|----------------|-----------------------------|------------|-------------------|-----------------|----------------|-------------------------------------|
| UCC-300210U Straight Handle | 7-1/2 Vertical | 5-17/32 | 1-1/4 x 1-25/32 Flange | 1-11/16 | 3-19/32 U-Bar | 22.4 oz. (636g) | 4 21/64 | 210U CL650 VTC GH12265 |
| UCC-300210SB Straight Handle | 8" Vertical | 5-17/32 | 1-1/4 x 1-25/32 Straight | 2-3/16 | 3-19/32 Solid | 24 oz. (680g) | 2 21/64 | 210SB CL551 VTC GH12280 |
| UCC-300210US Straight Handle | 7-1/2 Vertical | 5-17/32 | 1-1/4 x 1-25/32 Flange | 1-11/16 | 3-19/32 Solid | 24 oz. (680g) | 4 21/64 | 210S CL550 VTC GH12275 |
| UCC-300210TU T-Handle | 6-1/4 Vertical | 5-17/32 | 1-1/4 x 1-25/32 Flange | 1-11/16 | 3-19/32 U-Bar | 25 oz. (710g) | 4 21/64 | 210TU CL452 VTC GH12285 |
| UCC-300210TS T-Handle | 5-1/4 Vertical | 5-17/32 | 1-1/4 x 1-25/32 Flange | 1-11/16 | 3-19/32 Solid | 25.9 oz. (740g) | 4 21/64 | 210TS CL552 VTC GH12295 |
| UCC-300210UB Straight Handle | 8" Vertical | 5-17/32 | 1-1/4 x 1-25/32 Straight | 2-3/16 | 3-19/32 U-Bar | 23.4 oz. (665g) | 2 21/64 | 210UB CL651 VTC GH12270 |
| UCC-300210TUB T-Handle | 6" Vertical | 5-17/32 | 1-1/4 x 1-25/32 Straight | 2-3/16 | 3-19/32 Solid | 25 oz. (710g) | 2 21/64 | 210TUB NONE GH12290 |
| UCC-300210TSB T-Handle | 6" Vertical | 5-17/32 | 1-1/4 x 1-25/32 Straight | 2-3/16 | 3-19/32 U-Bar | 25.9 oz. (740g) | 4 21/64 | 210TSB NONE GH12300 |
| UCC-300210USS Straight Handle | 7-1/2 Vertical | 5-17/32 | 1-1/4 x 1-25/32 Flange | 1-11/16 | 3-19/32 U-Bar | 25.9 oz. (740g) | 4 21/64 | 210USS CL650 VTC-S GH12265-SS |

STRAIGHT HANDLE TOGGLES U-BAR AND FLANGE BASE



T-HANDLE TOGGLES U-BAR & FLANGE BASE



T-HANDLE TOGGLES SOLID BAR & FLANGE BASE



STRAIGHT HANDLE TOGGLES SOLID BAR & STRAIGHT BASE



T-HANDLE TOGGLES U-BAR & STRAIGHT BASE



STRAIGHT HANDLE TOGGLES SOLID BAR & FLANGE BASE



STRAIGHT HANDLE TOGGLES U-BAR & STRAIGHT BASE



T-HANDLE TOGGLES SOLID BAR & STRAIGHT BASE

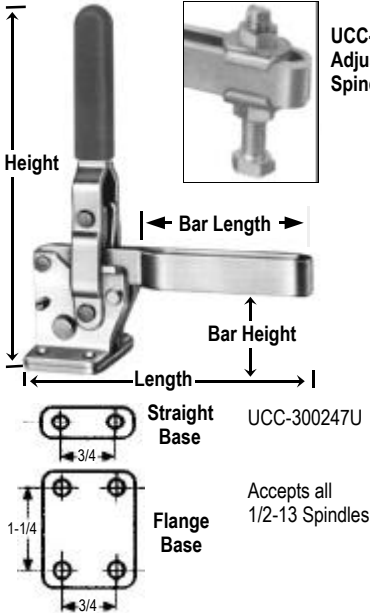


Vertical Toggles High Capacity

Heavy Duty 1000 Lb. & 1200 Lb. Capacity

UCC-300247 SERIES HEAVY DUTY — Large 1000 lb. Capacity — Solid and U-Bars — Straight & Flange Bases
Holding capacity 1000 lbs. max. Heavy Duty design. Handle moves 58°, Bar opens 100° with pin in bottom stop hole. In the top stop hole, the Handle moves 70° and the Bar opens 135°.

Supplied with adjustable spindle. See Spindle Section for selection. (Accepts all 1/2-13 dia. spindles)



Bar Guide features greater stability. 1000 pound Capacity. Bolt retainer furnished on Solid Bar models. Bushings and Pins are hardened.

| UNITED Part No. | Overall Height | Overall Length | Hole Pattern & Base | Bar Height | Bar Length & Type | Weight | # Holes & Size | Cross Ref. |
|---------------------------------|-------------------|----------------|-----------------------------|------------|-------------------|----------------|----------------|-------------------------------|
| UCC-300247U STRAIGHT HANDLE | 8-7/8 VERTICAL | 6-15/16 | 1-1/4 x 1-25/32 FLANGE | 2" | 4-15/16 U-BAR | 44 oz. (1250g) | 4 11/32 | 247U CL850 VTC GH10247 |
| UCC-300247S STRAIGHT HANDLE | 8-7/8 VERTICAL | 6-15/16 | 1-1/4 x 1-25/32 FLANGE | 2" | 4-15/16 SOLID | 44 oz. (1250g) | 4 11/32 | 247S CL750 VTC GH10249 |
| UCC-300247SB STRAIGHT HANDLE | 9" VERTICAL | 6-15/16 | 1-1/4 x 1-25/32 STRAIGHT | 2-1/4" | 4-15/16 SOLID | 44 oz. (1250g) | 2 11/32 | 247SB CL751 VTC GH10250 |
| UCC-300247UB STRAIGHT HANDLE | 9" VERTICAL | 6-15/16 | 1-1/4 x 1-25/32 STRAIGHT | 2-1/4" | 4-15/16 U-BAR | 44 oz. (1250g) | 2 11/32 | 247UB CL851 VTC GH10248 |

**STRAIGHT HANDLE TOGGLES
U- BAR & STRAIGHT BASE**



UCC-300247UB

**STRAIGHT HANDLE TOGGLES
SOLID BAR & STRAIGHT BASE**



UCC-300247SB

**STRAIGHT HANDLE TOGGLES
SOLID BAR & FLANGE BASE**



UCC-300247S
UCC-300267

**STRAIGHT HANDLE TOGGLES
U-BAR & FLANGE BASE**



UCC-300247U
UCC-300267U

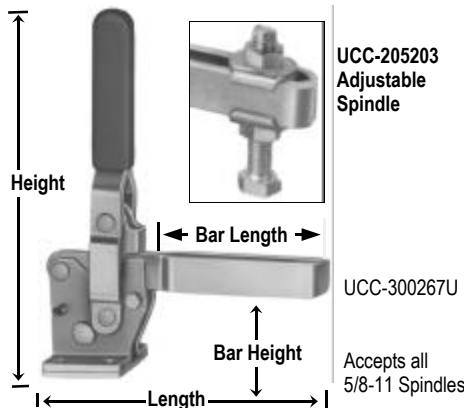
UCC-300267 SERIES HEAVY DUTY — Largest 1200 lb. Capacity Vertical Toggles—Solid & U-Bars—Flange Base

Holding capacity 1200 lbs. max. Heavy Duty design. Handle moves 70°, Bar opens 140° with pin in bottom stop hole.

In the top stop hole, the Handle moves 56° and the Bar opens 100°. Accepts all 5/8-11 diameter spindles

Supplied with adjustable spindle, bolt retainer and flanged washers. See Spindle Section for appropriate selections.

Ergonomic vinyl hand grip.



Bar Guide features greater stability. 1200 pound Capacity. Bolt retainer furnished on Solid Bar models. Bushings and Pins are hardened.

| UNITED Part No. | Overall Height | Overall Length | Hole Pattern & Base | Bar Height | Bar Length & Type | Weight | # Holes & Size | Cross Ref. |
|--------------------------------|-----------------|----------------|---------------------|------------|-------------------|----------|----------------|------------------------------|
| UCC-300267 STRAIGHT HANDLE | 12" VERTICAL | 9" | 2 x 2-3/4 FLANGE | 3-1/4" | 6" SOLID | 5.6 Lbs. | 4 31/64 | 267 CL950 VTC GH101JS |
| UCC-300267U STRAIGHT HANDLE | 12" VERTICAL | 9" | 2 x 2-3/4 FLANGE | 3-1/4" | 6" U-BAR | 5.6 Lbs. | 4 31/64 | 267U CL1050 VTC GH101J |

UniGrip Horizontal Toggles

The Ultimate in Quality Jig and Fixture Clamps
Miniature Height Series

Hold-Down and
Horizontal Handles

The Vertical Midget Toggle Clamp Series!

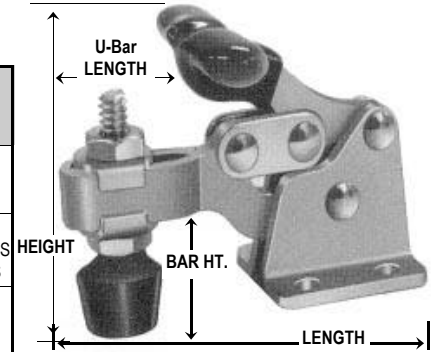
U-Flanged Base. Low silhouette hold down clamp can be operated from either side or behind with its unique handle. Great holding capacity for their size. Flange base with U-Bar and Spindle. Handle moves 175°, Bar 92°.

UCC-300305 HOLD-DOWN SERIES

150 to 350 lbs.
Capacity

Midget Space Saver!

| UNITED Part No. | Overall Ht. | Overall Length | Hole Pattern & Base | Bar Ht | Bar Length & Type | Weight | Holding Capacity | # Holes & Size | Cross Ref. |
|----------------------------------|-------------|----------------|----------------------|--------|-------------------|---------------|------------------|----------------|------------------------------|
| UCC-300305U VERTICAL | 1-7/16 | 2-1/4 | 17/32 x 7/8 FLANGE | 1/2 | 1-7/32 U-BAR | 2 oz. (43g) | 150 lbs. | 4 11/64 | 305U CL200 VTC GH13005 |
| UCC-300305USS VERTICAL Stainless | 1-7/16 | 2-1/4 | 1-17/32 x 5/8 FLANGE | 1/2 | 17/32 U-BAR | 1.5 oz. (43g) | 200 lbs. | 4 11/64 | 305USS CL200 VTC-S GH13005SS |
| UCC-300307U VERTICAL | 2-3/8 | 3-1/16 | 29/32 x 15/32 FLANGE | 7/8 | 2-9/16 U-BAR | 8 oz. (43g) | 350 lbs. | 4 1/4 | 307U NONE GH13007 |
| UCC-300309U VERTICAL | 3-1/2 | 3-3/16 | 1-3/8 x 1-1/2 FLANGE | 1-5/16 | 2-21/32 U-BAR | 22 oz. (43g) | 250 lbs. | 4 5/16 | 309U NONE GH13008 |



UCC-201208 Spindle Assembly
10-24 x 1-3/8

The smallest horizontal handle Bar Clamps!
U-Flanged Base. 60 lbs. Capacity.
Compact - Most economical - Ideal for holding sheet metal and circuit boards.
Handle moves 80°. Bar moves 90°.

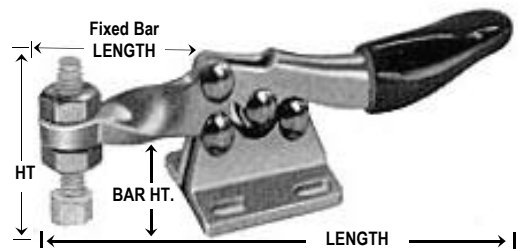


UCC-300205 HORIZONTAL SERIES

60 lbs.
Capacity

Holding Capacity 60 lbs. max. Supplied with UCC-105203 Nylon Spindle Assembly.

| UNITED Part No. | Overall Height | Overall Length | Hole Pattern & Base | Bar Height | Bar Length & Type | Weight | # Holes & Size | Cross Ref. |
|-------------------------|----------------|----------------|---------------------|------------|-------------------|---------------|----------------|-------------------------|
| UCC-300205S HORIZONTAL | 11/16 | 3-1/16 | 5/8 x 5/8 FLANGE | 3/8 | 11/16 FIXED BAR | 1.5 oz. (43g) | 4 11/64x17/64 | 205S CL150 HTC GH201A |
| UCC-300205SB HORIZONTAL | 7/8 | 3-3/16 | 5/8 x 5/8 STRAIGHT | 17/32 | 11/16 FIXED BAR | 1.5 oz. (43g) | 2 11/64x17/64 | 205SB CL151 HTC GH201AI |
| UCC-300205U HORIZONTAL | 11/16 | 3-1/16 | 5/8 x 5/8 FLANGE | 5/16 | 11/16 U-BAR | 1.5 oz. (43g) | 4 11/64x17/64 | 205U CL250 HTC GH201 |
| UCC-300205UB HORIZONTAL | 7/8 | 3-3/16 | 5/8 x 5/8 STRAIGHT | 17/32 | 11/16 U-BAR | 1.5 oz. (43g) | 2 11/64x17/64 | 205UB CL251 HTC GH201-I |



Silhouette — Minimum clearance Clamp
1-1/2" Overall height when closed.
Just the right size! 200 lbs. Capacity.

Holding Capacity 200 lbs. max.
Supplied with 1/4-20 x 1-3/4 UCC-202208 Neoprene-Tipped Spindle. The Correct Size Clamp for many applications!

UCC-300215 HORIZONTAL SERIES

SOLID BAR FLANGE BASE
UCC-300215S

SOLID BAR STRAIGHT BASE
UCC-300215SB

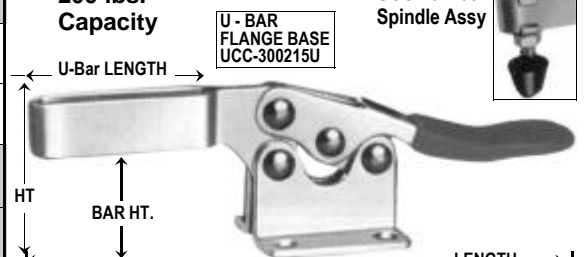
U-BAR STRAIGHT BASE
UCC-300215UB



| UNITED Part No. | Overall Height | Overall Length | Hole Pattern & Base | Bar Height | Bar Length & Type | Weight | # Holes & Size | Cross Ref. |
|-------------------------|----------------|----------------|-----------------------|------------|-------------------|----------------|----------------|-------------------------|
| UCC-300215U HORIZONTAL | 17/32 | 5-7/16 | 1-1/16 x 7/8 FLANGE | 1" | 2-5/16 U-BAR | 4.6 oz. (130g) | 4 7/32 | 215U CL 350 HTC GH201B |
| UCC-300215S HORIZONTAL | 1-17/32 | 5-7/16 | 1-1/16 x 7/8 FLANGE | 1" | 2-5/16 SOLID | 4.6 oz. (130g) | 4 7/32 | 215S CL 300 HTC GH201BS |
| UCC-300215SB HORIZONTAL | 1-15/16 | 5-7/16 | 1-1/16 x 7/8 STRAIGHT | 1-7/16 | 2-5/16 SOLID | 4.6 oz. (130g) | 2 7/32 | 215SB NONE GH201BSI |
| UCC-300215UB HORIZONTAL | 1-15/16 | 5-7/16 | 1-1/16 x 7/8 STRAIGHT | 1-7/16 | 2-5/16 U-BAR | 4.6 oz. (130g) | 2 7/32 | 215UB CL351 HTC GH201BI |

200 lbs.
Capacity

UCC-202208 Spindle Assy



Horizontal Handles

UniGrip Horizontal Toggles

Most Popular Horizontal Jig and Fixture Clamps
Flange/Straight Bases & Short/Long Bars or Bases

UCC-300225U Horizontal Toggle Clamps



UCC-300225UB



HANDLE MOVES 65° - BAR MOVES 90°

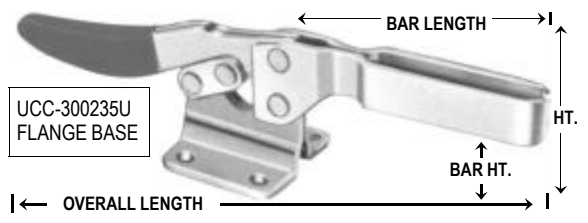
UCC-225208
Nylon Spindle
Assy

**500 lbs.
Capacity**

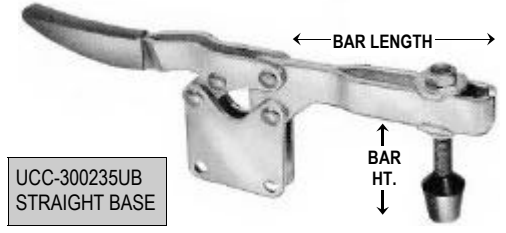
**U-Bar Flanged Base with increased holding capacity.
Most popular horizontal clamp.**
Holding Capacity 500 lbs. max. All styles supplied with 5/16-18 UCC-225208 Nylon Spindle Assembly.

| UNITED Part No. | Overall Height | Overall Length | Hole Pattern & Base | Bar Height | Bar Length & Type | Weight | # Holes & Size | Cross Ref. |
|------------------------------------|----------------|----------------|---------------------|------------|-------------------|----------------|----------------|-----------------------------|
| UCC-300225U HORIZONTAL | 1-27/32 | 6-19/32 | 1" x 7/8 FLANGE | 1-3/8 | 2-25/32 U-BAR | 9.4 oz. (265g) | 4 17/64 | 225U CL450 GH225D |
| UCC-300225USS HORIZONTAL STAINLESS | 1-27/32 | 6-19/32 | 1" x 7/8 FLANGE | 1-3/8 | 2-25/32 U-BAR | 9.4 oz. (265g) | 4 17/64 | 225USS CL450HTC-S GH 225DSS |
| UCC-300225UB HORIZONTAL | 2-7/32 | 6-19/32 | 1" x 7/8 STRAIGHT | 1-5/8 | 2-25/32 U-BAR | 9.4 oz. (265g) | 2 17/64 | 225UB CL 451HTC GH 225DI |

UCC-300235U Horizontal Toggle Clamps



UCC-300235UB



HANDLE MOVES 50° - BAR MOVES 85°



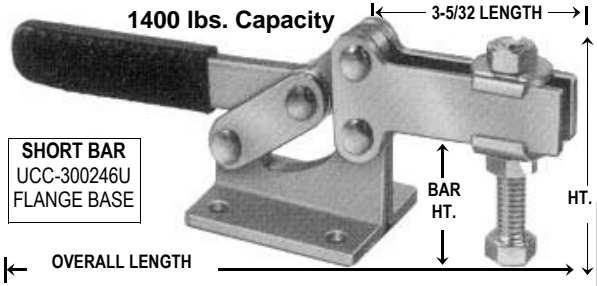
**750 lbs.
Capacity**
UCC-527208
Neoprene tipped
Spindle & Flanged
washers

**Adjustable Series with Vinyl Handle
Just the Clamp you need!**

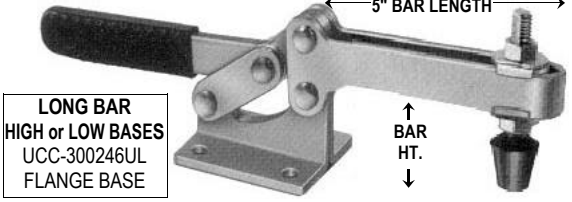
Holding Capacity 750 lbs. max. Supplied with 3/8-16 x 3-1/2 UCC-527208 Neoprene-Tipped Spindle with flanged washers, bolts and retainers.

| UNITED Part No. | Overall Height | Overall Length | Hole Pattern & Base | Bar Height | Bar Length & Type | Weight | # Holes & Size | Cross Ref. |
|------------------------------------|----------------|----------------|------------------------|------------|-------------------|-----------------|----------------|------------------------------|
| UCC-300235U HORIZONTAL | 2-1/2 | 10-3/8 | 1-5/8 x 1-5/8 FLANGE | 1-3/4 | 4-7/32 U-BAR | 22.6 oz. (640g) | 4 21/64 | 235U CL550 HTC GH20235 |
| UCC-300235USS HORIZONTAL STAINLESS | 2-1/2 | 10-3/8 | 1-5/8 x 1-5/8 FLANGE | 1-3/4 | 4-7/32 U-BAR | 22.6 oz. (640g) | 4 21/64 | 235USS CL550 HTC-S GH20235SS |
| UCC-300235UB HORIZONTAL | 2-29/32 | 10-3/8 | 1-5/8 x 1-5/8 STRAIGHT | 2-5/16 | 4-7/32 SOLID | 22.6 oz. (640g) | 2 21/64 | 235UB CL551 HTC GH20236 |

UCC-300246 Horizontal Toggle Clamps



UCC-300246UL



HANDLE MOVES 94° - BAR MOVES 90°

**Horizontal Heavy Duty Series with Vinyl Handle
Bigger and Better — No Competitor!**

Holding Capacity 1400 lbs. max. Supplied with a UCC-202203 or UCC-325203 Hex Adjustable Spindle Assembly. Constructed in extra thick tough steel with pivots and bushings hardened and ground for smooth action and long life.

| UNITED Part No. | Overall Height | Overall Length | Hole Pattern & Base | Bar Height & Type | Bar Length & Type | Wt. | # Holes & Size | Cross Ref. |
|--------------------------|----------------|----------------|-----------------------|-------------------|-------------------|-----------|----------------|----------------------|
| UCC-300246U HORIZONTAL | 2-25/32 | 11" | 2-1/4 x 2-1/64 FLANGE | 1-25/32 LOW BASE | 3-5/32 SHORT BAR | 2.6 LBS. | 4 3/8 | NONE NONE GH204-GB |
| UCC-300246UL HORIZONTAL | 2-25/32 | 12-3/4 | 2-1/4 x 2-1/64 FLANGE | 1-25/32 LOW BASE | 5" LONG BAR | 2.8 LBS. | 4 3/8 | NONE NONE GH204-GBL |
| UCC-300246ULH HORIZONTAL | 3-25/32 | 12-3/4 | 2-1/4 x 2-1/64 FLANGE | 2-25/32 HIGH BASE | 5" LONG BAR | 3.24 LBS. | 4 3/8 | NONE NONE GH204-GBLH |

L10

Quick Clean Economical!

UniGrip Hold-Down Side Mount, Pull-Action & Latch

Side Mount Hold-Down, Pull-Action & Latch

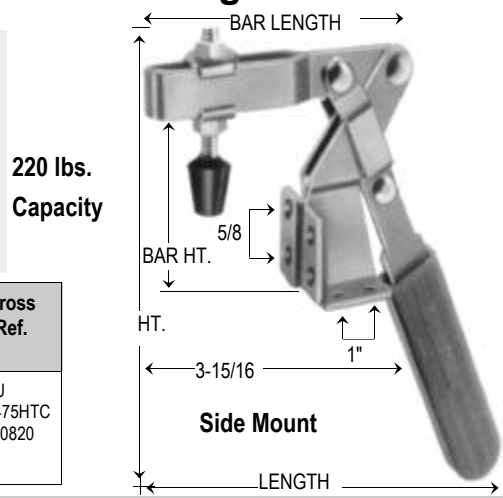
Hold-Down Action Clamp - Horizontal or Vertical Mounting UCC-300317U

Our **Hold-Down Clamps** have easy part loading with low silhouette and flexible mounting. **Opened bar completely clears work area.**

U-Bar and 5/16-18x24 bonded Neoprene tipped spindle UCC-225208 and washer assembly provided. Easy comfort vinyl grip.

220 lb. Capacity. Handle opens 60° - Bar opens 185°

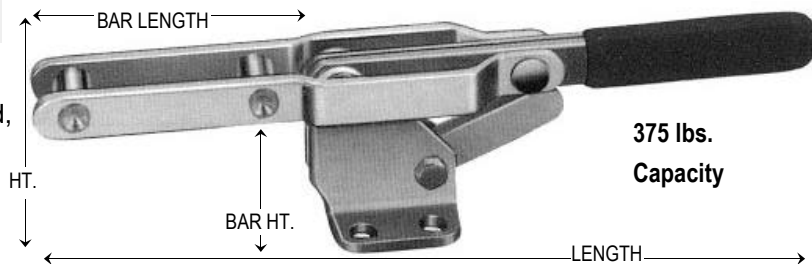
| UNITED Part No. | Overall Height | Overall Length | Hole Pattern & Base | Bar Height | Bar Length & Type | Weight | # Holes & Size | Holding Capacity | Cross Ref. |
|--|----------------|----------------|---------------------|------------|-------------------|--------|--|------------------|------------------------------|
| UCC-300317U HOLD DOWN SIDE MOUNT | 6-7/16 | 6-1/4 | 5/8x1" FLANGE | 2-3/4 | 4-15/32 U-BAR | 14 OZ. | 8 TOTAL 4 VERTICAL & 4 HORIZONTAL 17/64 | 220 lbs. | 317U CL-475HTC GH20820 |



Strong Secure Closing and Holding. For original equipment doors mold closures

Latch point must be below centerline of the two pivot points to allow positive lock. Once installed, this pull action clamp provides fixed stops at various positions. This eliminates the need to adjust a manual stop. UCC-300301 has a 4" draw motion.

Pull Action Toggle Clamps UCC-300301



| UNITED Part No. | Overall Height | Overall Length | Hole Pattern & Base | Bar Height | Bar Length | Weight | # Holes & Size | Holding Capacity | Cross Ref. |
|---------------------------|----------------|----------------|---------------------|------------|------------|--------|----------------|------------------|---------------------------|
| UCC-300301 PULL ACTION | 1-7/8 | 8-11/64 | 1-1/4 x 3/4 FLANGE | 1-5/8 | 3-1/16 | 12 oz. | 4 9/32 | 375 lbs. | 301 CL150PA GH43101 |

Positive locking
Simple to use
Durable and Steady

Capacity: 325 - 700 lbs. Latch Type Toggle Clamps UCC-300351 & UCC-300371

These latching action models are excellent for pressure vessels, doors and all latching operations. Pull Bars are threaded for simple adjustment. Comfortable vinyl hand grip supplied. UCC-300351 and UCC-300371 have 4 Base Holes.



| UNITED Part No. | Overall Height | Overall Length | Hole Pattern & Base | Bar Height | Bar Length | Weight | # Holes & Size | Holding Capacity | Cross Ref. |
|----------------------------|----------------|----------------|-----------------------|------------|------------|---------|----------------|------------------|---------------------------|
| UCC-300351 PULL ACTION | 1-1/2 | 8-5/16 | 3/4 x 1-3/8 FLANGE | 3/4 | 2-5/16 | 9.5 oz. | 4 7/32 | 375 lbs. | 351 NONE GH451 |
| UCC-300351B PULL ACTION | 1-1/2 | 8-5/16 | 2 x 1-1/2 FLANGE | 3/4 | 2-5/16 | 9.0 oz. | 2 17/64 | 325 lbs. | 351B CL250PA GH452 |
| UCC-300371 PULL ACTION | 2-3/8 | 11-1/4 | 1-1/4 x 1-5/16 FLANGE | 1-25/64 | 3-1/8 | 22 oz. | 4 7/32 | 700 lbs. | 371 CL251PA GH40371 |

325 to 700 lbs. Capacity

2 and 4 Hole Mounts

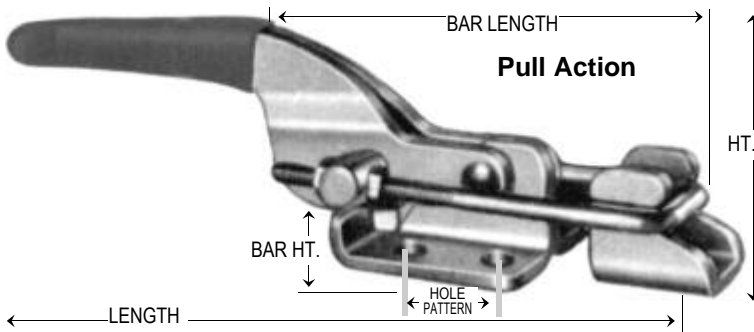
Most popular style with its Adjustable single hole design!
Available in Stainless.

Pull-Latch-Squeeze

UniGrip Latch and Squeeze

Versatile Pull Latching Action Toggle Clamps

UCC-300323, UCC-300331 & UCC-300341 Pull Latch Type Toggle Clamps



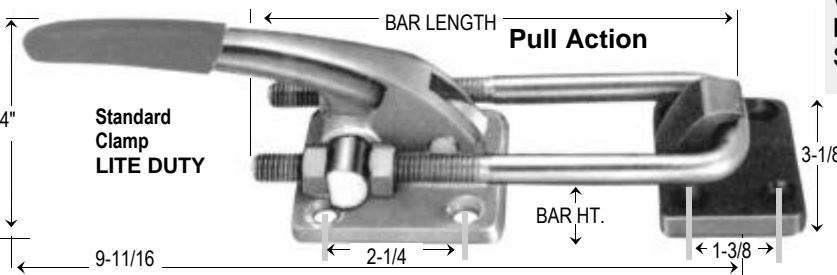
Supplied with Latch Plates.
Central Locking Action holds against heavy forces. Threaded U-Bolts adjust easily for a positive connection.

360 to 2000 lbs. Capacity
One of the popular models!

These latching action models are excellent for pressure vessels, doors and all latching operations. Comfortable vinyl hand grip supplied.

| UNITED Part No. | Overall Height | Overall Length | Hole Pattern & Clamp | Bar Length Adjustable | Bar Height | Weight | # Holes & Size | Hook Adjustment | Drawing Movement | Holding Capacity | Cross Ref. |
|--------------------------|----------------|-------------------------|----------------------|-----------------------|------------|-----------------|----------------|-----------------|------------------|------------------|------------------------|
| UCC-300323 PULL ACTION | 1-5/32 | ADJUSTABLE 3-15/32 min. | 3/4 x 5/8 FLANGE | 1-13/16 | 15/32 | 2.5 oz. (70g) | 6 11/64 | 9/16 | 1-13/16 | 360 lbs | 323 CL100PA GH4023 |
| UCC-300331 PULL ACTION | 1-5/8 | ADJUSTABLE 5-31/32 min. | 3/4 x 1-1/4 FLANGE | 2-9/16 | 21/32 | 8 oz. (225g) | 6 17/64 | 5/16 | 1-3/4 | 700 lbs | 331 CL200PA GH431 |
| UCC-300331SS PULL ACTION | 1-5/8 | ADJUSTABLE 5-31/32 min. | 3/4 x 1-1/4 FLANGE | 2-9/16 | 21/32 | 22.5 oz. (640g) | 6 17/64 | 5/16 | 1-3/4 | 700 lbs | 331SS CL200PAS GH431SS |
| UCC-300341 PULL ACTION | 2-29/32 | ADJUSTABLE 7-1/2 min. | 1-5/8 x 1-1/2 FLANGE | 3-7/8 | 15/16 | 24 oz. (680g) | 6 11/32 | 9/16 | 2-1/2 | 2000 lbs | 341 CL300PA GH40341 |

UCC-300375 Latch Type Toggle Clamps

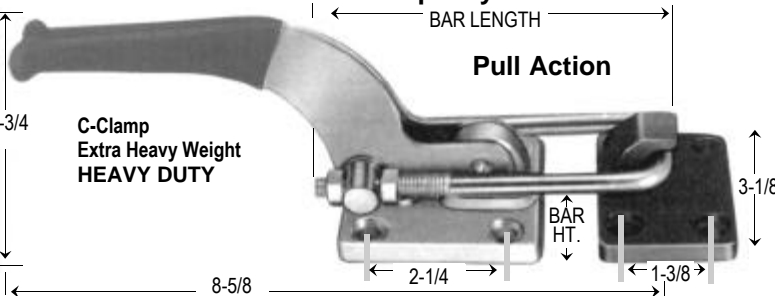


Simple adjustment joins easy operation with maximum holding. Heavy Duty and Lite Duty variations of this popular model. Supplied with comfortable vinyl hand grip.

4000 lbs. Capacity
LATCH PLATE UCC-300375LP optional. Forged for strength and durability. Over center toggle locating action holds heavy forces.

| UNITED Part No. | Overall Height | Overall Length | Clamp Hole Pattern | Latch Hole Pattern | Bar Height | Bar Length | Weight | # Holes & Size | Hook Adjustment | Drawing Movement | Holding Capacity | Cross Ref. |
|------------------------|----------------|----------------|----------------------|----------------------|------------|------------------|--------|----------------|-----------------|------------------|------------------|---------------------|
| UCC-300375 PULL ACTION | 4" | 9-11/16 | 2-1/4 x 2-1/4 FLANGE | 2-1/4 x 1-3/8 FLANGE | 1-1/8 | Adjustable 5-5/8 | 44 oz. | 8 13/32 | 5/8 | 3-1/2 | 4000 lbs | 375 CL400PA GH40370 |
| UCC-300385 PULL ACTION | 3-3/4 | 8-5/8 | 2-1/4 x 2-1/4 FLANGE | 2-1/4 x 1-3/8 FLANGE | 1-1/8 | Adjustable 5-5/8 | 52 oz. | 8 13/32 | 1" | 2-3/16 | 7500 lbs | 385 CL500PA GH40380 |

UCC-300385 7500 lbs. Capacity



7500 lbs. Capacity

Cross Ref: 385102

Ideal for fast clamping containers, doors, pressure vessels and all latching operations. Threaded U-Bolt allows easy adjustment.

LATCH PLATE UCC-300385LP optional. Forged part construction. Easy operation. Simple adjustments. Handles very high pressures.