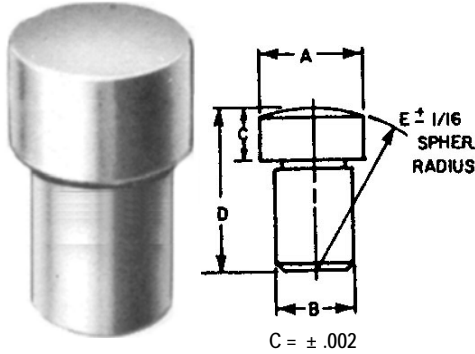


Spherical Buttons and Jig Feet

Spherical Buttons and Button Jig Feet

SPHERICAL RADIUS LOCATOR BUTTONS



LOCATING FOR FIXTURES

SPHERICAL RADIUS LOCATOR BUTTONS

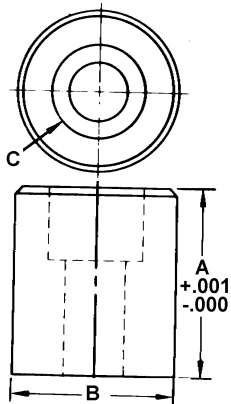
provide

single point contact for irregular surfaces and
are manufactured for
Press Fit Installation.

HEAT TREATED STEEL — BLACK OXIDE FINISH

PART NO.	A	B +.0000 -.0005	C ± .002	D	E
UDB-946525	5/16	.1890	1/8	3/8	1/2
UDB-946527	3/8	.2515	3/16	1/2	5/8
UDB-946529	1/2	.3765	3/16	9/16	3/4
UDB-946531	1/2	.3765	1/4	5/8	3/4
UDB-946533	1/2	.3765	3/8	3/4	3/4
UDB-946535	1/2	.3765	1/2	7/8	3/4

BUTTON JIG FEET



C
FOR SOCKET
HEAD CAP
SCREW

Screw not
furnished.

T.C.M.A. STANDARD

HEAT TREATED STEEL — BLACK OXIDE FINISH

BUTTON JIG FEET

are counterbored for mounting
with socket head screws.

Precision ground lengths for accurate leveling of the jig

PART NO.	A +.001 --0.000	B	C
UDB-946005	.250	7/16	#6 FLAT HEAD
UDB-946010	.375		
UDB-946015	.500		
UDB-946020	.125	1/2	#8 FLAT HEAD
UDB-946022	.375	1/2	#10 SOCKET HEAD CAP SCREW
UDB-946023	.500		
UDB-946025	.250		
UDB-946030	.375	5/8	1/4 SOCKET HEAD CAP SCREW
UDB-946035	.500		
UDB-946040	.625		
UDB-946045	.750		
UDB-946050	.875		
UDB-946055	1.000		
UDB-946075	.375	7/8	1/4 FLAT HEAD
UDB-946080	.500	7/8	5/16 SOCKET HEAD CAP SCREW
UDB-946085	.625		
UDB-946090	.750		
UDB-946095	.875		
UDB-946100	1.000		
UDB-946105	1.125		
UDB-946125	.375	1-1/4	5/16 FLAT HEAD
UDB-946130	.500	1-1/4	3/8 SOCKET HEAD CAP SCREW
UDB-946135	.750		
UDB-946140	.875		
UDB-946145	1.000		
UDB-946150	1.500		
UDB-946155	2.000		
UDB-946200	.375	1-5/8	3/8 FLAT HEAD
UDB-946220	1.250	1-5/8	1/2 SOCKET HEAD CAP SCREW
UDB-946225	1.750		
UDB-946230	2.250		

Lock Screw Rest Buttons

Rest Buttons
Lock Screw Type

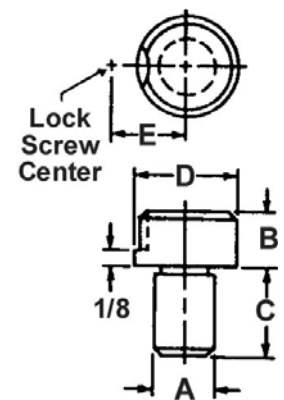
LOCK SCREW REST BUTTONS

Rest Buttons support the work in a jig or fixture to prevent the work piece from resting on the work table.

NOTE: 'B' dimension in reference to head thickness has a $+0.001$
 -0.000

tolerance when ground, and when unground the tolerance is $+0.005$
 $+0.015$.

UNGROUND PART NO. $+0.005$ $+0.015$	GROUND PART NO. $+0.001$ -0.000	A SHANK DIA.	B HEAD THICKNESS	C SHANK LENGTH	D HEAD DIA.	CENTER of LOCK-SCREW (REF. E)	USE with RETAINER PART NO.	USE LOCK SCREW PART NO.
UDB-934415 UDB-934419 UDB-934423 UDB-934427 UDB-934431 UDB-934435 UDB-934439 UDB-934443 UDB-934447 UDB-934451 UDB-934455 UDB-934459 UDB-934463	UDB-934416 UDB-934420 UDB-934424 UDB-934428 UDB-934432 UDB-934436 UDB-934440 UDB-934444 UDB-934448 UDB-934452 UDB-934456 UDB-934460 UDB-934464	5/16	1/4 5/16 3/8 7/16 1/2 9/16 5/8 11/16 3/4 13/16 7/8 15/16 1"	1/2	.625	33/64	L-32-8 or HL-32-8	LS-1
UDB-934515 UDB-934519 UDB-934523 UDB-934527 UDB-934531 UDB-934535 UDB-934539 UDB-934543 UDB-934547 UDB-934551 UDB-934555 UDB-934559 UDB-934563	UDB-934516 UDB-934520 UDB-934524 UDB-934528 UDB-934532 UDB-934536 UDB-934540 UDB-934544 UDB-934548 UDB-934552 UDB-934556 UDB-934560 UDB-934564	1/2	1/4 5/16 3/8 7/16 1/2 9/16 5/8 11/16 3/4 13/16 7/8 15/16 1"	3/4	.875	41/64	L-48-12 or HL-48-12	LS-1
UDB-934615 UDB-934619 UDB-934623 UDB-934627 UDB-934631 UDB-934635 UDB-934639 UDB-934643 UDB-934647 UDB-934651 UDB-934655 UDB-934659 UDB-934663	UDB-934616 UDB-934620 UDB-934624 UDB-934628 UDB-934632 UDB-934636 UDB-934640 UDB-934644 UDB-934648 UDB-934652 UDB-934656 UDB-934660 UDB-934664	3/4	1/4 5/16 3/8 7/16 1/2 9/16 5/8 11/16 3/4 13/16 7/8 15/16 1"	1"	1.125	49/64	L-64-16 or HL-64-16	LS-1
UDB-934715 UDB-934719 UDB-934723 UDB-934727 UDB-934731 UDB-934735 UDB-934739 UDB-934743 UDB-934747 UDB-934751 UDB-934755 UDB-934759 UDB-934763	UDB-934716 UDB-934720 UDB-934724 UDB-934728 UDB-934732 UDB-934736 UDB-934740 UDB-934744 UDB-934748 UDB-934752 UDB-934756 UDB-934760 UDB-934764	1"	1/4 5/16 3/8 7/16 1/2 9/16 5/8 11/16 3/4 13/16 7/8 15/16 1"	1-3/8	1.500	61/64	L-88-22 or HL-88-22	LS-1



Rest Buttons prevent the accumulation of chips or dirt.

NOTE: Manufactured as required from Unground.

HEAT TREATED STEEL

BLACK OXIDE FINISH

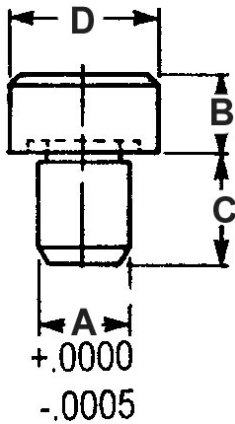
**Press Fit
Rest Buttons**

Support Rest Buttons Press Fit

PRESS FIT REST BUTTONS



Conforms to UT-7166



HEAT TREATED
STEEL
BLACK OXIDE FINISH

NOTE: 'B' dimension in reference

to head thickness has a $\begin{matrix} +.001 \\ -.000 \end{matrix}$

tolerance when ground, and when

unground the tolerance is $\begin{matrix} +.005 \\ +.015. \end{matrix}$

Rest Buttons support the work in a jig or fixture to prevent the work piece from resting on the work table and to prevent the accumulation of chips or dirt.

* T.C.M.A. STANDARD

PART NO. HEAD UNGROUND +.005 +.015	PART NO. HEAD GROUND +.001 -.000	A SHANK DIAMETER +.0000 -.0005	B HEAD THICKNESS +.001 -.000	C SHANK LENGTH	D HEAD DIAMETER
UDB-947400 UDB-947405 UDB-947410	UDB-946400 * UDB-946405 * UDB-946410 *	.1885	1/4 3/8 1/2	3/8	.375
UDB-947411 UDB-947415 UDB-947420 UDB-947425	UDB-946411 UDB-946415 * UDB-946420 * UDB-946425 *	.251	1/8 1/4 3/8 1/2	1/2	.500
UDB-947430 UDB-947431 UDB-947435 UDB-947436 UDB-947440 UDB-947441 UDB-947442 UDB-947443 UDB-947444	UDB-946430 UDB-946431 UDB-946435 UDB-946436 UDB-946440 UDB-946441 UDB-946442 UDB-946443 UDB-946444	.3135	1/4 5/16 3/8 7/16 1/2 5/8 3/4 7/8 1"	1/2	.625
UDB-947445 UDB-947450 UDB-947455 UDB-947460 UDB-947461	UDB-946445 * UDB-946450 * UDB-946455 * UDB-946460 * UDB-946461	.376	1/4 3/8 1/2 5/8 3/4	5/8	.625
UDB-947463 UDB-947464 UDB-947465 UDB-947466 UDB-947470 UDB-947471 UDB-947475 UDB-947476 UDB-947480 UDB-947481 UDB-947482 UDB-947483 UDB-947484	UDB-946463 UDB-946464 UDB-946465 * UDB-946466 UDB-946470 * UDB-946471 UDB-946475 * UDB-946476 UDB-946480 UDB-946481 UDB-946482 UDB-946483 UDB-946484	.501	1/4 5/16 3/8 7/16 1/2 9/16 5/8 11/16 3/4 13/16 7/8 15/16 1"	5/8	.875
UDB-947485 UDB-947490 UDB-947495 UDB-947500	UDB-946485 * UDB-946490 * UDB-946495 UDB-946500 *	.626	3/8 1/2 5/8 3/4	3/4	1.000
UDB-947502 UDB-947504 UDB-947506 UDB-947508 UDB-947510 UDB-947512 UDB-947515 UDB-947516 UDB-947517 UDB-947518 UDB-947519 UDB-947520 UDB-947521	UDB-946502 UDB-946504 UDB-946506 UDB-946508 UDB-946510 * UDB-946512 UDB-946515 * UDB-946516 UDB-946517 UDB-946518 UDB-946519 UDB-946520 UDB-946521	.7515	1/4 5/16 3/8 7/16 1/2 9/16 5/8 11/16 3/4 13/16 7/8 15/16 1"	7/8	1.250
UDB-947536 UDB-947537 UDB-947538 UDB-947539 UDB-947540 UDB-947541 UDB-947542 UDB-947543 UDB-947544 UDB-947545 UDB-947546 UDB-947547 UDB-947548	UDB-946536 UDB-946537 UDB-946538 UDB-946539 UDB-946540 UDB-946541 UDB-946542 UDB-946543 UDB-946544 UDB-946545 UDB-946546 UDB-946547 UDB-946548	1.0015	1/4 5/16 3/8 7/16 1/2 9/16 5/8 11/16 3/4 13/16 7/8 15/16 1"	1-3/8	1.500

Hex Rest Buttons, Threaded & Slip Fit

Hex Rest Buttons
Threaded & Slip Fit

THREADED HEX REST BUTTONS

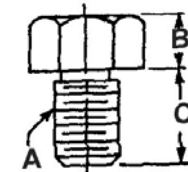
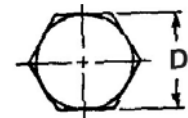
Rest Buttons support the work in a jig or fixture to prevent the work piece from resting on the work table.

PART NO.	A THREAD	B +.005 +.015	C	D
UDB-922174 * UDB-922175 * UDB-922176 * UDB-922178 UDB-922179	1/4-20	1/4 3/8 1/2 3/4 1"	3/8	3/8
UDB-922180 * UDB-922181 * UDB-922182 * UDB-922184 UDB-922185	3/8-16	1/4 3/8 1/2 3/4 1"	1/2	1/2
UDB-922186 UDB-922187 * UDB-922188 * UDB-922189 * UDB-922190 * UDB-922191	1/2-13	1/4 3/8 1/2 5/8 3/4 1"	5/8	5/8

HEAT TREATED STEEL

BLACK OXIDE FINISH

Manufactured
from hex stock
for easy
insertion and
removal.



HEX REST BUTTONS
PREVENT THE ACCUMULATION OF CHIPS OR DIRT.

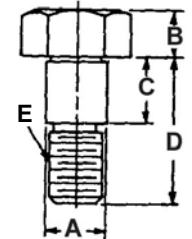
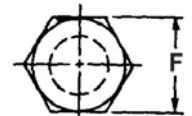
* T.C.M.A. STANDARD

THREADED SLIP FIT HEX REST BUTTONS

Rest Buttons support the work in a jig or fixture to prevent the work piece from resting on the work table.

HEAT TREATED STEEL — BLACK OXIDE FINISH

PART NO.	A +.0000 -.0002	B +.005 +.015	C	D	E THREAD SIZE	F	USE with THREADED RETAINER PART NO.
UDB-934212 UDB-934216 UDB-934220 UDB-934224 UDB-934228 UDB-934232 UDB-934236 UDB-934240 UDB-934244 UDB-934248	9/16	3/16 1/4 5/16 3/8 7/16 1/2 9/16 5/8 11/16 3/4	5/8	1-5/16	1/2-20	7/8	(SEE PAGE D30.) UDB-622273 or UDB-622272
UDB-934316 UDB-934320 UDB-934324 UDB-934328 UDB-934332 UDB-934336 UDB-934340 UDB-934344 UDB-934348	7/8	1/4 5/16 3/8 7/16 1/2 9/16 5/8 11/16 3/4	1"	1-3/4	3/4-16	1-1/4	UDB-622275 or UDB-622274

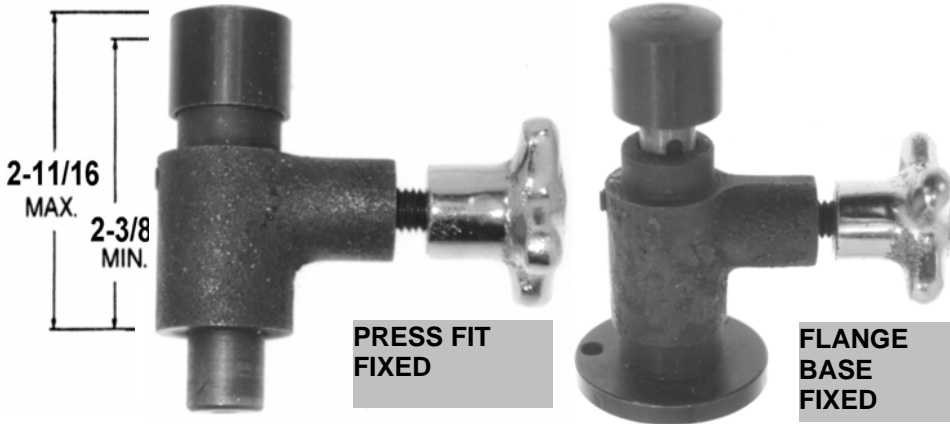


THE GROUND O.D. 'A'
DIMENSION IS SLIP FIT TO
BUSHING I.D. DIMENSION

Spring Jack Locks

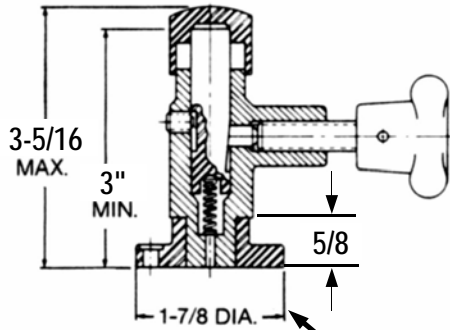
Spring Jack Locks Fixed and Adjustable

SPRING JACK LOCKS — FIXED SPRING PRESSURE



Spring pressured cap seeks its own level within clamping range.

Turn knob quickly. You are locked and machining!

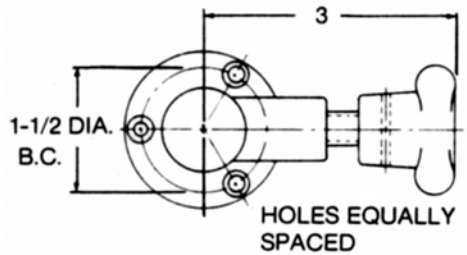


MOUNTING HOLES USE #10 SOCKET HEAD CAP SCREWS

FIXED	UNITED PART NO.	MIN	MAX
PRESS FIT	UDB-921440	2-3/8	2-11/16
FLANGE BASE	UDB-921425	3"	3-5/16

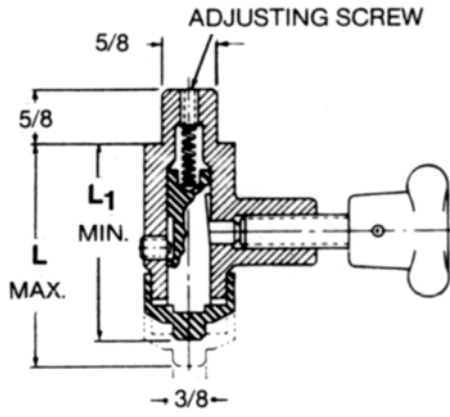
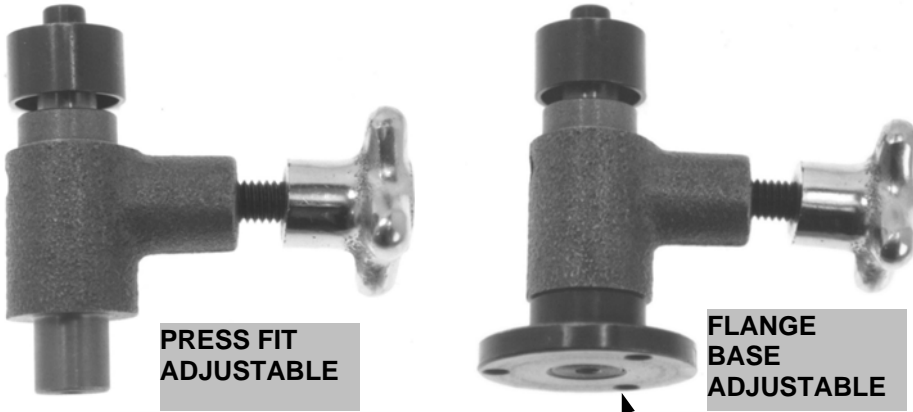
CAST IRON and STEEL HOUSINGS
HEAT TREATED
GROUND AND CAD PLATED

UNITED Spring Jack Locks provide an adjustable rest pad which compensates for part irregularities. The spring loaded plunger is locked into position by twisting the hand knob. The cover prevents dirt, chips and coolants from impairing working mechanism.



SPRING JACK LOCKS — ADJUSTABLE WITH SPRING PRESSURE

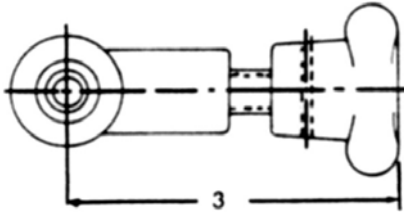
STRONG STEEL HOUSING WITH PRECISION LOCKING MECHANISM INSURES SMOOTH FAST OPERATION.



MOUNTING HOLES USE #10 SOCKET HEAD CAP SCREWS

ADJUSTABLE	UNITED PART NO.	L ₁ MIN	L ₂ MAX
PRESS FIT	UDB-921445	2-1/16	2-3/8
PRESS FIT	UDB-921450	2-1/4	2-9/16
FLANGE BASE	UDB-921430	2-1/16	2-3/8
FLANGE BASE	UDB-921435	2-1/4	2-9/16

CAST IRON and STEEL HOUSINGS
HEAT TREATED
GROUND AND CAD-PLATED



Swivel, Nut & Toggle Pads

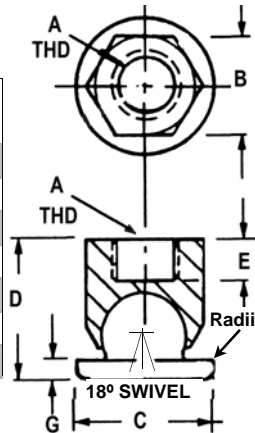
STEEL — ALUMINUM — DELRIN®



Swivel and Leveling Pads

Swivel Pads contact work surfaces with evenly balanced 18° swivel.

SWIVEL PAD PART NO.	A THD	B HEX	C PAD	D HT.	E THD DEPTH	G PAD HT.
UDB-925334	1/4-20	1/2	5/8	43/64	15/64	7/64
UDB-925335	5/16-18	9/16	3/4	3/4	17/64	7/64
UDB-925336	3/8-16	5/8	7/8	29/32	19/64	1/8
UDB-925338	1/2-13	3/4	1"	1-3/64	5/16	5/32
UDB-925340	5/8-11	7/8	1-1/8	1-1/4	23/64	5/32
UDB-925342	3/4-10	1-1/16	1-1/4	1-3/8	23/64	5/32
UDB-925346	1-8	1-3/8	1-5/8	1-53/64	23/64	13/64



18° SWIVEL PADS

Clamps parts solidly on uneven or off-angle surfaces.

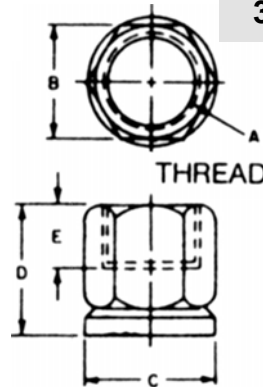
Clamp force distributed evenly in all directions.



Carburized and Hardened Steel — Black Oxide finish

Swivel Nuts prevent marring work piece. Hex Nut turns freely while Pad remains stationary.

SWIVEL NUT	A	B	C	D	E
UDB-925300	10-24	1/4	5/16	5/16	13/64
UDB-925305	1/4-20	5/16	3/8	13/32	3/16
UDB-925310	5/16-18	3/8	7/16	15/32	1/4
UDB-925315	3/8-16	7/16	1/2	17/32	17/64
UDB-925320	1/2-13	5/8	11/16	21/32	3/8
UDB-925325	5/8-11	3/4	7/8	27/32	7/16
UDB-925330	3/4-10	7/8	1"	1"	1/2



360° FREE TURN SWIVEL NUTS

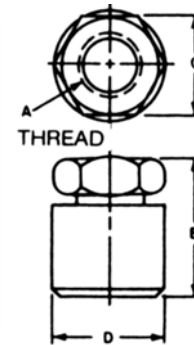
Swivel Nuts' Hardened Black Oxide shoe assures rigid clamping without moving the part.



Hardened Steel — Black Oxide finish

Aluminum and Steel Toggle Pads provide self-aligning and leveling at 15° angle movement with applied force 7-1/2° from center.

STEEL PAD	ALUM. PAD	A	B	C	D
UDB-954005	UDB-954007	1/4-20	5/8	1/2	9/16
UDB-954010	UDB-954012	5/16-18	11/16	9/16	11/16
UDB-954015	UDB-954017	3/8-16	3/4	5/8	3/4
UDB-954020	UDB-954022	1/2-13	15/16	3/4	7/8
UDB-954025	UDB-954027	5/8-11	1"	7/8	1"
UDB-954030	UDB-954032	3/4-10	1-1/4	1-1/16	1-1/4
UDB-954035	UDB-954037	1-8	1-13/16	1-1/16	1-1/2

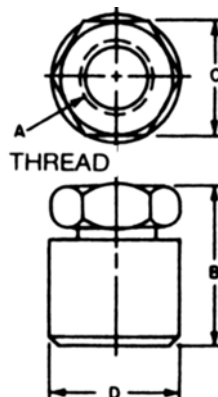


ALUMINUM — 15° TOGGLE PADS — STEEL

T.C.M.A. Standard — Black Oxide finish on Steel Pad

Delrin® Toggle Pads avoid damage to work piece and provide self-aligning and leveling at 15° angle movement.

DELTRIN PAD	A	B	C	D
UDB-954005D	1/4-20	5/8	1/2	9/16
UDB-954010D	5/16-18	11/16	9/16	11/16
UDB-954015D	3/8-16	3/4	5/8	3/4
UDB-954020D	1/2-13	15/16	3/4	7/8
UDB-954025D	5/8-11	1"	7/8	1"
UDB-954030D	3/4-10	1-1/4	1-1/16	1-1/4
UDB-954035D	1-8	1-13/16	1-1/16	1-1/2



15° TOGGLE PADS — DELRIN®

Delrin® Pads

- Eliminate slippage
- Seat automatically
- Avoid surface damage



**Socket Pads
UDB-954060 Series**

Socket Leveling Pads

**STEEL - STAINLESS - ELASTOMER - DELRIN
15° Swivel — Any Direction**



SOCKET STEEL LEVELING PAD
ZINC PLATED WITH GOLD CHROMATE FINISH. BLACK OXIDE AND SILVER FINISHES AVAILABLE WITH SLIGHT WORK TIME.

SPECIFY B FOR BLACK OR G FOR GOLD CHROMATE FINISH.

FINISHES PREVENT RUST. HEAVY DUTY LARGE DIAMETER PAD.

STEEL LEVELING PAD



STAINLESS STEEL SOCKETED LEVELING PAD

ALL STAINLESS 300.

STRONG PAD FOR MAXIMUM PROTECTION AGAINST RUST AND CORROSION.

STAINLESS STEEL LEVELING PAD



STEEL SOCKET LEVELING WITH ELASTOMER PAD
1/8 NEOPRENE ELASTOMER BONDED PAD FOR NON-SKID SUPPORT.

ZINC GOLD CHROMATE FINISH. ELASTOMER PROTECTS FLOOR SURFACE FINISH.

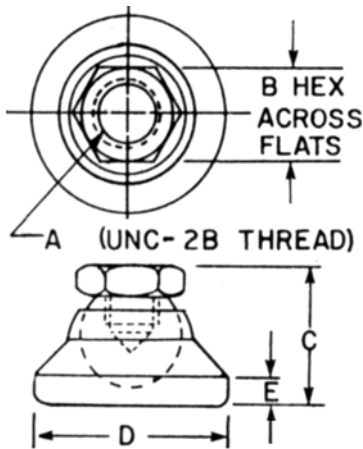
ELASTOMER LEVELING PAD



STEEL SOCKET LEVELING WITH DELRIN PAD
DELRIN® LEVELING PAD HAS STEEL SOCKET. ZINC PLATED GOLD CHROMATE FINISH ON SOCKET.

DELRIN BASE PROVIDES PROTECTION FROM FLOOR AND SURFACE FINISHES. HAS HIGH RESISTANCE TO IMPACTS, MOISTURE, AND SOLVENTS. RESISTS HEAT UP TO 190° F.

DELRIN® LEVELING PAD



**UNITED'S FOUR STYLES of LEVELING PADS—
STEEL, STAINLESS 300, STEEL with ELASTOMER PAD and
DELRIN BASE with STEEL SOCKET
—ALL SWIVEL 15° OFF CENTERLINE.**

**ALL FOUR STYLES ADJUST to UNEVEN or LEVEL SURFACES
of MACHINES, BENCHES, RACKS and EQUIPMENT.**

HARDENED BALLS PREVENT GALLING of SOCKETS.

UNITED LEVELING PAD PART NO.s by STYLE				DIMENSIONS					MAX LOAD RATINGS by STYLE			
STEEL	STAINLESS	ELASTOMER	DELRIN®	A	B	C	D	E	STEEL	SS	ELASTOMER	DELRIN
UDB-954060	UDB-954060SS	UDB-954060E	UDB-954060D	1/4-20	1/2	1"	1"	5/32	1100	1100	800	200
UDB-954063	UDB-954063SS	UDB-954063E	UDB-954063D	3/8-16	5/8	7/8	1-1/4	3/16	3750	3750	2800	300
UDB-954070	UDB-954070SS	UDB-954070E	UDB-954070D	1/2-13	3/4	1-1/8	1-7/8	1/4	5000	5000	3750	700
UDB-954075	UDB-954075SS	UDB-954075E	UDB-954075D	5/8-11	7/8	1-1/4	2-1/2	5/16	6000	6000	4500	1200
UDB-954080	UDB-954080SS	UDB-954080E	UDB-954080D	3/4-10	1-1/16	1-1/2	3"	1/2	7200	7200	5400	1800
UDB-954086	UDB-954086SS	UDB-954086E	UDB-954086D	1-8	1-1/2	2"	3-1/2	3/4	22000	22000	16400	2400
UDB-954088	UDB-954088SS	UDB-954088E	UDB-954088D	1-1/4 -7	1-7/8	2-3/4	6"	1"	42000	42000	30000	3200

Stud Swivel Leveling Pads

15° SWIVEL in STEEL - STAINLESS - ELASTOMER - DELRIN®

**Stud Swivel Pads
UDB-954082 Series**

STEEL STUD SWIVEL LEVELING PAD

ZINC PLATED WITH GOLD CHROMATE FINISH. BLACK OXIDE AND SILVER FINISHES ARE OPTIONAL AND MAY REQUIRE MORE TIME.

SPECIFY **B** FOR BLACK OR **G** FOR GOLD CHROMATE FINISH.

FINISHES PREVENT RUST.
HEAVY DUTY LARGE DIAMETER PAD.



STEEL STUD SWIVEL PAD

STAINLESS STEEL STUD SWIVEL LEVELING PAD

ALL STAINLESS 300.

DURABLE PAD FOR MAXIMUM PROTECTION AGAINST RUST AND CORROSION.



STAINLESS STEEL STUD SWIVEL PAD

STEEL STUD SWIVEL LEVELING WITH ELASTOMER PAD

1/8 NEOPRENE ELASTOMER BONDED PAD FOR NON-SKID SUPPORT.

ZINC GOLD CHROMATE FINISH. ELASTOMER PROTECTS FLOOR SURFACE FINISH.



ELASTOMER STUD SWIVEL PAD

STEEL STUD SWIVEL LEVELING WITH DELRIN PAD

DELRIN® STUD SWIVEL LEVELING PAD HAS STEEL STUD. ZINC PLATED GOLD CHROMATE FINISH ON SOCKET.

DELRIN BASE PROVIDES PROTECTION FROM FLOOR AND SURFACE FINISHES. HIGH RESISTANCE TO IMPACTS, MOISTURE, AND SOLVENTS. RESISTS HEAT UP TO 190° F.



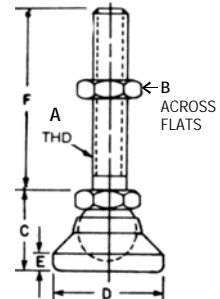
DELRIN® STUD SWIVEL PAD

UNITED'S FOUR STYLES of STUD SWIVEL LEVELING PADS—STEEL, STAINLESS 300, STEEL with ELASTOMER PAD, and DELRIN BASE with STEEL STUD—ALL SWIVEL 15° OFF CENTERLINE.

STUD and HARDENED BALL INCREASE STRENGTH of the ASSEMBLY. JAM NUTS FURNISHED with STUD TYPES.

UNITED's single piece hardened ball, nut and socket construction with our hardened stud and nut increase the strength and longevity of our assemblies. The greatest wear of Leveling Pad Assemblies occurs with the stud. UNITED's Leveling Pad Studs maintain this strength longer. Less-needed repair costs of the individual stud, stud swivel ball and swivel pad provide overall lower replacement costs and greater longevity than yesteryear styles.

BLACK OXIDE and EXTRA LONG STUDS AVAILABLE.



UNITED STUD SWIVEL LEVELING PAD PART NO.s by STYLE				DIMENSIONS						MAX LOAD RATINGS by STYLE			
STEEL	STAINLESS	ELASTOMER	DELRIN®	A	B	C	D	E	F	STEEL	SS	ELASTOMER	DELRIN
UDB-954082	UDB-954082SS	UDB-954082E	UDB-954082D	1/4-20	1/2	.70	1"	5/32	1"	1100	1100	800	200
UDB-954084	UDB-954084SS	UDB-954084E	UDB-954084D	3/8-16	5/8	7/8	1-1/4	3/16	1.48	3750	3750	2800	300
UDB-954085	UDB-954085SS	UDB-954085E	UDB-954085D	1/2-13	3/4	1-1/8	1-7/8	1/4	2"	5000	5000	3750	700
UDB-954090	UDB-954090SS	UDB-954090E	UDB-954090D	5/8-11	15/16	1-1/4	2-1/2	5/16	2"	6600	6600	4500	1200
UDB-954095	UDB-954095SS	UDB-954095E	UDB-954095D	3/4-10	1-1/8	1-1/2	3"	1/2	2"	10000	10000	5400	1800
UDB-954096	UDB-954096SS	UDB-954096E	UDB-954096D	1-8	1-1/2	1-7/8	4"	13/32	4-1/4	22000	22000	16400	2400
UDB-954098	UDB-954098SS	UDB-954098E	UDB-954098D	1-1/4 -7	1-7/8	2-3/4	6"	1"	4-1/4	42000	42000	30000	3200