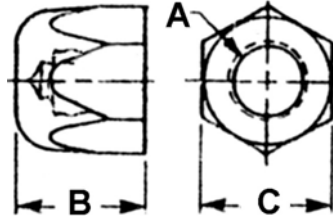
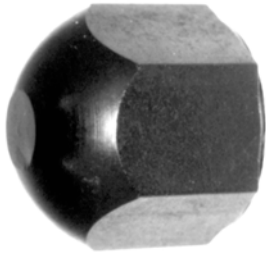


Stainless Nuts

Stainless Acorn, Knurled Lock and Check Nuts

STAINLESS ACORN NUTS

UNITED STAINLESS ACORN NUTS are non-magnetic and protect stud threads from damage.



STAINLESS 300 SERIES

CORROSIVE RESISTANT

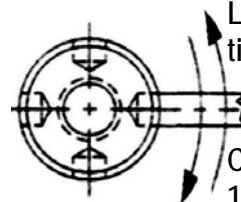
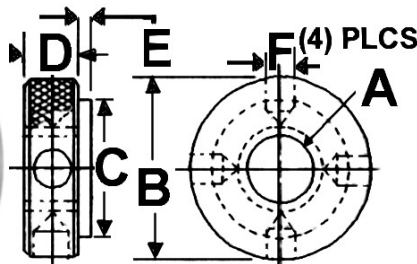
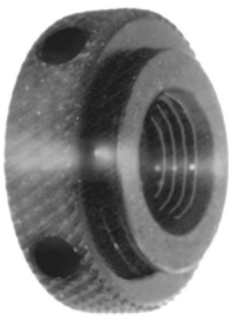
AVAILABLE IN C12L15 STEEL
HEAT TREATED WITH BLACK OXIDE FINISH.

Spherical surface eliminates injury to operators.

STAINLESS PART NO.	STEEL PART NO.	A THD	B	C
UDB-925000S	UDB-925000	1/4-20	1/2	1/2
UDB-925005S	UDB-925005	5/16-18	5/8	9/16
UDB-925010S	UDB-925010	3/8 - 16	3/4	11/16
UDB-925015S	UDB-925015	1/2-13	15/16	7/8
UDB-925020S	UDB-925020	5/8-11	1-3/16	1-1/16
UDB-925025S	UDB-925025	3/4 - 10	1-3/8	1-1/4
UDB-925030S	UDB-925030	7/8 - 9	1-7/16	1-7/16

STAINLESS KNURLED LOCK NUTS

UNITED HEAVY DUTY KNURLED LOCK NUTS are quick acting for tightening professionally.



Can be tightened by hand or with a 1/4" or 6mm diameter rod.

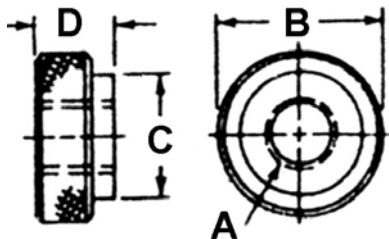
300 SERIES STAINLESS WITH PASSIVATED FINISH

AVAILABLE IN 1018 STEEL
HEAT TREATED — BLACK OXIDE

STAINLESS PART NO.	STEEL PART NO.	A THD I. D. SIZE	B O. D. DIA	C STEP DIA	D WIDTH	E LIP	F DIA +.005 -.000
UDB-925110S	UDB-925110	1/4-20	1-1/8	1"	7/16	1/16	.250
UDB-925115S	UDB-925115	3/8 - 16	1-1/8	1"	7/16	1/16	.250
UDB-925120S	UDB-925120	1/2-13	1-1/8	1"	7/16	1/16	.250
UDB-925125S	UDB-925125	5/8-11	1-3/8	1"	7/16	1/16	.250

STAINLESS CHECK NUTS

UNITED CHECK NUTS are fixture tightening good! They are provided with all Toggle Head Screws. They are available for numerous standard and special applications.



300 SERIES STAINLESS HAVE PASSIVATED FINISH.

ALSO AVAILABLE IN ALLOY STEEL, HEAT TREATED WITH BLACK OXIDE FINISH.

STAINLESS PART NO.	ALLOY STEEL PART NO.	A THD SIZE	B DIA	C DIA	D
UDB-955100S	UDB-955100	#10-32	3/4	7/16	3/16
UDB-955103S	UDB-955103	#10-24	3/4	7/16	3/16
UDB-955105S	UDB-955105	1/4-20	3/4	1/2	7/32
UDB-955110S	UDB-955110	5/16-18	3/4	1/2	1/4
UDB-955115S	UDB-955115	3/8 - 16	1"	3/4	7/16
UDB-955120S	UDB-955120	1/2-13	1"	3/4	7/16
UDB-955125S	UDB-955125	5/8-11	1-1/16	13/16	1/2

Stainless Flat, Plain C and Swing C-Washers



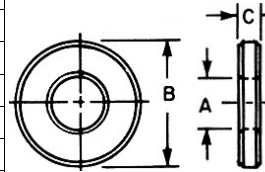
UNITED HEAVY DUTY FLAT WASHERS are versatile, durable and efficient.

STAINLESS FLAT WASHERS

UNITED PART NO.	BOLT / STUD SIZE	A I. D.	B O. D.	C THICKNESS	UNITED PART NO.	BOLT / STUD SIZE	A I. D.	B O. D.	C THICKNESS
*UDB-926544SS	#10 (3/16)	7/32	7/16	5/64	*UDB-926580SS	1/2	17/32	1-1/8	3/16
*UDB-926545SS	#10 (3/16)	13/64	1/2	3/32	*UDB-926585SS	5/8	21/32	1-3/8	1/8
*UDB-926546SS	1/4	9/32	1/2	5/64	*UDB-926590SS	5/8	21/32	1-3/8	3/16
*UDB-926550SS	1/4	9/32	5/8	1/8	*UDB-926595SS	3/4	25/32	1-5/8	5/32
*UDB-926555SS	5/16	11/32	3/4	1/8	*UDB-926600SS	3/4	25/32	1-5/8	1/4
*UDB-926560SS	5/16	11/32	3/4	3/16	*UDB-926605SS	7/8	29/32	1-3/4	5/32
*UDB-926565SS	3/8	13/32	7/8	1/8	*UDB-926610SS	7/8	29/32	1-3/4	1/4
*UDB-926570SS	3/8	13/32	7/8	3/16	*UDB-926615SS	1"	1-1/32	2"	3/16
*UDB-926571SS	3/8	13/32	1"	3/16	*UDB-926620SS	1"	1-1/32	2"	9/32
*UDB-926572SS	7/16	15/32	1"	1/8	*UDB-926625SS	1-1/8	1-5/32	2-1/4	7/32
*UDB-926575SS	1/2	17/32	1-1/8	1/8	*UDB-926630SS	1-1/4	1-9/32	2-1/2	9/32

NON-MAGNETIC
NON-CORROSIVE

HEAVY DUTY



AVAILABLE IN STAINLESS 300 SERIES AND

C-12L14 STEEL CARBURIZED HARDENED, HEAT TREATED WITH BLACK OXIDE FINISH

SEE PG. F21 FOR C-12L14 STEEL.

* SIZES AVAILABLE IN STEEL. For Steel, omit 'SS' from P/N

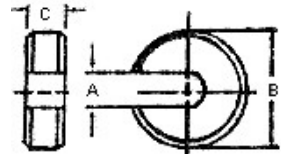
C-WASHERS are often used with nuts and flange nuts. They are locking washers which all in and out movement to load and clear workpiece.

STAINLESS C - WASHERS

UNITED PART NO.	BOLT / STUD SIZE	A I. D.	B O. D.	C THICKNESS	UNITED PART NO.	BOLT / STUD SIZE	A I. D.	B O. D.	C THICKNESS
UDB-926000	1/4 or M6	9/32	3/4	1/4	UDB-926026	1/2 or M10	17/32	2-3/4	3/8
UDB-926002S	1/4 or M6	9/32	1"	1/4	UDB-926028	5/8 or M16	21/32	2-1/8	3/8
UDB-926004S	1/4 or M6	9/32	1-1/4	1/4	UDB-926030S	5/8 or M16	21/32	2-1/2	3/8
UDB-926006	1/4 or M6	9/32	1-1/2	1/4	UDB-926032	5/8 or M16	21/32	3"	3/8
UDB-926008	1/4 or M6	9/32	1-3/4	1/4	UDB-926034S	3/4 or M18	25/32	2-1/2	7/16
UDB-926010	5/16 or M8	11/32	1"	5/16	UDB-926036	3/4 or M18	25/32	2-7/8	7/16
UDB-926012	5/16 or M8	11/32	1-1/4	5/16	UDB-926038	3/4 or M18	25/32	3-3/8	7/16
UDB-926014	5/16 or M8	11/32	1-1/2	5/16	UDB-926040	7/8 or M22	29/32	2"	7/16
UDB-926016S	3/8 or M10	13/32	1-1/4	3/8	UDB-926042	7/8 or M22	29/32	2-1/2	7/16
UDB-926018S	3/8 or M10	13/32	1-1/2	3/8	UDB-926044	7/8 or M22	29/32	3"	7/16
UDB-926020	3/8 or M10	13/32	1-3/4	3/8	UDB-926046	1" or M24	1-1/32	2-1/2	1/2
UDB-926022S	1/2 or M10	17/32	1-7/8	3/8	UDB-926048	1" or M24	1-1/32	3"	1/2
UDB-926024	1/2 or M10	17/32	2-1/4	3/8	UDB-926050	1" or M24	1-1/32	3-1/2	1/2

AVAILABLE IN STAINLESS 300 SERIES.

SEE PG. F21 FOR STEEL C-12L14 STEEL CARBURIZED HARDENED HEAT TREATED WITH BLACK OXIDE FINISH

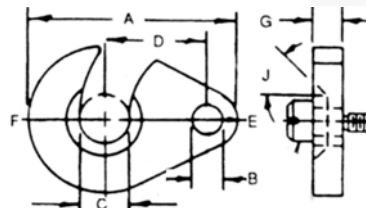


'S' INDICATES SIZES AVAILABLE IN STAINLESS STEEL. NUMBERS WITHOUT 'S' ARE C12L14 STEEL.

STAINLESS SWING C - WASHERS

SWING C-WASHERS act as a latch for jigs and fixtures and special machinery. They can be swung in and out of the way for quick insertion and removal of the work piece.

Available with flat service or equalizing hole.



FLAT PART NO.	EQUALIZING PART NO.	A LEN	B +.0005 - .0000	C I. D.	D	E BOTTOM RADIUS	F TOP RADIUS	G +.0000 -.0015	J X 45°
UDB-927750S	UDB-927754S	1-1/8	.1875	13/64	9/16	3/16	3/8	.1870	5/64
UDB-927751S	UDB-927755S	1-1/4	.1875	17/64	5/8	3/16	7/16	.1870	3/32
UDB-927752S	UDB-927756S	1-1/2	.250	21/64	3/4	1/4	1/2	.2495	1/8
UDB-927753S	UDB-927757S	1-3/4	.250	25/64	7/8	1/4	5/8	.2495	1/8

SEE PG. F21 FOR STEEL.

AVAILABLE IN STAINLESS 300 SERIES AND STEEL.

FOR C-12L14 STEEL CARBURIZED HARDENED HEAT TREATED WITH BLACK OXIDE FINISH, DROP THE SUFFIX S.



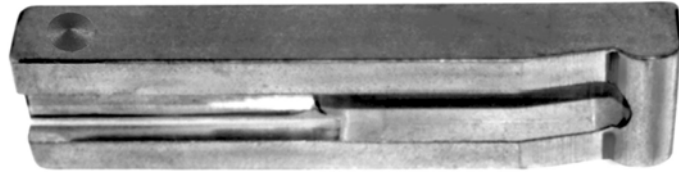
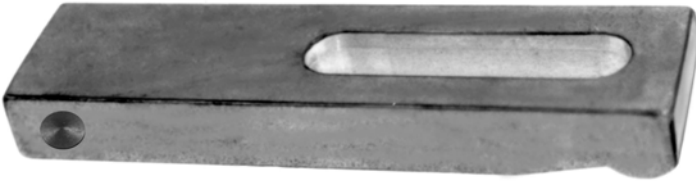
Miniature Slotted Radius Nose Clamps

Stainless Slotted Heel Radius Nose Clamps & Assy

STAINLESS STEEL SLOTTED HEEL RADIUS NOSE STRAP CLAMPS

300 SERIES STAINLESS STEEL — TOP VIEW

300 SERIES STAINLESS STEEL — BOTTOM VIEW



SINGLE END SLOTTED HEEL CLAMP STRAPS are slotted in the center underneath the top surface allowing the clamp to slide forward and back to load and unload your work piece.

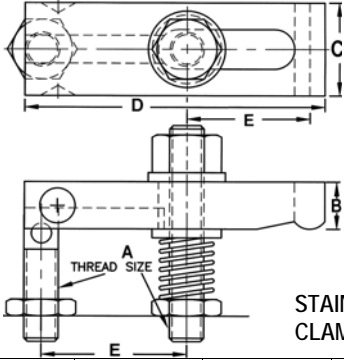
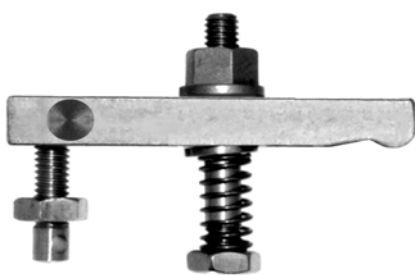
A secure grip is provided by two Finger Grip drill spots on both sides of slot area assuring you instant adjustments for loading. Stud sized slots available in 10–32, 1/4–20, 5/16–18 & 3/8–16.

STAINLESS PART NO.	A STUD SIZE	B HT.	C WIDE	D LEN	E SLOT TO RADIUS	F TRAVEL SLOT	G RADIUS	H RELIEF	J SLOT	K HEEL SLOT	L HEEL WIDTH
UDB-917212S	#10–32	1/4	1/2	1-1/2	21/32	15/32	3/16	5/16	7/32	3/32	7/32
UDB-917214S	#10–32	1/4	1/2	2	29/32	23/32	3/16	5/16	7/32	3/32	7/32
UDB-917216S	1/4–20	3/8	5/8	2	7/8	11/16	1/4	3/8	9/32	1/8	9/32
UDB-917218S	1/4–20	3/8	5/8	2-1/2	1-1/8	15/16	1/4	3/8	9/32	1/8	9/32
UDB-917220S	5/16–18	3/8	3/4	2	27/32	19/32	5/16	7/16	11/32	5/32	11/32
UDB-917222S	5/16–18	3/8	3/4	2-1/2	1-3/32	27/32	5/16	7/16	11/32	5/32	11/32
UDB-917224S	5/16–18	3/8	3/4	3	1-11/32	1-3/32	5/16	7/16	11/32	5/32	11/32
UDB-917226S	3/8–16	1/2	1	3	1-5/16	1	3/8	1/2	13/32	3/16	13/32
UDB-917228S	3/8–16	1/2	1	3-1/2	1-9/16	1-1/4	3/8	1/2	13/32	3/16	13/32
UDB-917230S	3/8–16	1/2	1	4	1-13/16	1-1/2	3/8	1/2	13/32	3/16	13/32

300 SERIES STAINLESS STEEL

UNITED CLAMP	ASSEMBLY TYPES AVAILABLE									
SNW Spherical Flange Nut & Washer	FN Flange Nut	NSWS Nut & Spherical Washer Set	HKSWS Hand Knob & Spherical Washer Set	ANSWS Acorn Nut & Spherical Washer Set	BKSWS Bar Knob & Spherical Washer Set	FNSWS Flange Nut & Spherical Washer Set	KK Knurled Knob	KKSWS Knurled Knob & Spherical Washer Set	QAHKSWS Quick Acting Hand Knob & Spherical Washer Set	

STAINLESS STEEL MINIATURE SLOTTED HEEL RADIUS NOSE CLAMP ASSEMBLY



Select any of the above assemblies and add the suffix letters in bold to the part number below and we will fax you details of the assembly items together with prices and dimensions.

Example: UDB-917250S-FN

The greatest pressure is exerted on the part rather than the strap clamp.

STAINLESS STEEL SINGLE END RADIUS NOSE SLOTTED HEEL STRAP CLAMP ASSEMBLIES are MINIATURE in 300 SERIES STAINLESS STEEL.

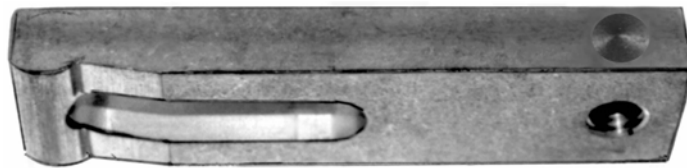
STAINLESS ASSEMBLY	A THD	B WIDTH	C THICK	D LEN	E SLOT LEN	CLAMP STRAP	CLAMP REST	SPRING	FLAT WASHER	STUD	JAM NUT	FLANGE NUT
UDB-917300S	#10–32	1/4	1/2	1-1/2	21/32	UDB-917212S	UDB-930672S	UDB-936050S	UDB-926545S	UDB-940868S	UDB-925392S	UDB-925146S
UDB-917302S	#10–32	1/4	1/2	2	29/32	UDB-917214S	UDB-930672S	UDB-936050S	UDB-926545S	UDB-940868S	UDB-925392S	UDB-925146S
UDB-917304S	1/4–20	3/8	5/8	2	7/8	UDB-917216S	UDB-930678S	UDB-936055S	UDB-926550S	UDB-940870S	UDB-925400S	UDB-925150S
UDB-917306S	1/4–20	3/8	5/8	2-1/2	1-1/8	UDB-917218S	UDB-930678S	UDB-936055S	UDB-926550S	UDB-940870S	UDB-925400S	UDB-925150S
UDB-917308S	5/16–18	3/8	3/4	2	27/32	UDB-917220S	UDB-930682S	UDB-936060S	UDB-926560S	UDB-940882S	UDB-925405S	UDB-925155S
UDB-917310S	5/16–18	3/8	3/4	2-1/2	1-3/32	UDB-917222S	UDB-930682S	UDB-936060S	UDB-926560S	UDB-940882S	UDB-925405S	UDB-925155S
UDB-917312S	5/16–18	3/8	3/4	3	1-11/32	UDB-917224S	UDB-930682S	UDB-936060S	UDB-926560S	UDB-940882S	UDB-925405S	UDB-925155S
UDB-917314S	3/8–16	1/2	1	3	1-5/16	UDB-917226S	UDB-930690S	UDB-936065S	UDB-926565S	UDB-940888S	UDB-925410S	UDB-925160S
UDB-917316S	3/8–16	1/2	1	3-1/2	1-9/16	UDB-917228S	UDB-930690S	UDB-936065S	UDB-926565S	UDB-940888S	UDB-925410S	UDB-925160S
UDB-917318S	3/8–16	1/2	1	4	1-13/16	UDB-917230S	UDB-930690S	UDB-936065S	UDB-926565S	UDB-940888S	UDB-925410S	UDB-925160S

Stainless Tapped Heel Radius Nose Clamps & Assy

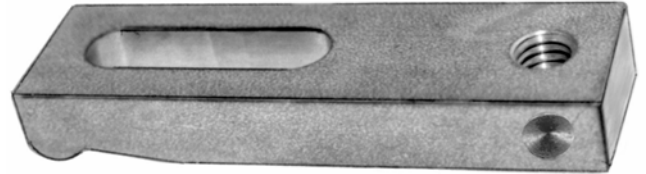
Miniature Tapped Radius Nose Clamps

MINIATURE STAINLESS STEEL TAPPED HEEL RADIUS NOSE STRAP CLAMPS

300 SERIES STAINLESS STEEL - BOTTOM VIEW - available in aluminum



300 SERIES STAINLESS STEEL - TOP VIEW - available in aluminum

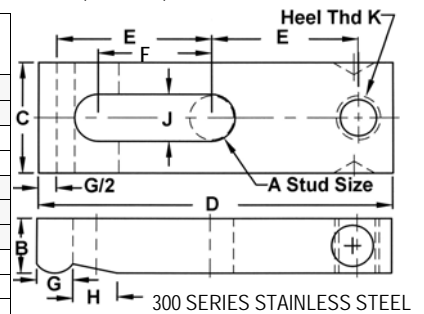


Clamping screws and rear supports fit the SINGLE END TAPPED HEEL CLAMP STRAPS allowing the clamp to slide forward and back to load and unload your work piece.

Two Finger Grips on each side of slot area provide secure gripping for easy adjustments and loading. The stud leveling feet can be used as a rear support.

Stud sized slots available in 10-32, 1/4-20, 5/16-18 and 3/8-16.

STAINLESS PART NO.	A STUD SIZE	B HT.	C WIDE	D LEN	E SLOT TO RADIUS	F TRAVEL SLOT	G RADIUS	H RELIEF	J SLOT	K HEEL THD
UDB-917250S	#10-32	1/4	1/2	1-1/2	19/32	13/32	3/16	5/16	7/32	#10-32
UDB-917252S	#10-32	1/4	1/2	2	27/32	21/32	3/16	5/16	7/32	#10-32
UDB-917254S	1/4-20	3/8	5/8	2	13/16	19/32	1/4	3/8	9/32	1/4-20
UDB-917256S	1/4-20	3/8	5/8	2-1/2	1-1/16	27/32	1/4	3/8	9/32	1/4-20
UDB-917258S	5/16-18	3/8	3/4	2	3/4	1/2	5/16	7/16	11/32	5/16-18
UDB-917260S	5/16-18	3/8	3/4	2-1/2	1	3/4	5/16	7/16	11/32	5/16-18
UDB-917262S	5/16-18	3/8	3/4	3	1-1/4	1	5/16	7/16	11/32	5/16-18
UDB-917264S	3/8-16	1/2	1	3	1-7/32	7/8	3/8	1/2	13/32	3/8-16
UDB-917266S	3/8-16	1/2	1	3-1/2	1-15/32	1-1/8	3/8	1/2	13/32	3/8-16
UDB-917268S	3/8-16	1/2	1	4	1-23/32	1-3/8	3/8	1/2	13/32	3/8-16



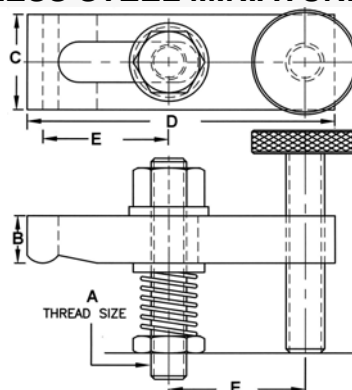
UNITED CLAMP	ASSEMBLY TYPES AVAILABLE									
SNW Spherical Flange Nut & Washer	FN Flange Nut	NSWS Nut & Spherical Washer Set	HKSWS Hand Knob & Spherical Washer Set	ANSWS Acorn Nut & Spherical Washer Set	BKSWS Bar Knob & Spherical Washer Set	FNSWS Flange Nut & Spherical Washer Set	KK Knurled Knob	KKSWS Knurled Knob & Spherical Washer Set	QAHKWS Quick Acting Hand Knob & Spherical Washer Set	

Select any of the above assemblies and add the suffix letters in bold to the part number below and we will fax you details of the assembly items together with prices and dimensions.

Example: UDB-917390S-KKSWS

SINGLE END RADIUS NOSE TAPPED HEEL STRAP CLAMP ASSEMBLIES are MINIATURE in 300 STAINLESS STEEL.

STAINLESS STEEL MINIATURE TAPPED CLAMP ASSEMBLY



Straps available in aluminum



The greatest pressure is exerted on the part rather than the strap clamp.

STAINLESS ASSEMBLY	A THD	B	C	D	E	CLAMP STRAP	KNURLED HD SCREW	CLAMP REST	SPRING	FLAT WASHER	STUD	JAM NUT	FLANGE NUT
UDB-917390S	#10-32	1/4	1/2	1-1/2	19/32	UDB-917250S	UDB-923204S	UDB-930672S	UDB-936050S	UDB-926545S	UDB-940868S	UDB-925392S	UDB-925146S
UDB-917392S	#10-32	1/4	1/2	2	27/32	UDB-917252S	UDB-923204S	UDB-930672S	UDB-936050S	UDB-926545S	UDB-940868S	UDB-925392S	UDB-925146S
UDB-917394S	1/4-20	3/8	5/8	2	13/16	UDB-917254S	UDB-923206S	UDB-930678S	UDB-936055S	UDB-926550S	UDB-940870S	UDB-925400S	UDB-925150S
UDB-917396S	1/4-20	3/8	5/8	2-1/2	1-1/16	UDB-917256S	UDB-923206S	UDB-930678S	UDB-936055S	UDB-926550S	UDB-940870S	UDB-925400S	UDB-925150S
UDB-917398S	5/16-18	3/8	3/4	2	3/4	UDB-917258S	UDB-923220S	UDB-930682S	UDB-936060S	UDB-926560S	UDB-940882S	UDB-925405S	UDB-925155S
UDB-917400S	5/16-18	3/8	3/4	2-1/2	1	UDB-917220S	UDB-923220S	UDB-930682S	UDB-936060S	UDB-926560S	UDB-940882S	UDB-925405S	UDB-925155S
UDB-917402S	5/16-18	3/8	3/4	3	1-1/4	UDB-917262S	UDB-923220S	UDB-930682S	UDB-936060S	UDB-926560S	UDB-940882S	UDB-925405S	UDB-925155S
UDB-917404S	3/8-16	1/2	1	3	1-7/32	UDB-917264S	UDB-923224S	UDB-930690S	UDB-936065S	UDB-926565S	UDB-940888S	UDB-925410S	UDB-925160S
UDB-917406S	3/8-16	1/2	1	3-1/2	1-15/32	UDB-917266S	UDB-923224S	UDB-930690S	UDB-936065S	UDB-926565S	UDB-940888S	UDB-925410S	UDB-925160S
UDB-917408S	3/8-16	1/2	1	4	1-23/32	UDB-917268S	UDB-923224S	UDB-930690S	UDB-936065S	UDB-926565S	UDB-940888S	UDB-925410S	UDB-925160S

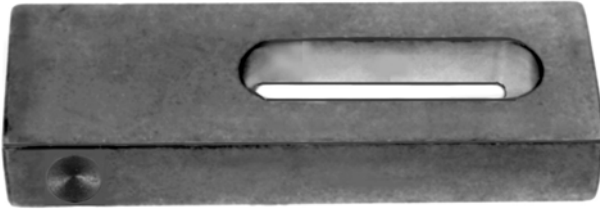
**Miniature Plain Nose
Clamps & Assy**

Stainless Single End Plain Nose Miniature Strap Clamps

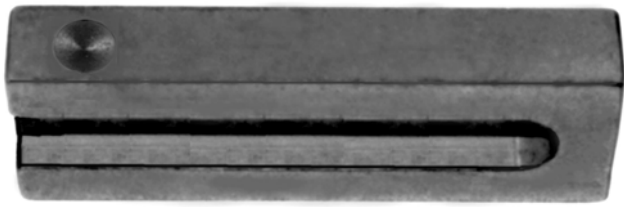
STAINLESS STEEL SINGLE END PLAIN NOSE SLOTTED HEEL STRAP CLAMPS

300 SERIES STAINLESS STEEL — TOP VIEW — available in aluminum

300 SERIES STAINLESS STEEL — BOTTOM VIEW — available in aluminum

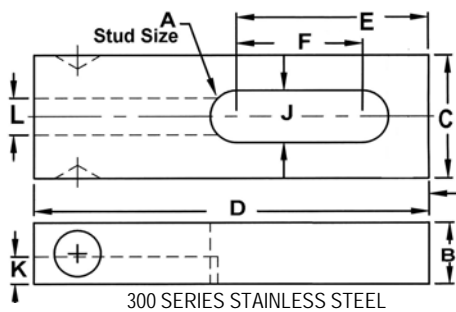


Excellent for use with all heel clamp assemblies.



SINGLE END PLAIN NOSE CLAMP STRAPS are slotted underneath allowing the clamp to slide forward and back to load and unload your work piece. For light to medium duty.

A secure grip is provided by two Finger Grip drill spots on both sides of slot area assuring you instant adjustments for loading. Stud sized slots available in 10–32, 1/4–20, 5/16–18 & 3/8–16.

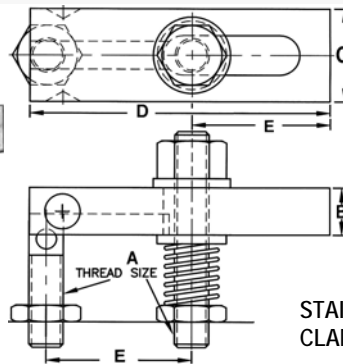
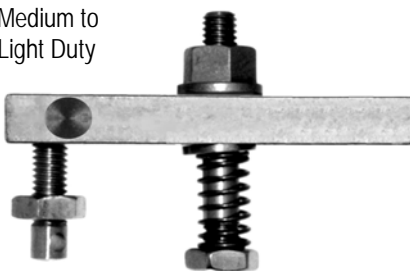


STAINLESS PART NO.	A STUD SIZE	B HT.	C WIDE	D LEN	E SLOT TO RADIUS	F TRAVEL SLOT	J SLOT	K HEEL SLOT	L HEEL WIDTH
UDB-917450S	#10–32	1/4	1/2	1-1/2	3/4	1/2	7/32	3/32	7/32
UDB-917452S	#10–32	1/4	1/2	2	1	3/4	7/32	3/32	7/32
UDB-917454S	1/4–20	3/8	5/8	1-1/2	3/4	1/2	9/32	1/8	9/32
UDB-917456S	1/4–20	3/8	5/8	2	1	3/4	9/32	1/8	9/32
UDB-917458S	1/4–20	3/8	5/8	2-1/2	1-1/4	1	9/32	1/8	9/32
UDB-917460S	5/16–18	3/8	3/4	2	1	5/8	11/32	5/32	11/32
UDB-917462S	5/16–18	3/8	3/4	2-1/2	1-1/4	7/8	11/32	5/32	11/32
UDB-917464S	5/16–18	3/8	3/4	3	1-1/2	1-1/8	11/32	5/32	11/32
UDB-917466S	3/8–16	1/2	1	3	1-1/2	1-1/8	27/64	3/16	13/32

UNITED CLAMP	ASSEMBLY TYPES AVAILABLE								
SNW Spherical Flange Nut & Washer	FN Flange Nut	NSWS Nut & Spherical Washer Set	HKSWS Hand Knob & Spherical Washer Set	ANSWS Acorn Nut & Spherical Washer Set	BKSWS Bar Knob & Spherical Washer Set	FNSWS Flange Nut & Spherical Washer Set	KK Knurled Knob	KKSWS Knurled Knob & Spherical Washer Set	QAHKSWS Quick Acting Hand Knob & Spherical Washer Set

STAINLESS STEEL MINIATURE SLOTTED HEEL PLAIN NOSE CLAMP ASSEMBLY

Medium to Light Duty



Select any of the above assemblies and add the suffix letters in bold to the part number below and we will fax you details of the assembly items together with prices and dimensions.

Example: UDB-917480S-QAHKSWS

The greatest pressure is exerted on the part rather than the strap clamp.

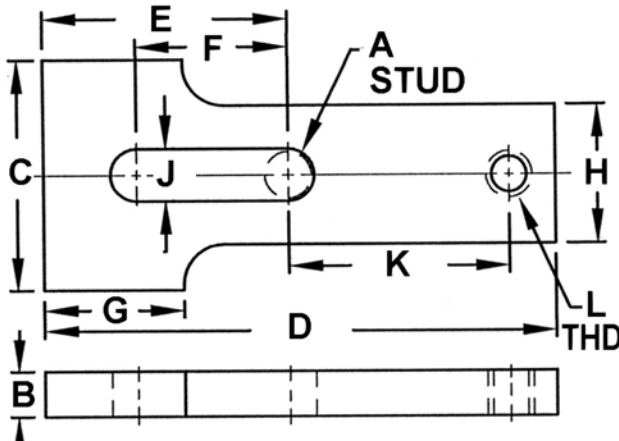
STAINLESS STEEL SINGLE END PLAIN NOSE SLOTTED HEEL STRAP CLAMP ASSEMBLIES are MINIATURE in 300 SERIES STAINLESS STEEL.

STAINLESS ASSEMBLY	A THD	B HT.	C WIDE	D LEN	E SLOT LEN	CLAMP STRAP	CLAMP REST	SPRING	FLAT WASHER	STUD	JAM NUT	FLANGE NUT
UDB-917480S	#10–32	1/4	1/2	1-1/2	21/32	UDB-917450S	UDB-930672S	UDB-936050S	UDB-926545S	UDB-940868S	UDB-925392S	UDB-925146S
UDB-917482S	#10–32	1/4	1/2	2	29/32	UDB-917452S	UDB-930672S	UDB-936050S	UDB-926545S	UDB-940868S	UDB-925392S	UDB-925146S
UDB-917484S	1/4–20	3/8	5/8	1-1/2	5/8	UDB-917454S	UDB-930678S	UDB-936055S	UDB-926550S	UDB-940870S	UDB-925400S	UDB-925150S
UDB-917486S	1/4–20	3/8	5/8	2	7/8	UDB-917456S	UDB-930678S	UDB-936055S	UDB-926550S	UDB-940870S	UDB-925400S	UDB-925150S
UDB-917488S	1/4–20	3/8	5/8	2-1/2	1-1/8	UDB-917458S	UDB-930678S	UDB-936055S	UDB-926550S	UDB-940870S	UDB-925400S	UDB-925150S
UDB-917490S	5/16–18	3/8	3/4	2	27/32	UDB-917460S	UDB-930682S	UDB-936060S	UDB-926560S	UDB-940882S	UDB-925405S	UDB-925155S
UDB-917492S	5/16–18	3/8	3/4	2-1/2	1-3/32	UDB-917462S	UDB-930682S	UDB-936060S	UDB-926560S	UDB-940882S	UDB-925405S	UDB-925155S
UDB-917494S	5/16–18	3/8	3/4	3	1-11/32	UDB-917464S	UDB-930682S	UDB-936060S	UDB-926560S	UDB-940882S	UDB-925405S	UDB-925155S
UDB-917496S	3/8–16	1/2	1	3	1-5/16	UDB-917466S	UDB-930690S	UDB-936065S	UDB-926565S	UDB-940888S	UDB-925410S	UDB-925160S

Stainless Tapped Heel Wide Nose Clamps & Assy

Miniature Tapped Wide Nose Clamps

MINIATURE STAINLESS STEEL WIDE NOSE TAPPED HEEL STRAP CLAMPS



300 SERIES STAINLESS STEEL - available in aluminum

Clamping screws and rear supports fit the WIDE NOSE TAPPED HEEL CLAMP STRAPS allowing the clamp to slide forward and back to load and unload your work piece.

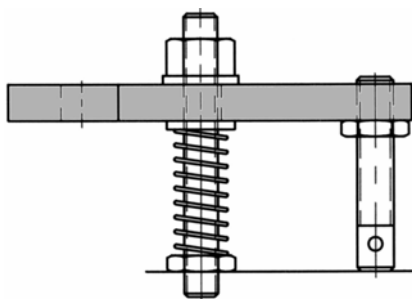
The stud leveling feet can be used as a rear support. Stud sized slots available as specials in 10-32, 5/16-18 and 3/8-16. Refer to Section I for other stud leveling feet.

STAINLESS PART NO.	A STUD SIZE	B HT.	C WIDE	D OAL	E SLOT TO NOSE	F TRAVEL SLOT	G NOSE WIDTH	H HEEL WIDTH	J SLOT DIA	K THD TO SLOT	L HEEL THD
UDB-917470S	1/4-20	1/4	1-1/4	2-3/4	1-5/16	13/16	3/4	3/4	9/32	1-3/16	1/4-20

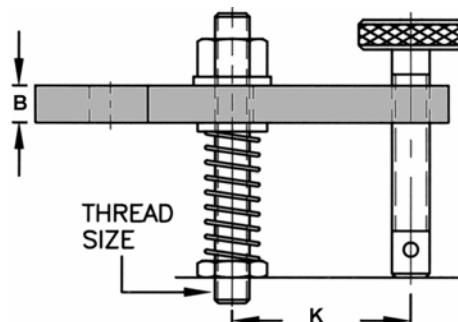
UNITED CLAMP	ASSEMBLY TYPES AVAILABLE			HKSWS		BKSWS		FNSWS		KK		KKSWS		QAHKWS		
SNW Spherical Flange Nut & Washer	FN Flange Nut	NSWS Nut & Spherical Washer Set	HKSWS Hand Knob & Spherical Washer Set	ANSWS Acorn Nut & Spherical Washer Set	BKSWS Bar Knob & Spherical Washer Set	FNSWS Flange Nut & Spherical Washer Set	KK Knurled Knob	KKSWS Knurled Knob & Spherical Washer Set	QAHKWS Quick Acting Hand Knob & Spherical Washer Set	HKSWS Hand Knob & Spherical Washer Set	ANSWS Acorn Nut & Spherical Washer Set	BKSWS Bar Knob & Spherical Washer Set	FNSWS Flange Nut & Spherical Washer Set	KK Knurled Knob	KKSWS Knurled Knob & Spherical Washer Set	QAHKWS Quick Acting Hand Knob & Spherical Washer Set

STAINLESS STEEL MINIATURE WIDE NOSE TAPPED HEEL CLAMP ASSEMBLY

Select any of the above assemblies and add the suffix letters in bold to the part number below and we will fax you details of the assembly items together with prices and dimensions. Example: UDB-917500S-KKSWS



CLAMP REST ASSEMBLY



KNURLED HEAD SCREW ASSEMBLY

Straps available in aluminum



KNURLED HEAD SCREW ASSEMBLY

The greatest pressure is exerted on the part rather than the strap clamp.

WIDE NOSE TAPPED HEEL STRAP CLAMP ASSEMBLIES are MINIATURE in 300 STAINLESS STEEL.

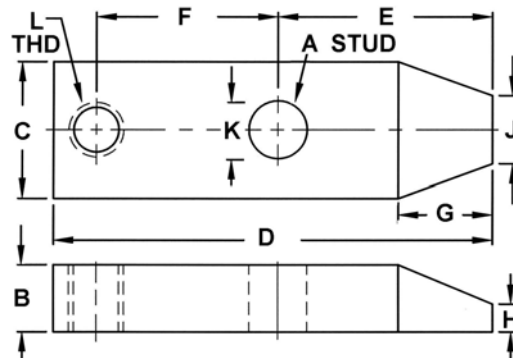
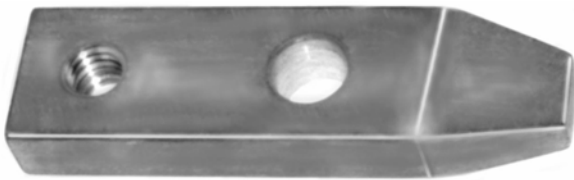
KNURLED HD SCREW ASSEMBLY	CLAMP REST ASSEMBLY	A THD	B	C	K	CLAMP STRAP	KNURLED HD SCREW	CLAMP REST	SPRING	FLAT WASHER	STUD	JAM NUT	FLANGE NUT
UDB-917500S	UDB-917502S	1/4-20	1/4	1-1/4	1-3/16	UDB-917470S	UDB-923206S	UDB-930678S	UDB-936055S	UDB-926550S	UDB-940870S	UDB-925400S	UDB-925150S

Miniature Tapered Nose Clamps

Stainless Tapered Nose Tapped Heel Clamps & Assy

STAINLESS STEEL TAPERED NOSE TAPPED HEEL MINIATURE STRAP CLAMPS

300 SERIES STAINLESS STEEL



TAPERED NOSE TAPPED HEEL CLAMP STRAPS are perfect for tight spaces. These miniature clamps hold without obstructing your work.

Select tapped heel support from custom selection on page G17.

Small in size — Big in holding power!

Stud sized slots available in 10–32, 1/4–20, 5/16–18 & 3/8–16.

STAINLESS PART NO.	A STUD SIZE	B HT.	C WIDE	D LEN	E STUD LOCATION	F TAPPED HOLE	G NOSE LENGTH	H THICK	J WIDTH NOSE	K DIA. for STUD A	L REST THD
UDB-917340S	#10-32	1/4	1/2	1-1/2	11/16	19/32	3/8	1/8	1/4	7/32	#10-32
UDB-917342S	#10-32	1/4	1/2	2	15/16	27/32	3/8	1/8	1/4	7/32	#10-32
UDB-917344S	1/4-20	3/8	5/8	2	15/16	13/16	15/32	5/32	5/16	9/32	1/4-20
UDB-917346S	1/4-20	3/8	5/8	2-1/2	1-3/16	1-1/16	15/32	5/32	5/16	9/32	1/4-20
UDB-917348S	5/16-18	3/8	3/4	2-1/2	1-5/32	1	9/16	3/16	3/8	11/32	5/16-18
UDB-917350S	3/8-16	1/2	1	3-1/2	1-21/32	1-15/32	3/4	1/4	1/2	27/64	3/8-16

300 SERIES STAINLESS STEEL

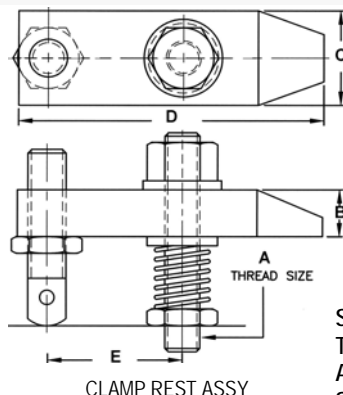
UNITED CLAMP	ASSEMBLY TYPES AVAILABLE									
SNW Spherical Flange Nut & Washer	FN Flange Nut	NSWS Nut & Spherical Washer Set	HKSWS Hand Knob & Spherical Washer Set	ANSWS Acorn Nut & Spherical Washer Set	BKSWS Bar Knob & Spherical Washer Set	FNSWS Flange Nut & Spherical Washer Set	KK Knurled Knob	KKSWS Knurled Knob & Spherical Washer Set	QAHSWS Quick Acting Hand Knob & Spherical Washer Set	

STAINLESS STEEL TAPERED NOSE TAPPED HEEL MINIATURE STRAP CLAMP ASSEMBLY



CLAMP REST ASSY

The greatest pressure is exerted on the part rather than the strap clamp.

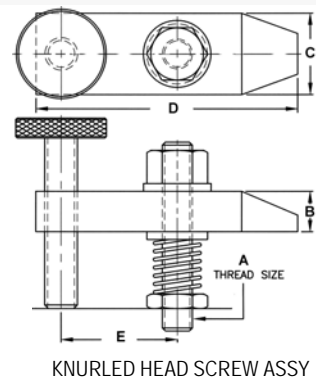


CLAMP REST ASSY

Select any of the above assemblies and add the suffix letters in bold to the part number below and we will fax you details of the assembly items together with prices and dimensions.

Example: UDB-917360S-FN

STAINLESS STEEL TAPERED NOSE TAPPED HEEL STRAP CLAMP ASSEMBLIES are MINIATURE in 300 SERIES STAINLESS STEEL.



KNURLED HEAD SCREW ASSY

KNURLED HD SCREW ASSY	CLAMP REST ASSY	A	B	C	E	CLAMP STRAP	KNURLED HD SCREW	CLAMP REST	SPRING	FLAT WASHER	STUD	JAM NUT	FLANGE NUT
UDB-917360S	UDB-917372S	#10-32	1/4	1/2	19/32	UDB-917340S	UDB-923204S	UDB-930672S	UDB-936050S	UDB-926545S	UDB-940868S	UDB-925392S	UDB-925146S
UDB-917362S	UDB-917374S	#10-32	1/4	1/2	27/32	UDB-917342S	UDB-923204S	UDB-930672S	UDB-936050S	UDB-926545S	UDB-940868S	UDB-925392S	UDB-925146S
UDB-917364S	UDB-917376S	1/4-20	3/8	5/8	13/16	UDB-917344S	UDB-923206S	UDB-930678S	UDB-936055S	UDB-926550S	UDB-940870S	UDB-925400S	UDB-925150S
UDB-917366S	UDB-917378S	1/4-20	3/8	5/8	1-1/16	UDB-917346S	UDB-923206S	UDB-930678S	UDB-936055S	UDB-926550S	UDB-940870S	UDB-925400S	UDB-925150S
UDB-917368S	UDB-917380S	5/16-18	3/8	3/4	1	UDB-917348S	UDB-923220S	UDB-930682S	UDB-936060S	UDB-926560S	UDB-940882S	UDB-925405S	UDB-925155S
UDB-917370S	UDB-917382S	3/8-16	1/2	1	1-15/32	UDB-917350S	UDB-923224S	UDB-930690S	UDB-936065S	UDB-926565S	UDB-940888S	UDB-925410S	UDB-925160S