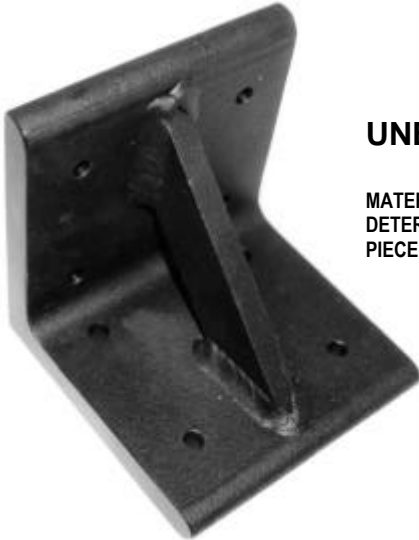


**Pre-Drilled Angles
Standard Support**

Pre-Drilled Standard Support Angles

UDB-750200 Series

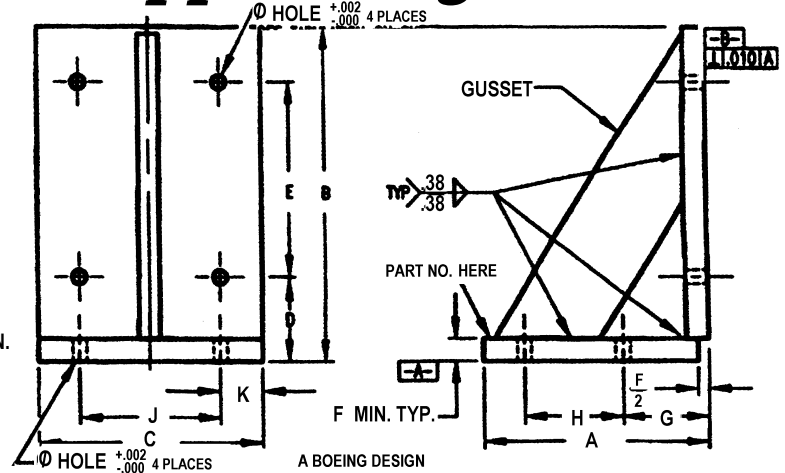


Add "A" for Aluminum.

UNEQUAL LEGS

MATERIAL AVAILABILITY DETERMINES ONE OR TWO PIECE ANGLE CONSTRUCTION.

REF UT-7502



This Pre-Drilled Unequal Leg Support Angle is provided in Hot Rolled Steel. Add "A" for Aluminum AL 6061-T6 to Part Number. Example: UDB-750201-A

The mating material structure's tolerances are critical to continuous accurate function of this tool. Black Oxide protective finish.

Gusset Thickness:

- 3/8" for UDB-750201 thru UDB-750208
- 1/2" for UDB-750209 thru UDB-750216
- 3/4" for UDB-750217 thru UDB-750224

UNITED PART NO.	A	B	C	D	E	F MIN.	G	H	HOLE DIA.	J	K
UDB-750201	4.0	6.0	4.0	1.5	3.500	.40	1.5	1.750	.250	2.500	.7
UDB-750202	4.0	6.0	6.0	1.5	3.500	.40	1.5	1.750	.250	4.500	.7
UDB-750203	4.0	6.0	8.0	1.5	3.500	.40	1.5	1.750	.250	6.500	.7
UDB-750204	4.0	6.0	10.0	1.5	3.500	.40	1.5	1.750	.250	8.500	.7
UDB-750205	4.0	8.0	4.0	2.0	5.000	.65	1.5	1.750	.375	2.500	.7
UDB-750206	4.0	8.0	6.0	2.0	5.000	.65	1.5	1.750	.375	4.500	.7
UDB-750207	4.0	8.0	8.0	2.0	5.000	.65	1.5	1.750	.375	6.500	.7
UDB-750208	4.0	8.0	10.0	2.0	5.000	.65	1.5	1.750	.375	8.500	.7
UDB-750209	4.0	10.0	4.0	4.0	5.000	.90	1.8	1.500	.375	2.500	.7
UDB-750210	4.0	10.0	6.0	4.0	5.000	.90	1.8	1.500	.375	4.500	.7
UDB-750211	4.0	10.0	8.0	4.0	5.000	.90	1.8	1.500	.375	6.500	.7
UDB-750212	4.0	10.0	10.0	4.0	5.000	.90	1.8	1.500	.375	8.500	.7
UDB-750213	6.0	8.0	4.0	2.0	5.000	.90	2.0	3.000	.500	2.000	1.0
UDB-750214	6.0	8.0	6.0	2.0	5.000	.90	2.0	3.000	.500	4.000	1.0
UDB-750215	6.0	8.0	8.0	2.0	5.000	.90	2.0	3.000	.500	6.000	1.0
UDB-750216	6.0	8.0	10.0	2.0	5.000	.90	2.0	3.000	.500	8.000	1.0
UDB-750217	8.0	10.0	4.0	4.0	5.000	.90	2.0	5.000	.500	2.000	1.0
UDB-750218	8.0	10.0	6.0	4.0	5.000	.90	2.0	5.000	.500	4.000	1.0
UDB-750219	8.0	10.0	8.0	4.0	5.000	.90	2.0	5.000	.500	6.000	1.0
UDB-750220	8.0	10.0	10.0	4.0	5.000	.90	2.0	5.000	.500	8.000	1.0
UDB-750222	10.0	12.0	6.0	6.0	5.000	.90	2.0	6.000	.625	3.500	1.2
UDB-750223	10.0	12.0	8.0	6.0	5.000	.90	2.0	6.000	.625	5.500	1.2
UDB-750224	10.0	12.0	10.0	6.0	5.000	.90	2.0	6.000	.625	7.500	1.2

UDB-750300 Gusseted Series

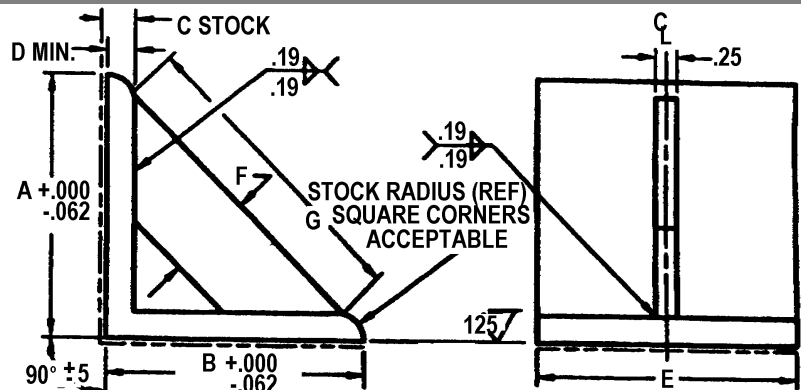
Material is ASTM A36 steel. Aluminum when specified is A6061-T6.



Add "A" for Aluminum.

EXAMPLE:
UDB-750301-A

REF UT-7503

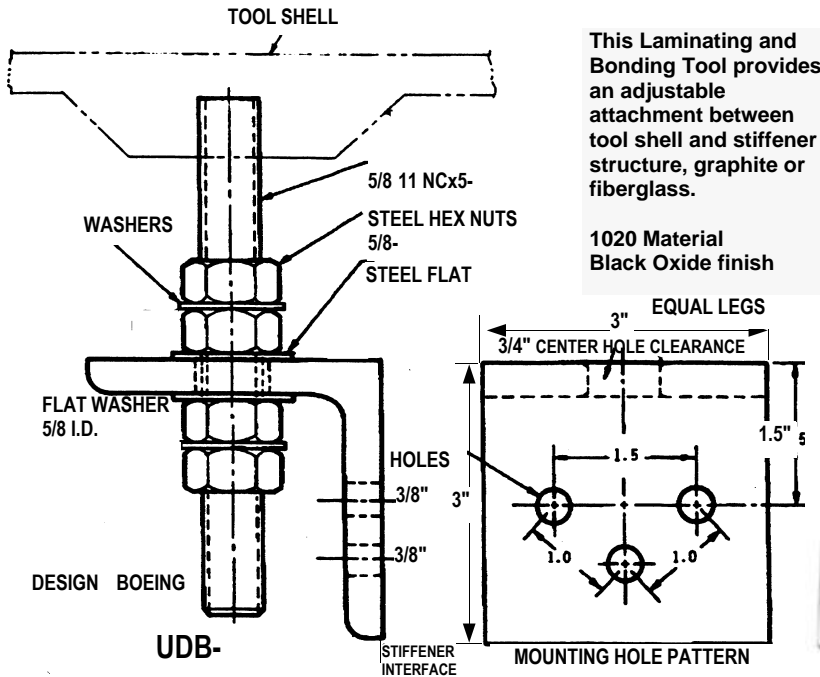


UNITED PART NO.	A	B	C	D MIN.	E	F	G
UDB-750301	2	3	.38	.312	2	.88	2.75
UDB-750302	2	3	.38	.312	3	.88	2.75
UDB-750303	3	3	.38	.312	2	1.0	3.44
UDB-750304	3	3	.38	.312	3	1.0	3.44
UDB-750305	3	3	.38	.312	4	1.0	3.44
UDB-750306	4	4	.38	.312	3	1.0	4.81
UDB-750307	4	4	.38	.312	4	1.0	4.81
UDB-750308	4	4	.38	.312	5	1.0	4.81
UDB-750309	3	3	.50	.438	2	1.0	3.25
UDB-750310	3	3	.50	.438	3	1.0	3.25
UDB-750311	3	3	.50	.438	4	1.0	3.25
UDB-750312	3	4	.50	.438	2	1.25	3.86
UDB-750313	3	4	.50	.438	3	1.25	3.86
UDB-750314	4	4	.50	.438	3	1.00	4.62
UDB-750315	4	4	.50	.438	4	1.00	4.62
UDB-750316	4	4	.50	.438	5	1.00	4.62
UDB-750317	6	4	.50	.438	4	1.50	6.25
UDB-750318	6	4	.50	.438	5	1.50	6.25
UDB-750319	6	4	.50	.438	6	1.50	6.25
UDB-750320	6	6	.50	.438	4	1.50	7.44
UDB-750321	6	6	.50	.438	5	1.50	7.44
UDB-750322	6	6	.50	.438	6	1.50	7.44

Stress Relieved — Black Oxide finish

Support With the Best Angles

Attachment and Support Angles

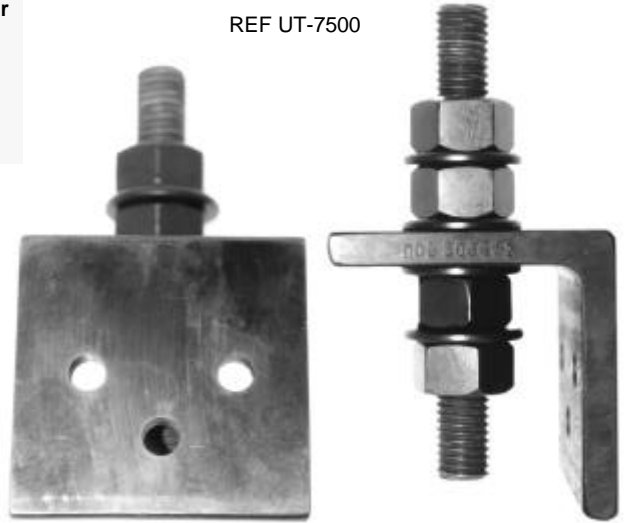


This Laminating and Bonding Tool provides an adjustable attachment between tool shell and stiffener structure, graphite or fiberglass.

1020 Material
Black Oxide finish

ADJUSTABLE ATTACHMENT ASSEMBLY For Laminating and Bonding Tools

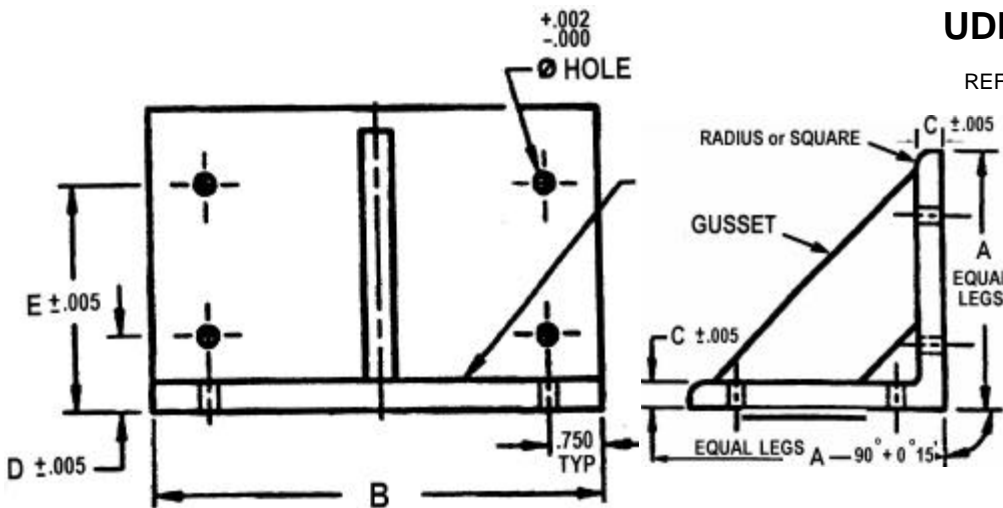
REF UT-7500



SUPPORT ANGLE - EQUAL LEGS - OPTIONAL GUSSET - STEEL/ALUMINUM

UDB-750100 SERIES

REF UT-7501



UNITED PART NO.	A	B	C (MIN.)	D	E	HOLE DIA.
UDB-750101	4.0	4.0	.400	1.000	3.000	.250
UDB-750102	4.0	6.0	.400	1.000	3.000	.250
UDB-750103	4.0	8.0	.400	1.000	3.000	.250
UDB-750104	4.0	10.0	.400	1.000	3.000	.250
UDB-750105	6.0	4.0	.400	2.000	4.500	.375
UDB-750106	6.0	6.0	.400	2.000	4.500	.375
UDB-750107	6.0	8.0	.400	2.000	4.500	.375
UDB-750108	6.0	10.0	.400	2.000	4.500	.375
UDB-750109	8.0	4.0	.900	2.000	6.500	.500
UDB-750110	8.0	6.0	.900	2.000	6.500	.500
UDB-750111	8.0	8.0	.900	2.000	6.500	.500
UDB-750112	8.0	10.0	.900	2.000	6.500	.500

Material is Hot Rolled Steel or Aluminum. Add "A" to Part Number for aluminum. Steel will be provided unless "A" is specified.

The machine surfaces and holes are CNC manufactured on machining centers.

Gusset thickness:

3/8" for UDB-750101 thru UDB-750108

1/2" for UDB-750109 thru UDB-750112

Add "G" to Part Number for Gusset.

Black Oxide preservative finish.

Mating structure tolerances are critical to the continuous accurate function of this tool.

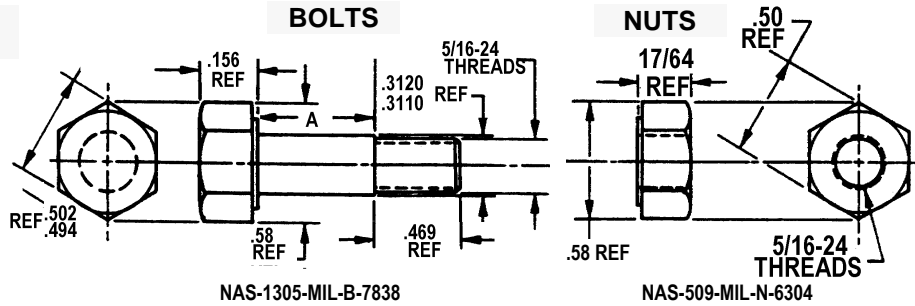
Bolts & Nuts-Close Tolerances for CADT Erector Sets-Angles

CADT CLOSE TOLERANCES—PLAIN and with LOCK WIRE HOLES

UDB-130510 PLAIN Series

Computer Aided Design Tools (CADT) REF CTS-174A

For Inspection and Check Fixtures

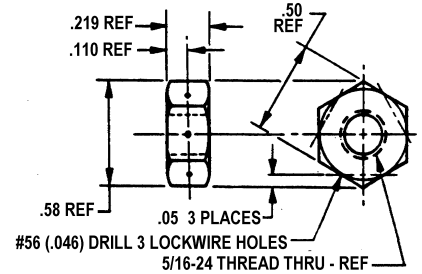
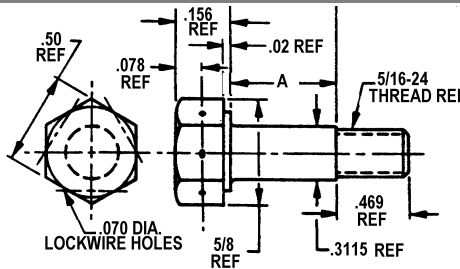


UCC-130510H HOLE Series

With Lockwire Holes
REF CTS-174B

Use with CADT Angles
Close Tolerance

ALL BOLTS PROVIDED WITH NUTS



PLAIN PART NO.	HOLE PART NO.	A REF
UCC-130506	UCC-130506H	.375
UCC-130508	UCC-130508H	.500
UCC-130510	UCC-130510H	.625
UCC-130512	UCC-130512H	.750
UCC-130514	UCC-130514H	.875

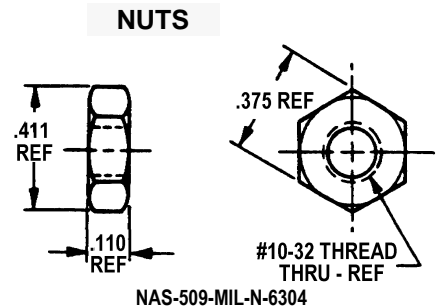
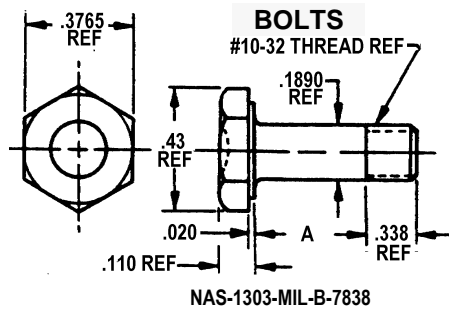
PLAIN PART NO.	HOLE PART NO.	A REF
UCC-130516	UCC-130516H	1.000
UCC-130518	UCC-130518H	1.125
UCC-130520	UCC-130520H	1.250
UCC-130522	UCC-130522H	1.375
UCC-130524	UCC-130524H	1.500

PLAIN PART NO.	HOLE PART NO.	A REF
UCC-130526	UCC-130526H	1.625
UCC-130528	UCC-130528H	1.750
UCC-130530	UCC-130530H	1.875
UCC-130532	UCC-130532H	2.000
UCC-130536	UCC-130536H	2.250

UCC-130303 PLAIN Series

NAS-1303-MIL-B-7838

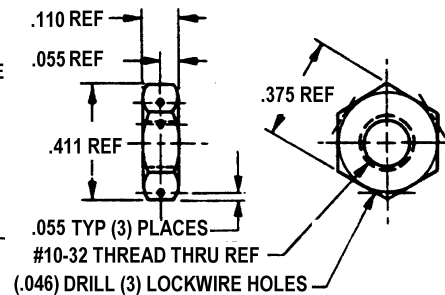
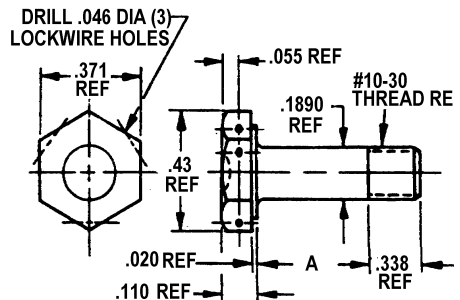
Computer Aided Design Tools (CADT) REF CTS-174D



UCC-130303H HOLE Series

For Inspection and Check Fixtures
Close Tolerance REF CTS-174E

ALL BOLTS PROVIDED WITH NUTS



PLAIN PART NO.	HOLE PART NO.	A REF
UCC-130303	UCC-130303H	.188
UCC-130304	UCC-130304H	.250
UCC-130305	UCC-130305H	.312
UCC-130306	UCC-130306H	.375

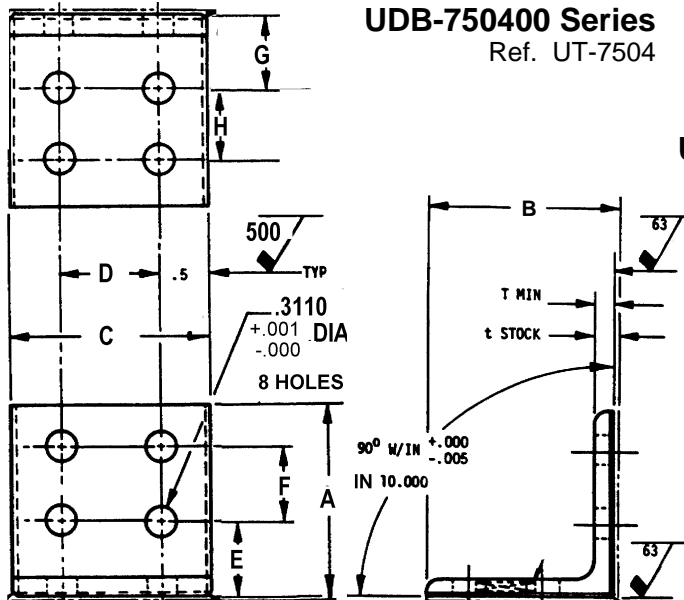
PLAIN PART NO.	HOLE PART NO.	A REF
UCC-130307	UCC-130307H	.438
UCC-130308	UCC-130308H	.500
UCC-130314	UCC-130314H	.875

CADT Precision Angles

Precision Angles

UDB-750400 Series Ref. UT-7504

WITH LOCATING HOLES FOR ERECTOR SET
CADT ULTRA PRECISION ANGLES



Used with NAS Bolts, Screws & Nuts
See page E16.

ALL CENTER LINES ARE HELD
WITHIN $\pm .0015$.

PROTECTIVE PACKAGING.
BLACK OXIDE FINISH.
PER MIL-C-13924A.
Manufactured in A36 Steel.

TOLERANCES: X = $\pm .1$
XX = $\pm .030$
XXX = $\pm .010$
ANGLES ARE $\pm .5^\circ$

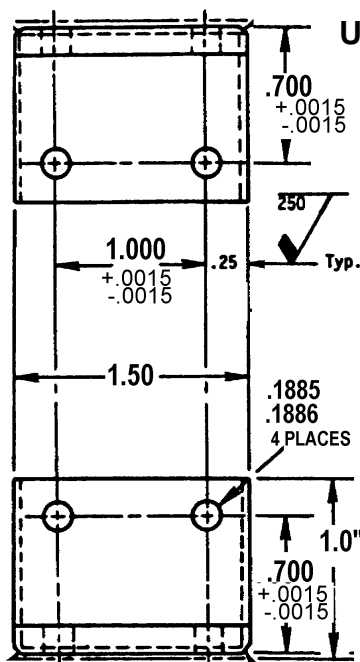


UNITED-BAC NO.	MDC NO.	t	T	A	B	C	D $\pm .0025$	E $\pm .0025$	F $\pm .0025$	G $\pm .0025$	H $\pm .0025$
UDB-750401	CTS-153-1	5/16	1/4	2	2	2	1.000	.750	.750	.750	.750
UDB-750402	CTS-153-5	5/16	1/4	2	2	4	3.000	.750	.750	.750	.750
UDB-750403	CTS-153-2	5/16	1/4	3	2	2	1.000	.750	1.500	.750	.750
UDB-750404	CTS-153-9	1/2	3/8	3	3	3	2.000	1.125	1.250	1.125	1.250
UDB-750405	CTS-153-3	1/2	3/8	4	4	3	2.000	1.000	2.000	1.000	2.000
UDB-750406	CTS-153-10	1/2	3/8	4	4	4	3.000	1.125	2.000	1.125	2.000
UDB-750407	CTS-153-4	1/2	3/8	6	4	4	3.000	1.500	3.500	1.500	1.500
UDB-750408	CTS-153-6	1/2	3/8	6	6	4	3.000	1.500	3.500	1.500	3.500
UDB-750409	CTS-153-8	5/8	1/2	6	4	6	5.000	1.500	3.500	1.500	1.500
UDB-750410	CTS-153-7	5/8	1/2	6	6	6	5.000	1.500	3.500	1.500	3.500

ULTRA PRECISION ANGLES

* THIS SAME ANGLE IS ALSO MANUFACTURED FOR McDONNELL DOUGLAS FOR MDC TOLERANCES. "DEFGH" DIMENSIONS ARE ALL $\pm .0015$.

When ordering this part for MDC, add suffix "MDC" to Part Number.



UDB-751532 CADT PRECISION SMALL ANGLE BRACKETS

MACHINED ON CNC MACHINING CENTERS. ALL CORNERS AND EDGES HAVE .010 x 45° CHAMFERS. BLACK OXIDE PROTECTION TO MIL 13924A.

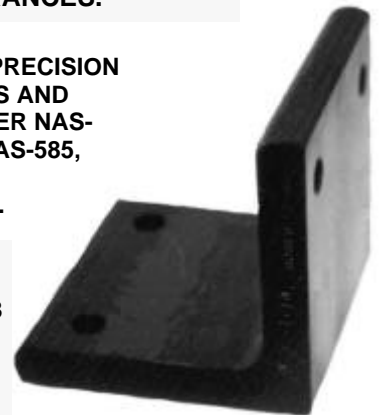
IDEAL FOR BOLTING TOGETHER AS AN ERECTOR SET

THE 90° ANGLE AND 8 LOCATING HOLES ARE MACHINED TO CLOSER TOLERANCES. REF CTS-153M

USE WITH HIGH PRECISION LOCATING BOLTS AND NUTS (Pg.E16) PER NAS-509, NAS-1305, NAS-585, AND NAS-1303 SPECIFICATIONS.

UDB-751532 is used with UDB-130510 thru 130536, UDB-130510W, UDB-585008 BOLTS and NUTS to NAS-498 and NAS-1303 SPECIFICATIONS.

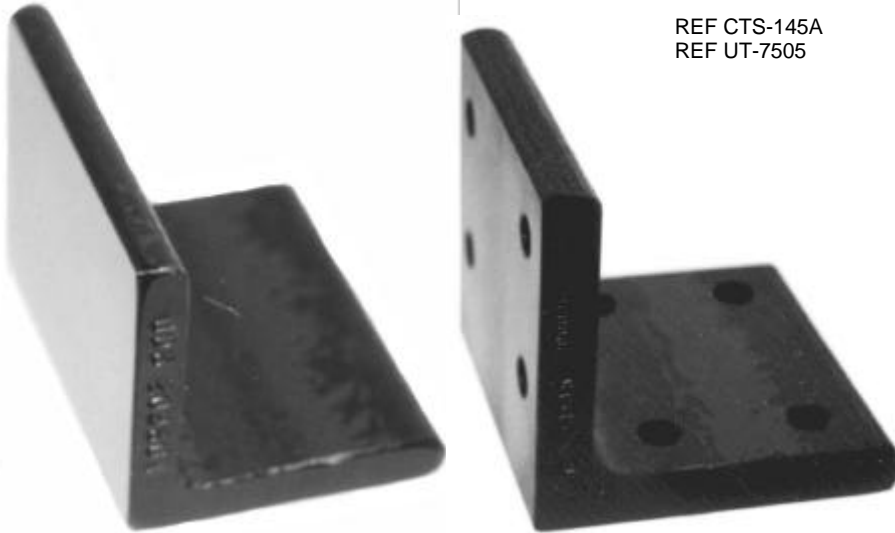
See Catalog Page E16 for Bolts and Nuts.



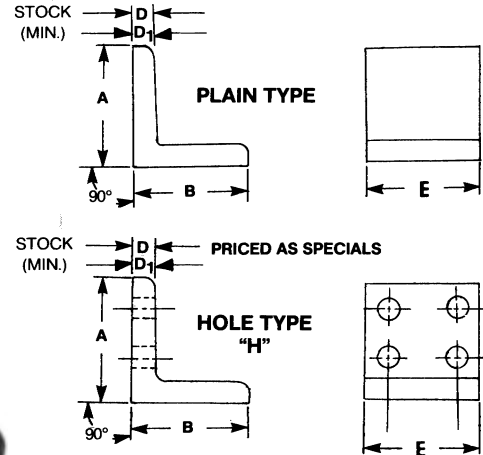
Angle Clips

Fixture It With UNITED Angle Clips

UNITED ANGLE CLIPS — PLAIN and HOLE TYPES



REF CTS-145A
REF UT-7505



Standard UDB mounting holes and dimensions supplied unless otherwise specified.

MACHINED SQUARE AND PARALLEL — CADT DIMENSIONS HELD — BLACK OXIDE FINISH

UNITED's strong machined steel Angles are ideal for Drill Fixtures and Jigs. Angle Clips are available in a full range of sizes. 1020 Steel Mil Spec C-13924A.

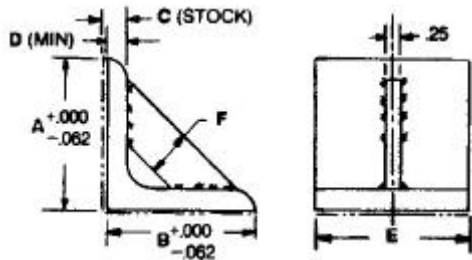
ADD 'H' AFTER PART NO. FOR HOLE STYLE. — ADD 'A' AFTER PART NO. FOR ALUMINUM ANGLES.

PART NO.	A	B	D ₁ Min.	E	D STOCK	PART NO.	A	B	D ₁ Min.	E	D STOCK
UDB-209601	1-1/2	1-1/2	7/32	2	1/4	UDB-209650	4	4	5/16	4	3/8
UDB-209603	1-1/2	1-1/2	7/32	3	1/4	UDB-209651	4	4	7/16	3	1/2
UDB-209605	1-1/2	1-1/2	7/32	4	1/4	UDB-209652	3	3	7/16	2	1/2
UDB-209607	1-1/2	1-1/2	7/32	5	1/4	UDB-209653	4	4	7/16	4	1/2
UDB-209609	1-1/2	1-1/2	7/32	6	1/4	UDB-209654	3	3	7/16	3	1/2
UDB-209611	2	2	5/16	2	3/8	UDB-209655	4	4	7/16	5	1/2
UDB-209613	2	2	5/16	3	3/8	UDB-209656	3	3	7/16	4	1/2
UDB-209615	2	2	5/16	4	3/8	UDB-209657	4	4	7/16	6	1/2
UDB-209617	2	2	5/16	5	3/8	UDB-209658	3	4	7/16	2	1/2
UDB-209619	2	2	5/16	6	3/8	UDB-209659	6	4	7/16	3	1/2
UDB-209621	2	2	7/323	2	1/4	UDB-209660	3	4	7/16	3	1/2
UDB-209623	2	2	7/323	3	1/4	UDB-209661	6	4	7/16	4	1/2
UDB-209625	2	2	7/323	4	1/4	UDB-209663	6	4	7/16	5	1/2
UDB-209627	2	2	7/323	5	1/4	UDB-209665	6	4	7/16	6	1/2
UDB-209629	2	2	7/323	6	1/4	UDB-209667	6	6	7/16	3	1/2
UDB-209630	2	2-1/2	7/323	1-1/2	1/4	UDB-209669	6	6	7/16	4	1/2
UDB-209631	3	2	5/16	2	3/8	UDB-209671	6	6	7/16	5	1/2
UDB-209633	3	2	5/16	3	3/8	UDB-209673	6	6	7/16	6	1/2
UDB-209635	3	2	5/16	4	3/8	UDB-209675	3	3	1/2	3	9/16
UDB-209637	3	2	5/16	5	3/8	UDB-209677	4	4	1/2	3	9/16
UDB-209639	3	2	5/16	6	3/8	UDB-209679	4	4	1/2	4	9/16
UDB-209641	3	3	5/16	2	3/8	UDB-209681	6	4	1/2	4	9/16
UDB-209643	3	3	5/16	3	3/8	UDB-209683	6	6	1/2	4	9/16
UDB-209645	3	3	5/16	4	3/8	UDB-209685	6	4	5/8	6	11/16
UDB-209647	3	3	5/16	5	3/8	UDB-209687	6	6	5/8	6	11/16
UDB-209649	3	3	5/16	6	3/8						

HOLE MOUNTING DIMENSIONS SUPPLIED ON REQUEST

Angles and Trunnions

Gusseted Angles And Trunnions

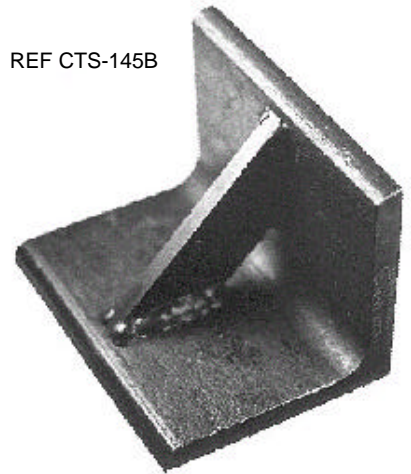


BLACK OXIDE FINISH

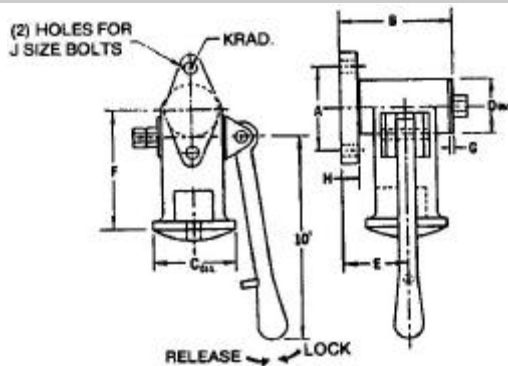
Add suffix 'A' to Part No. for ALUMINUM Gusseted Angles.

GUSSETED ANGLE BRACKETS

REF CTS-145B



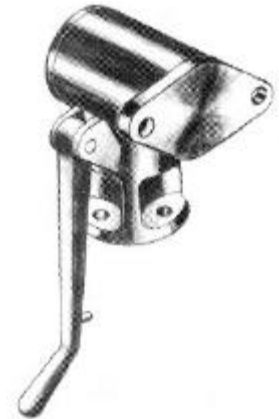
PART NO.	A	B	C	D Min.	E	F	PART NO.	A	B	C	D Min.	E	F
UDB-209804	2	3	3/8	.312	2	.88	UDB-209810	4	3	1/2	.438	2	1.25
UDB-209805	2	3	3/8	.312	3	.88	UDB-209811	4	3	1/2	.438	3	1.25
UDB-209801	3	3	3/8	.312	2	1.00	UDB-209814	4	4	1/2	.438	3	1.00
UDB-209802	3	3	3/8	.312	3	1.00	UDB-209815	4	4	1/2	.438	4	1.00
UDB-209803	3	3	3/8	.312	4	1.00	UDB-209816	4	4	1/2	.438	5	1.00
UDB-209806	4	4	3/8	.312	3	1.00	UDB-209817	6	4	1/2	.438	4	1.50
UDB-209807	4	4	3/8	.312	4	1.00	UDB-209818	6	4	1/2	.438	5	1.50
UDB-209808	4	4	3/8	.312	5	1.00	UDB-209819	6	4	1/2	.438	6	1.50
UDB-209809	3	3	1/2	.438	2	1.00	UDB-209820	6	6	1/2	.438	4	1.50
UDB-209812	3	3	1/2	.438	3	1.00	UDB-209821	6	6	1/2	.438	5	1.50
UDB-209813	3	3	1/2	.438	4	1.00	UDB-209822	6	6	1/2	.438	6	1.60



SPHERICAL TRUNNIONS

IDEAL FOR MOUNTING ON PIPE FRAMES.

LOCK BY LOWERING HANDLE



PART NO.	A	B	C	D	E	F	G	H	J	K
UDB-910008	4	4-13/16	3-5/8	2-3/4	3	4-3/16	5/16	7/8	3/8	1/2
UDB-910010	5-5/8	6-11/16	5-1/8	4-1/16	4	5-5/8	1/2	1	5/8	1

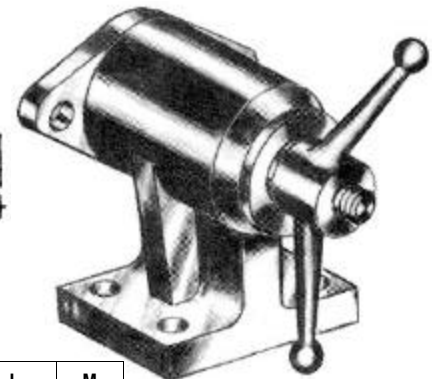
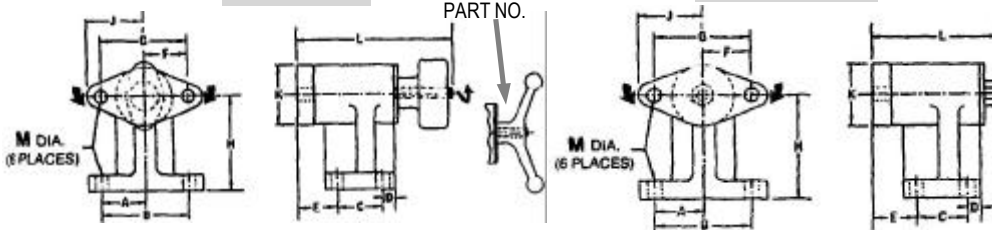
TRUNNIONS are USED IN PAIRS, ONE REVOLVING and ONE LOCKING.
TOUGH, STRONG MOUNTINGS FOR REVOLVING TOOLS.

REVOLVING and LOCKING TRUNNIONS

LOCKING

ALTERNATE SPEEDBALL HANDLE.
TO ORDER AS SPECIAL, ADD 'SB' SUFFIX TO PART NO.

REVOLVING



PART NO.	TYPE	A	B	C	D	E	F	G	H	J	K	L	M
UDB-910000L	LOCKING	2	4	2-3/8	1/2	1-7/8	2	4	4	2-5/8	3-1/4	7	13/32
UDB-910000R	REVOLVING	2	4	2-3/8	1/2	1-7/8	2	4	4	2-5/8	3-1/4	5-15/32	13/32
UDB-9100006L	LOCKING	2-7/8	5-3/4	3-3/8	3/4	2-5/8	2-13/16	5-5/8	5-1/4	3-3/4	4-1/4	7-5/8	21/32
UDB-9100006R	REVOLVING	2-7/8	5-3/4	3-3/8	3/4	2-5/8	2-13/16	5-5/8	5-1/4	3-3/4	4-1/4	9	21/32

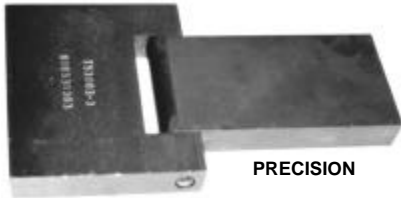
12200 WOODRUFF AVE. DOWNEY, CA 90241-5608 TELEPHONE (562) 803-1521 / (800) 421-3466 IN CA / (800) 486-3466 FAX (562) 803-6898 / (800) 486-3465
EMAIL united@ucc-udb.com WEBSITE www.ucc-udb.com

Adjustable Angles

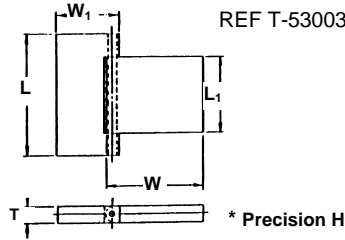
Adjustable & Hinged Angles

FOR PLATFORMS-GENERAL PURPOSE-
TEMPORARY and PERMANENT LOCATORS

DRILL PLATE HINGES



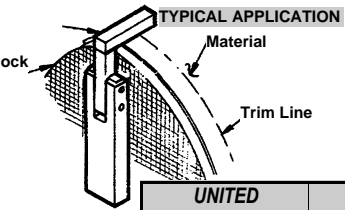
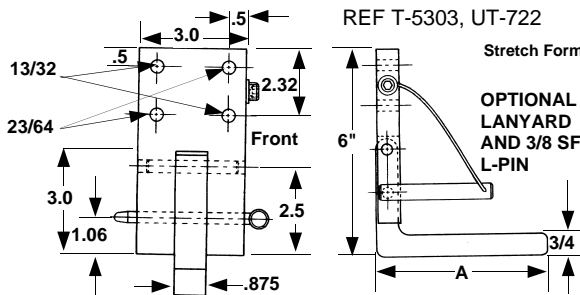
UDB-530303 Series



UNITED PART NO.	L	L ₁ NOM	W	W ₁	T
UDB-530303	3-1/2	2	4	3	5/8
*UDB-530305	3-1/2	2	4	3	5/8
UDB-530307	2-1/2	1-1/2	3	2	1/2
*UDB-530309	2-1/2	1-1/2	3	2	1/2
UDB-530311	1-3/4	1	2-1/2	1-3/4	3/8
*UDB-530313	1-3/4	1	2-1/2	1-3/4	3/8
UDB-530315	1-3/4	1	6	4	3/8
*UDB-530317	1-3/4	1	6	4	3/8

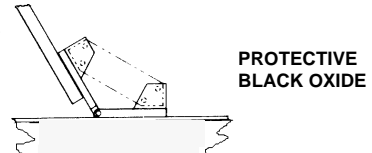
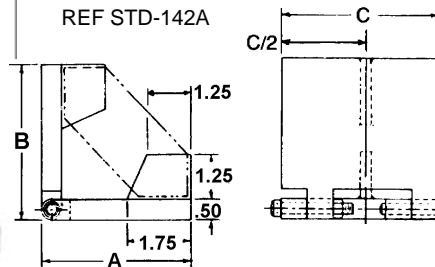
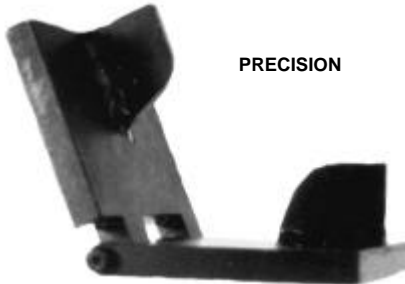
* Precision Hinges have .0025 max. clearance between tongue & clevis.

SWING ARM DRILL PLATES FOR STRETCH BLOCKS UDB-530304 Series



UNITED PART NO.	A ARM DIM.
UDB-530304	4
UDB-530306	6
UDB-530308	8

ADJUSTABLE GUSSETED LOCATORS UDB-530331 Series



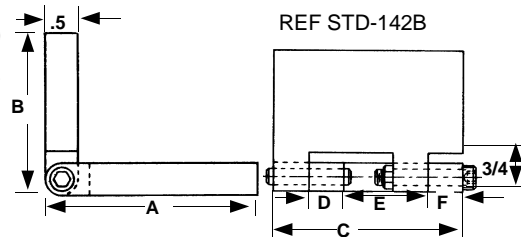
UNITED PART NO.	A	B	C	D	E	F
UDB-530331	3	3	3	5/8	1-1/8	5/8
UDB-530332	3	3	4	3/4	1-3/4	3/4
UDB-530333	4	3	4	3/4	1-3/4	3/4
UDB-530334	4	4	4	3/4	1-3/4	3/4

ADJUSTABLE PRECISION ANGLES-Permanent Pin

Accurately machined ends. Hinge has close tolerance. Available Plain or with Tabs for welding on gussets or with a Removable Pin.



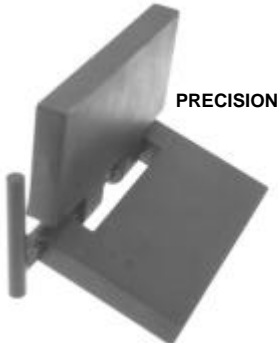
UDB-530340 Series



UNITED PART NO.	A	B	C	D	E	F
UDB-530340	3	3	3	5/8	1-1/8	5/8
UDB-530341	3	3	4	3/4	1-3/4	3/4
UDB-530342	4	3	4	3/4	1-3/4	3/4
UDB-530343	4	4	4	3/4	1-3/4	3/4

ADJUSTABLE PRECISION ANGLES-Removable Pin

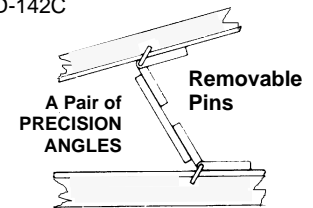
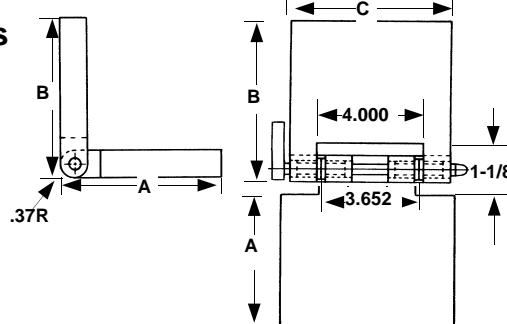
REF STD-142C



UDB-530344 Series

Use to remove control boards and other locators.

Pull pins to remove quickly with ease.



UNITED PART NO.	A	B	C
UDB-530344	4.0	4.0	6.0
UDB-530346	6.0	6.0	6.0

Swing With UNITED

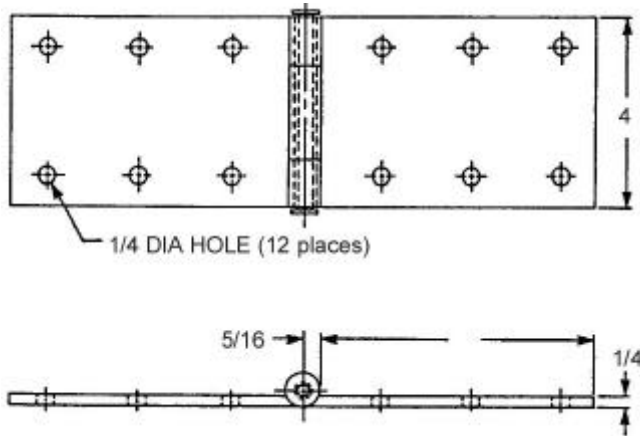
Precision Hinges

PLATFORM HINGES

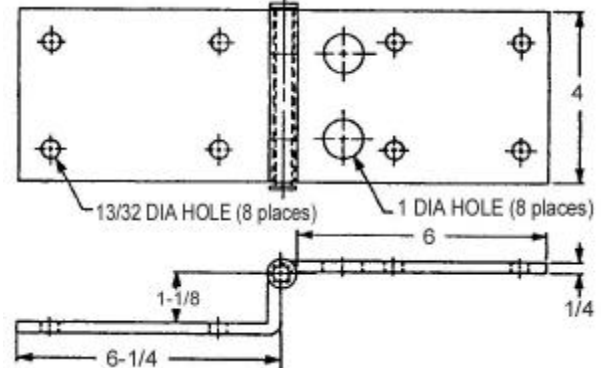
MANUFACTURED AS ORDERED FROM SEMI FINISHED



TYPE I UDB-516501

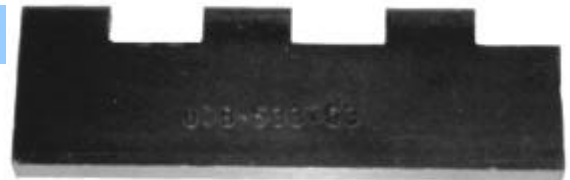


TYPE II UDB-516521

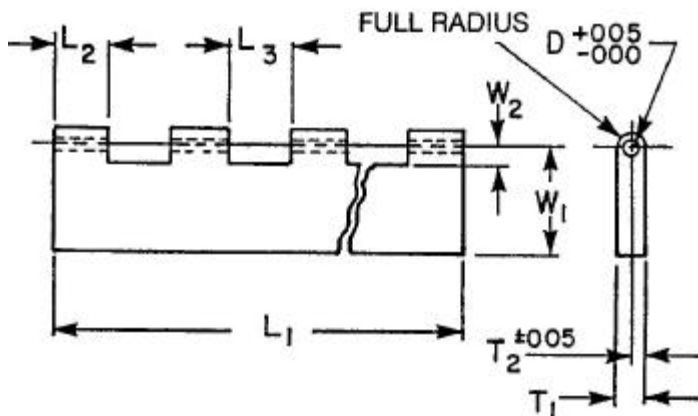


INDEXING HINGES

DURABLE STEEL — BLACK OXIDE FINISH



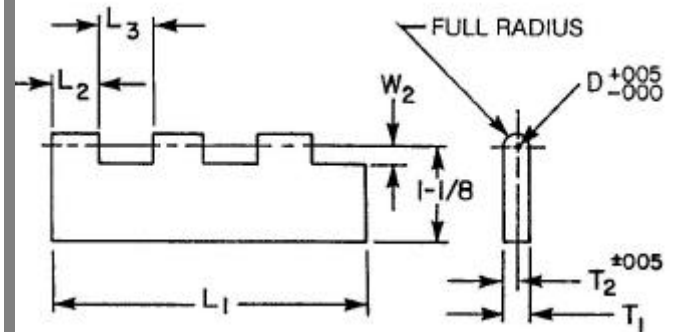
INDEXING HINGES — STANDARD



Provides Precision Centerline location only.

PART NO.	MAX. L ₁	L ₂	L ₃	W ₁	W ₂	T ₁	T ₂	D
UDB-533603	11-7/8	.605	.645	1-1/8	3/16	1/4	.125	.133
UDB-533605	11-7/8	.605	.645	1-1/8	3/16	1/4	.125	.123
UDB-533607	11-7/8	.605	.645	1-5/32	1/8	3/16	.093	.093
UDB-533609	12-1/2	.480	.520	1-1/8	3/16	1/4	.125	.133
UDB-533611	12-1/2	.480	.520	1-1/8	3/16	1/4	.125	.123
UDB-533613	12-1/2	.480	.520	1-5/32	1/8	3/16	.093	.093

INDEXING HINGES — PRECISION



Provides Both Precision Centerline and Linear Indexing.

PART NO.	MAX. L ₁	L ₂	L ₃	W ₂	T ₁	T ₂	D
UDB-533703	3-11/16	.620	.630	3/16	1/4	.125	.133
UDB-533705	3-11/16	.620	.630	3/16	1/4	.125	.123
UDB-533707	3-11/16	.620	.630	1/8	3/16	.093	.093
UDB-533709	2-15/16	.495	.505	3/16	1/4	.125	.133
UDB-533711	2-15/16	.495	.505	3/16	1/4	.125	.123
UDB-533713	2-15/16	.495	.505	1/8	3/16	.093	.093