

UNITED E-X-T-E-N-D-E-D Range

**Extended Range
Drill Jig Bushings**

For Heavy Duty Applications requiring Bushings of standardized dimensions larger than those provided by the A.N.S.I. standard Bushings.



LOCK SCREWS and
ROUND CLAMPS
USED WITH SF and SFX

ALL BUSHINGS SHOWN ARE IN THIS SECTION

STANDARD SIZES: All Extended Range Bushing inside diameters in 1/64 increments are Standard *UNITED* sizes.
SPECIAL SIZES: All other sizes are Special. When changing any Catalog Standard, please add the suffix 'SP.'
IDENTIFICATION: Special identification or marking can be stamped or etched on request.
HARDNESS: Rockwell RC-61-65 in the hole.
CONCENTRICITY: Extended Range Finished Ground Press Fit Bushings are held to a concentricity of .0005 T.I.
TOLERANCE: I.D. Tolerance is nominal +.0003 +.0007.
LEAD: All Finished Ground Extended Range Bushings feature a concentric

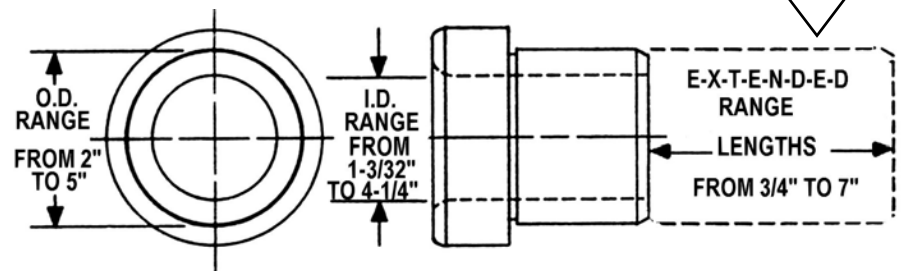
Specify suffix U for **UNGROUND** with O.D. Tolerances of **+.015 to +.020**
GROUND O.D. Tolerances are shown.

Manufactured as ordered from semi-finished.

EXTENDED RANGE BUSHINGS
ARE NOT RETURNABLE FOR CREDIT.

ORDERING EXAMPLE: **4—P—288—48—3-3/8 (3.3750)** Specify:

QUANTITY	BUSHING TYPE	O.D.	LENGTH	I.D. TO 4 DECIMAL PLACES
4	Press Fit P	4-1/2 288	3" 48	3-3/8" 3.3750

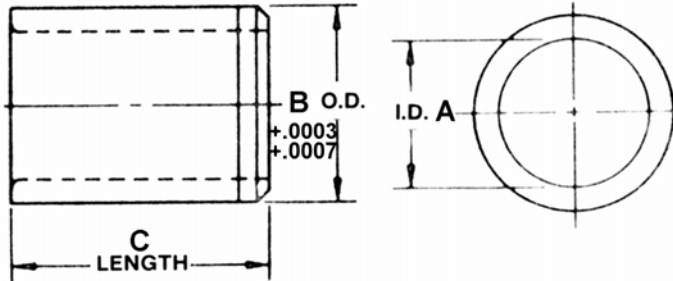


P - PU Headless Press Fit Bushings

For HEAVY DUTY Applications

**Extended Range
Headless Press Fit**

Best Precision - Best Prices Anywhere!



STANDARD SIZES: All Extended Range Bushing inside diameters in 1/64 increments are Standard *UNITED* sizes.

SPECIAL SIZES: All other sizes are Special. When changing any Catalog Standard, please add the suffix 'SP.'

IDENTIFICATION: Special identification or marking can be stamped or etched on request.

HARDNESS: Rockwell C61-65 in the hole.

CONCENTRICITY: Extended Range Finished Ground Bushings are held to a concentricity of .0005 T.I.R.

TOLERANCE: I.D. Tolerance is nominal $+.0003$ $+.0007$.

LEAD: All Finished Ground Extended Range Bushings feature a concentric ground lead.

EXTENDED RANGE BUSHINGS ARE NOT RETURNABLE FOR CREDIT.

**EXTENDED
Headless
Press Fit
P and PU**

BIG - TOUGH

**SPECIFY 'P' FOR GROUND
SPECIFY 'PU' FOR UNGROUND**

**Specify suffix U for UNGROUND with
O.D. Tolerances of $+.015$ to $+.020$.
GROUND O.D. Tolerances are shown.**



QUANTITY DISCOUNT FOR SAME SIZE AND TYPE:

1 - 3	4 - 6	7 - 12	13 - 24	25 - 49	50 - 99	100 & Up
List	-8%	-18%	-25%	-30%	-33%	-35%

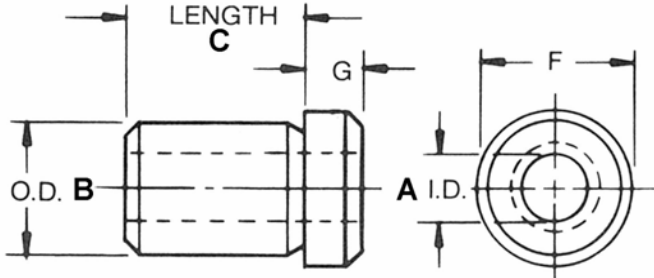
A I.D. RANGE		B O.D. SIZE			ANSI SYMBOL	C FRACTIONAL LENGTH / ANSI LENGTH SYMBOL BY 16ths																						
METRIC REF. ONLY NOM. / METRIC	U.S.A. INCH DECIMAL	U.S.A. INCH ACTUAL		ANSI		3/4	1"	1-1/4	1-1/2	1-3/4	2"	2-1/8	2-1/4	2-1/2	2-3/4	3"	3-1/4	3-1/2	3-3/4	4"	4-1/4	4-1/2	4-3/4	5"	5-1/2	6"	6-1/2	7"
FROM - TO	FROM - TO	NOM.	MAX - MIN	SYMBOL	-12	-16	-20	-24	-28	-32	-34	-36	-40	-44	-48	-52	-56	-60	-64	-68	-72	-76	-80	-88	-96	-104	-112	
1-1/2 - 2 38.00MM - 50.00MM	1.5000 - 2.0000 1.4961 - 1.9685	2-3/8	2.3775 - 2.3771	P-152	29.98	31.64	33.86	36.35	38.02	39.96	40.98	42.90	45.23	50.23	58.55	60.50	62.16	63.55	64.66	66.55	68.82	71.04	73.26					
1-1/2 - 2-1/8 38.00MM - 50.00MM	1.5000 - 2.1250 1.4961 - 1.9685	2-1/2	2.5025 - 2.5021	P-160	30.80	33.55	34.13	37.13	38.85	41.07	42.18	44.40	47.88	51.15	59.39	61.33	62.99	66.67	65.45	67.99	70.21	72.43	74.53					
1-1/2 - 2-3/8 38.00MM - 60.00MM	1.5000 - 2.3750 1.4961 - 2.3622	2-3/4	2.7525 - 2.7521	P-176	39.27	40.77	42.37	45.19	46.46	48.13	49.30	51.23	53.96	60.22	65.32	69.58	71.60	73.03	74.65	76.87	78.81	81.03	83.05					
1-3/4 - 2-1/2 44.00MM - 62.00MM	1.7500 - 2.5000 1.7323 - 2.4409	3"	3.0028 - 3.0023	P-192	47.96	48.68	50.88	52.45	53.90	55.28		59.11	61.05	68.75	71.60	73.70	76.31	77.00	78.81	82.42	85.19	87.69	91.30					
2-1/4 - 2-3/4 55.00MM - 65.00MM	2.2500 - 2.7500 2.1654 - 2.5591	3-1/4	3.2528 - 3.2523	P-208	61.33	63.27	64.10	64.90	67.00	67.93		71.78	73.70	76.59	78.81	81.03	83.25	84.70	86.90	89.10	92.13	94.35	97.35					
2-1/4 - 2-7/8 55.00MM - 70.00MM	2.2500 - 2.8750 2.1654 - 2.7559	3-3/8	3.3778 - 3.3773	P-216	62.43	64.31	65.21	66.60	68.20	69.65		73.54	75.08	77.55	80.20	82.70	84.15	86.86	88.55	90.75	93.80	96.29	99.90	104.06				
2-1/2 - 3 60.00MM - 75.00MM	2.5000 - 3.0000 2.3622 - 2.9528	3-1/2	3.5028 - 3.5023	P-224	64.94	65.21	66.60	68.82	69.93	73.98		77.98	81.03	84.36	88.25	91.58	96.02	100.18	104.06	107.12	110.00	114.33	117.43	122.38				
2-1/2 - 3-1/8 60.00MM - 75.00MM	2.5000 - 3.1250 2.3622 - 2.9528	3-3/4	3.7528 - 3.7523	P-240	65.73	67.10	68.82	72.33	75.48	78.53		80.85	82.23	87.69	90.19	94.63	97.68	102.12	106.28	109.45	114.89	118.77	122.93	131.26	138.60			
2-3/4 - 3-3/8 65.00MM - 85.00MM	2.7500 - 3.3750 2.5591 - 3.3465	4"	4.0028 - 4.0023	P-256	67.99	69.03	72.15	74.65	76.87	79.37		81.95	84.70	88.25	91.85	95.46	99.07	102.68	106.56	111.56	115.50	121.27	126.26	136.25	145.69	155.12		
3 - 3-5/8 75.00MM - 90.00MM	3.0000 - 3.6250 2.9528 - 3.5433	4-1/4	4.2530 - 4.2525	P-272	69.38	71.60	73.82	75.90	79.37	81.95		84.70	88.25	91.30	94.63	97.96	101.84	106.01	110.17	115.16	119.88	124.60	129.87	139.86	149.85	159.84		
3 - 3-3/4 75.00MM - 95.00MM	3.0000 - 3.7500 2.9528 - 3.7402	4-3/8	4.3780 - 4.3775	P-280	71.60	73.54	76.59	78.81	81.31	83.05		85.80	90.19	93.52	97.13	101.29	105.17	109.89	114.33	119.33	124.04	129.04	134.03	144.58	155.12	164.84	172.33	
3-3/8 - 3-7/8 80.00MM - 95.00MM	3.3750 - 3.8750 3.1496 - 3.7402	4-1/2	4.5030 - 4.5025	P-288	74.65	76.04	79.20	81.40	84.36	85.80		90.19	93.24	96.85	100.18	104.34	107.95	112.94	117.66	122.66	127.93	133.20	138.47	149.30	159.84	170.39	182.60	
3-3/8 - 4-1/8 80.00MM - 100.00MM	3.3750 - 4.1250 3.1496 - 3.9370	4-3/4	4.7530 - 4.7525	P-304	78.26	80.03	82.50	84.70	87.69	90.19		93.24	96.57	100.18	103.51	107.67	111.56	116.27	120.99	126.54	131.81	137.64	143.19	153.74	165.11	175.38	189.81	
3-5/8 - 4-1/4 90.00MM - 105.00MM	3.6250 - 4.2500 3.5433 - 4.1339	5"	5.0030 - 5.0025	P-320	82.70	85.25	88.25	91.85	95.18	98.70		102.12	105.45	109.34	112.67	116.55	121.27	125.40	131.54	137.64	143.19	152.90	159.84	165.11	175.94	187.31	199.52	

UNITED's Highly Popular and Practical Extended Range Bushings!

H - HU Head Press Fit Bushings

For HEAVY DUTY Applications

Best Precision - Best Prices Anywhere!



QUANTITY DISCOUNT FOR SAME SIZE AND TYPE:						
1 - 3	4 - 6	7 - 12	13 - 24	25 - 49	50 - 99	100 & Up
List	-8%	-18%	-25%	-30%	-33%	-35%

STANDARD SIZES: All Extended Range Bushing inside diameters in 1/64 increments are Standard *UNITED* sizes.
SPECIAL SIZES: All other sizes are Special. When changing any Catalog Standard, please add the suffix 'SP.'
IDENTIFICATION: Special identification or marking can be stamped or etched on request.
HARDNESS: Rockwell C61-65 in the hole.
CONCENTRICITY: Extended Range Finished Ground Bushings are held to a concentricity of .0005 T.I.R.
TOLERANCE: I.D. Tolerance is nominal +.0003 +.0007.
LEAD: All Finished Ground Extended Range Bushings feature a concentric ground lead.
EXTENDED RANGE BUSHINGS ARE NOT RETURNABLE FOR CREDIT.

Extended Range Head Press Fit

EXTENDED Head Press Fit H and HU

BIG — TOUGH
 SPECIFY 'H' FOR GROUND
 SPECIFY 'HU' FOR UNGROUND
 Specify suffix U for UNGROUND with O.D. Tolerances of +.015 to +.020.
 GROUND O.D. Tolerances are shown.



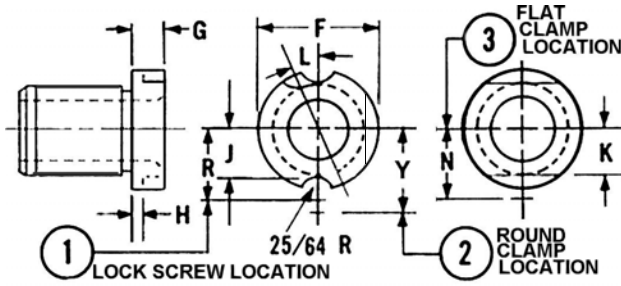
A I.D. RANGE		B O.D. SIZE			ANSI SYMBOL	C FRACTIONAL LENGTH UNDER HEAD / ANSI LENGTH SYMBOL BY 16ths																				TECHNICAL									
METRIC REF. ONLY NOM. / METRIC FROM - TO	U.S.A. INCH DECIMAL FROM - TO	NOM.	MAX. -	MIN		3/4	1"	1-1/4	1-1/2	1-3/4	2"	2-1/8	2-1/4	2-1/2	2-3/4	3"	3-1/4	3-1/2	3-3/4	4"	4-1/4	4-1/2	4-3/4	5"	5-1/2	6"	6-1/2	7"	F	G					
1-1/2 - 2 38.00MM - 50.00MM	1.5000 - 2.0000 1.4961 - 1.9685	2-3/8	2.3775 -	2.3771	H-152	31.08	33.30	34.97	38.02	39.38	41.25	42.35	45.10	47.18	52.17	60.50	62.16	64.10	65.49	66.88	68.82	71.60	73.26	76.04						2-3/4	3/8				
1-1/2 - 2-1/8 38.00MM - 50.00MM	1.5000 - 2.1250 1.4961 - 1.9685	2-1/2	2.5025 -	2.5021	H-160	31.63	33.83	35.48	38.50	39.88	42.08	43.18	45.93	47.58	53.00	61.50	63.30	65.21	66.00	67.99	69.58	72.05	74.65	77.00						2-3/4	3/8				
1-1/2 - 2-3/8 38.00MM - 60.00MM	1.5000 - 2.3750 1.4961 - 2.3622	2-3/4	2.7525 -	2.7521	H-176	46.90	49.12	50.31	51.10	52.45	55.50	56.41	58.08	60.77	62.44	64.64	67.06	69.00	70.76	72.98	75.00	77.50	80.00	83.81						3"	3/8				
1-3/4 - 2-1/2 44.00MM - 60.00MM	1.7500 - 2.5000 1.7323 - 2.3622	3"	3.0028 -	3.0023	H-192	50.23	52.00	54.30	56.06	58.00	61.05		63.27	65.77	67.16	70.01	72.15	75.40	76.59	78.53	80.48	83.20	85.45	89.08						3-1/4	3/8				
2-1/4 - 2-3/4 55.00MM - 65.00MM	2.2500 - 2.7500 2.1654 - 2.5591	3-1/4	3.2528 -	3.2523	H-208	65.49	66.60	67.51	68.54	70.49	72.15		75.48	77.70	80.75	82.97	84.92	87.14	89.63	92.13	94.35	96.29	99.07	102.68						3-1/2	3/8				
2-1/4 - 2-7/8 55.00MM - 70.00MM	2.2500 - 2.8750 2.1654 - 2.7559	3-3/8	3.3778 -	3.3773	H-216	66.05	67.43	68.54	69.60	71.32	72.98		76.59	78.81	81.31	83.81	86.03	88.25	90.40	92.69	95.18	97.13	100.18	103.51	107.95						3-5/8	3/8			
2-1/2 - 3 60.00MM - 75.00MM	2.5000 - 3.0000 2.3622 - 2.9528	3-1/2	3.5028 -	3.5023	H-224	67.99	68.82	71.60	72.00	78.81	82.70		86.58	90.19	95.18	99.62	104.34	110.17	115.44	120.16	124.32	128.48	132.09	136.81	141.25						3-7/8	1/2			
2-1/2 - 3-1/8 60.00MM - 75.00MM	2.5000 - 3.1250 2.3622 - 2.9528	3-3/4	3.7528 -	3.7523	H-240	70.21	73.26	76.50	80.40	84.36	88.52		92.41	95.74	99.62	104.06	108.70	113.22	118.22	122.93	127.65	132.37	137.64	142.36	152.07	161.51						4-1/8	1/2		
2-3/4 - 3-3/8 65.00MM - 85.00MM	2.7500 - 3.3750 2.5591 - 3.3465	4"	4.0028 -	4.0023	H-256	78.53	80.48	83.25	86.03	89.08	92.13		95.46	98.70	102.40	106.28	110.40	114.33	119.05	123.77	129.04	134.59	140.42	145.97	157.07	168.17	179.27						4-3/8	1/2	
3 - 3-5/8 75.00MM - 90.00MM	3.0000 - 3.6250 2.9528 - 3.5433	4-1/4	4.2530 -	4.2525	H-272	79.92	82.97	85.47	88.25	92.69	95.46		98.70	101.84	105.73	109.34	113.22	117.66	122.38	127.65	133.20	138.75	144.30	150.41	161.78	173.44	184.82						4-5/8	1/2	
3 - 3-3/4 75.00MM - 95.00MM	3.0000 - 3.7500 2.9528 - 3.7402	4-3/8	4.3780 -	4.3775	H-280	82.97	85.75	87.69	91.02	93.52	96.57		100.18	104.34	108.78	112.39	117.38	121.82	127.10	132.09	137.64	143.19	149.45	155.40	167.06	178.71	190.92	203.13						4-3/4	1/2
3-3/8 - 3-7/8 80.00MM - 95.00MM	3.3750 - 3.8750 3.1496 - 3.7402	4-1/2	4.5030 -	4.5025	H-288	86.58	89.08	89.63	95.18	97.40	100.46		104.34	108.23	111.83	116.00	120.71	125.43	130.70	136.25	142.08	147.91	150.13	153.46	172.61	184.82	204.24	210.90						4-7/8	1/2
3-3/8 - 4-1/8 80.00MM - 100.00MM	3.3750 - 4.1250 3.1496 - 3.9370	4-3/4	4.7530 -	4.7525	H-304	90.47	92.96	95.74	98.51	101.57	104.34		108.23	111.56	115.72	119.88	124.60	129.04	132.92	139.86	146.52	152.63	159.01	165.11	178.16	191.20	202.52	219.78						5-1/8	1/2
3-5/8 - 4-1/4 90.00MM - 105.00MM	3.6250 - 4.2500 3.5433 - 4.1339	5"	5.0030 -	5.0025	H-320	95.74	99.07	102.40	106.28	109.89	113.78		117.66	122.10	126.26	130.15	134.59	140.69	146.52	151.79	159.01	165.67	172.05	178.71	189.81	203.13	216.17	231.16						5-3/8	1/2

SF Slip Fit Renewable Bushings

For HEAVY DUTY Applications

Extended Range
SF Slip Fit

Best Precision - Best Prices Anywhere!



STANDARD SIZES: All Extended Range Bushing inside diameters in 1/64 increments are Standard UNITED sizes.

SPECIAL SIZES: All other sizes are Special. When changing any Catalog Standard, please add the suffix 'SP.'

IDENTIFICATION: Special identification or marking can be stamped or etched on request.

HARDNESS: Rockwell C61-65 in the hole.

CONCENTRICITY: Extended Range Finished Ground Bushings are held to a concentricity of .0005 T.I.R.

TOLERANCE: I.D. Tolerance is nominal +.0003 +.0007.

LEAD: All Finished Ground Extended Range Bushings feature a concentric ground lead.

EXTENDED RANGE BUSHINGS ARE NOT RETURNABLE FOR CREDIT.

EXTENDED Slip Fit Renewable SF



BIG — TOUGH SPECIFY 'SF' FOR SLIP FIT RENEWABLE SEE THIS SECTION FOR TECHNICAL DATA.

QUANTITY DISCOUNT FOR SAME SIZE AND TYPE:

1 - 3	4 - 6	7 - 12	13 - 24	25 - 49	50 - 99	100 & Up
List	-8%	-18%	-25%	-30%	-33%	-35%

A I.D. RANGE		B O.D. SIZE			ANSI	C FRACTIONAL LENGTH UNDER HEAD / ANSI LENGTH SYMBOL BY 16ths																								
METRIC REF. ONLY NOM. / METRIC	U.S.A. INCH DECIMAL	NOM.	MAX.	MIN.		3/4	1"	1-1/4	1-1/2	1-3/4	2"	2-1/8	2-1/4	2-1/2	2-3/4	3"	3-1/4	3-1/2	3-3/4	4"	4-1/4	4-1/2	4-3/4	5"	5-1/2	6"	6-1/2	7"		
FROM - TO	FROM - TO				SYMBOL	-12	-16	-20	-24	-28	-32	-34	-36	-40	-44	-48	-52	-56	-60	-64	-68	-72	-76	-80	-88	-96	-104	-112		
1-3/32 - 1-17/32 27.00MM - 38.00MM	1.0937 - 1.5312 1.0630 - 1.4961	2"	2.0000 - 1.9996		SF-128	33.86	34.13	36.30	38.57	40.43	44.96	46.62	48.29	51.06	53.90	60.50	64.94	67.20	68.82	72.71	74.65	76.00	78.38	81.03						
1-1/2 - 2-1/32 38.00MM - 50.00MM	1.5000 - 2.0312 1.4961 - 1.9685	2-1/2	2.5000 - 2.4996		SF-160	54.50	56.61	59.11	61.61	64.38	68.32	71.68	74.39	76.84	79.38	81.93	84.19	87.01	88.21	91.53	94.36	97.18	101.46	106.02						
1-1/2 - 2-9/32 38.00MM - 55.00MM	1.5000 - 2.2812 1.4961 - 2.1654	2-3/4	2.7500 - 2.7496		SF-176	67.71	71.04	72.76	76.16	77.97	80.64	83.06	85.32	88.14	90.72	93.24	96.05	99.47	103.04	105.66	108.02	110.98	114.29	117.88						
1-3/4 - 2-17/32 44.00MM - 60.00MM	1.7500 - 2.5312 1.7323 - 2.3622	3"	3.0000 - 2.9996		SF-192	76.16	79.03	82.14	84.08	87.41	89.65		92.96	96.32	101.84	105.37	108.76	113.00	117.24	121.76	126.56	131.93	137.58	142.38						
2-1/4 - 2-5/8 55.00MM - 65.00MM	2.2500 - 2.6250 2.1654 - 2.5591	3-1/4	3.2500 - 3.2496		SF-208	77.70	82.37	84.75	88.35	91.25	94.92		100.05	103.21	103.13	107.25	116.00	121.90	126.79	130.25	134.81	138.14	143.64	148.47						
2-1/4 - 2-7/8 55.00MM - 70.00MM	2.2500 - 2.8750 2.1654 - 2.7559	3-3/8	3.3750 - 3.3746		SF-216	79.09	82.60	87.01	90.68	94.64	100.34		104.94	109.25	113.85	118.74	124.20	129.66	135.41	138.51	143.46	146.21	150.20	153.90	161.88					
2-5/8 - 2-7/8 65.00MM - 70.00MM	2.6250 - 2.8750 2.5591 - 2.7559	3-1/2	3.5000 - 3.4996		SF-224	83.66	84.84	89.27	92.94	97.18	102.64		107.53	111.55	116.44	121.61	126.79	132.25	136.80	142.60	146.49	151.05	156.18	161.31	172.04					
2-1/2 - 3-1/8 60.00MM - 75.00MM	2.5000 - 3.1250 2.3622 - 2.9528	3-3/4	3.7500 - 3.7496		SF-240	84.19	87.86	91.25	94.36	100.91	105.51		109.83	114.43	118.74	122.55	129.09	134.55	140.30	146.05	150.48	156.47	161.31	167.87	177.98	190.38				
2-3/4 - 3-1/4 65.00MM - 80.00MM	2.7500 - 3.2500 2.5591 - 3.1496	4"	4.0000 - 3.9996		SF-256	91.81	94.07	98.90	102.35	106.09	109.25		113.28	117.30	121.90	126.21	131.10	135.99	141.45	147.20	153.81	160.14	167.33	172.14	185.25	198.36	198.75			
3 - 3-1/2 75.00MM - 85.00MM	3.0000 - 3.5000 2.9528 - 3.3465	4-1/4	4.2500 - 4.2496		SF-272	93.79	96.62	101.78	104.94	108.30	113.56		117.59	121.33	125.64	127.11	135.13	139.73	145.76	150.48	158.41	164.74	171.93	178.83	190.96	204.35	218.03			
3 - 3-5/8 75.00MM - 90.00MM	3.0000 - 3.6250 2.9528 - 3.5433	4-3/8	4.3750 - 4.3746		SF-280	96.90	101.78	105.23	108.68	111.84	115.00		119.60	123.12	127.68	133.40	139.15	144.90	151.23	157.55	164.16	170.78	177.65	183.86	196.94	211.47	225.15	237.30		
3-3/8 - 3-3/4 80.00MM - 95.00MM	3.3750 - 3.7500 3.1496 - 3.7402	4-1/2	4.5000 - 4.4996		SF-288	102.93	105.45	107.81	112.29	116.15	118.45		123.91	128.51	133.11	138.29	143.75	149.21	155.25	162.15	167.58	175.95	182.85	190.61	203.21	218.31	232.56	247.19		
3-3/8 - 4" 80.00MM - 100.00MM	3.3750 - 4.0000 3.1496 - 3.9370	4-3/4	4.7500 - 4.7496		SF-304	107.24	110.69	113.15	117.30	120.75	123.91		128.51	131.68	137.71	142.60	148.06	153.81	159.85	166.75	172.71	180.12	187.53	194.94	209.76	223.18	239.40	256.79		
3-5/8 - 4-1/4 90.00MM - 105.00MM	3.6250 - 4.2500 3.5433 - 4.1339	5"	5.0000 - 4.9996		SF-320	113.85	117.88	121.90	126.50	128.54	136.50		140.30	145.48	150.08	155.25	160.71	166.32	172.71	179.55	184.52	195.51	203.70	210.33	225.15	239.15	255.08	269.79		

UNITED's Highly Popular and Practical Extended Range Bushings!

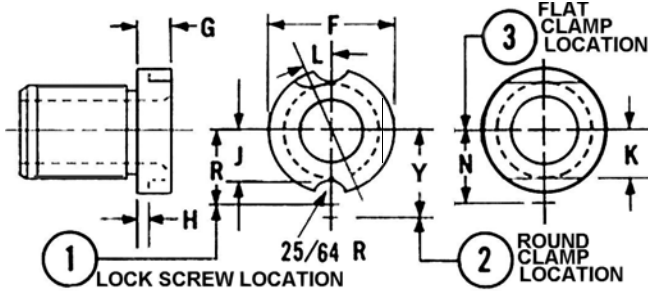
Milled Flat Slip Fit Bushings

For HEAVY DUTY Applications

**Extended Range
Milled Flat Slip Fit**

Best Precision - Best Prices Anywhere!

STANDARD SIZES: All Extended Range Bushing inside diameters in 1/64 increments are Standard *UNITED* sizes.
SPECIAL SIZES: All other sizes are *Special*. When changing any Catalog Standard, please add the suffix 'SP.'
IDENTIFICATION: Special identification or marking can be stamped or etched on request.
HARDNESS: Rockwell C61-65 in the hole.
CONCENTRICITY: Extended Range Finished Ground Bushings are held to a concentricity of .0005 T.I.R.
TOLERANCE: I.D. Tolerance is nominal +.0003 +.0007.
LEAD: All Finished Ground Extended Range Bushings feature a concentric ground lead.
EXTENDED RANGE BUSHINGS ARE NOT RETURNABLE FOR CREDIT.



**EXTENDED
Milled Flat
Slip Fit
SFX**



SPECIFY 'SFX' FOR
MILLED FLAT SLIP FIT
SEE NEXT PAGE FOR TECHNICAL DATA.

SEE FOLLOWING PAGES
FOR HL and L LINERS.

QUANTITY DISCOUNT FOR SAME SIZE AND TYPE:

1 - 3	4 - 6	7 - 12	13 - 24	25 - 49	50 - 99	100 & Up
List	-8%	-18%	-25%	-30%	-33%	-35%

A I.D. RANGE		B O.D. SIZE			ANSI SYMBOL	C FRACTIONAL LENGTH UNDER HEAD / ANSI LENGTH SYMBOL BY 16ths																											
METRIC REF. ONLY FROM - TO	U.S.A. INCH FROM - TO	NOM.	MAX - MIN	3/4		1"	1-1/4	1-1/2	1-3/4	2"	2-1/8	2-1/4	2-1/2	2-3/4	3"	3-1/4	3-1/2	3-3/4	4"	4-1/4	4-1/2	4-3/4	5"	5-1/2	6"	6-1/2	7"						
1-3/32 - 1-17/32 27.00MM - 38.00MM	1.0937 - 1.5312 1.0630 - 1.4961	2"	2.0000 - 1.9996	SFX-128	33.38	34.25	36.45	38.55	40.25	44.85	46.60	48.32	51.03	54.50	60.58	65.03	67.50	69.53	72.80	74.80	76.30	78.80	81.13										
1-1/2 - 2-1/32 38.00MM - 50.00MM	1.5000 - 2.0312 1.4961 - 1.9685	2-1/2	2.5000 - 2.4996	SFX-160	54.60	56.70	59.48	61.68	65.63	68.93	71.93	74.58	77.00	78.00	82.04	84.28	87.08	89.10	91.56	94.75	97.50	102.75	106.88										
1-1/2 - 2-9/32 38.00MM - 55.00MM	1.5000 - 2.2812 1.4961 - 2.1654	2-3/4	2.7500 - 2.7496	SFX-176	68.00	71.23	72.75	77.00	78.25	81.00	83.25	85.40	88.25	91.25	93.25	96.25	100.75	103.50	106.20	108.50	110.87	114.30	118.72										
1-3/4 - 2-17/32 44.00MM - 60.00MM	1.7500 - 2.5312 1.7323 - 2.3622	3"	3.0000 - 2.9996	SFX-192	77.00	79.40	82.23	84.28	87.45	90.20		93.40	97.00	102.75	106.30	110.20	113.90	118.24	123.08	128.00	133.00	138.00	143.28										
2-1/4 - 2-5/8 55.00MM - 65.00MM	2.2500 - 2.6250 2.1654 - 2.5591	3-1/4	3.2500 - 3.2496	SFX-208	78.25	81.76	85.00	88.42	91.80	94.92		100.91	104.08	107.73	112.01	116.85	121.70	126.54	131.10	134.47	137.76	144.50	148.31										
2-1/4 - 2-7/8 55.00MM - 70.00MM	2.2500 - 2.8750 2.1654 - 2.7559	3-3/8	3.3750 - 3.3746	SFX-216	80.64	83.44	87.08	90.72	94.64	100.32		104.88	109.16	113.72	118.56	123.98	129.39	135.09	139.37	143.07	147.06	149.73	154.76	161.31									
2-5/8 - 2-7/8 65.00MM - 70.00MM	2.6250 - 2.8750 2.5591 - 2.7559	3-1/2	3.5000 - 3.4996	SFX-224	82.32	84.92	89.32	92.96	97.16	103.50		107.45	111.44	117.30	121.41	126.54	131.96	137.66	142.22	147.30	151.91	157.00	162.05	172.89									
2-1/2 - 3-1/8 60.00MM - 75.00MM	2.5000 - 3.1250 2.3622 - 2.9528	3-3/4	3.7500 - 3.7496	SFX-240	84.28	87.92	91.28	95.20	100.01	105.45		109.73	114.29	118.56	123.41	128.82	135.00	139.94	145.64	151.34	157.00	162.17	167.24	178.82	189.56								
2-3/4 - 3-1/4 65.00MM - 80.00MM	2.7500 - 3.2500 2.5591 - 3.1496	4"	4.0000 - 3.9996	SFX-256	91.84	94.08	99.76	102.32	106.02	109.16		114.14	117.14	121.70	127.08	130.82	135.66	141.08	146.78	153.33	159.60	166.73	173.00	186.11	197.47	210.75							
3 - 3-1/2 75.00MM - 85.00MM	3.0000 - 3.5000 2.9528 - 3.3465	4-1/4	4.2500 - 4.2496	SFX-272	93.80	96.60	101.75	104.88	108.20	114.43		117.42	122.19	126.50	127.97	135.99	140.59	146.68	151.14	159.28	165.60	171.29	178.13	191.80	205.20	218.88							
3 - 3-5/8 75.00MM - 90.00MM	3.0000 - 3.6250 2.9528 - 3.5433	4-3/8	4.3750 - 4.3746	SFX-280	96.88	102.65	106.09	108.59	112.70	115.86		119.42	123.98	128.54	133.10	140.01	145.76	152.09	158.41	165.03	170.15	176.99	184.11	197.79	212.33	226.01	238.15						
3-3/8 - 3-3/4 80.00MM - 95.00MM	3.3750 - 3.7500 3.1496 - 3.7402	4-1/2	4.5000 - 4.4996	SFX-288	102.89	106.31	107.73	113.15	117.01	118.28		124.78	129.38	133.98	139.15	144.61	150.08	156.11	163.01	168.44	175.28	183.71	189.81	204.06	217.24	231.37	248.04						
3-3/8 - 4" 80.00MM - 100.00MM	3.3750 - 4.0000 3.1496 - 3.9370	4-3/4	4.7500 - 4.7496	SFX-304	107.16	111.55	115.00	118.16	121.61	124.78		129.38	132.54	138.58	143.46	148.93	153.33	160.71	166.16	173.57	180.98	188.39	195.80	210.62	226.01	240.26	259.92						
3-5/8 - 4-1/4 90.00MM - 105.00MM	3.6250 - 4.2500 3.5433 - 4.1339	5"	5.0000 - 4.9996	SFX-320	113.72	117.71	121.70	126.26	130.53	135.38		141.16	146.34	150.94	156.11	161.58	168.19	173.57	181.99	183.71	198.09	205.56	211.19	226.01	241.11	255.93	270.64						

E-X-T-E-N-D-E-D Range Slip Fit Renewable Technical Data

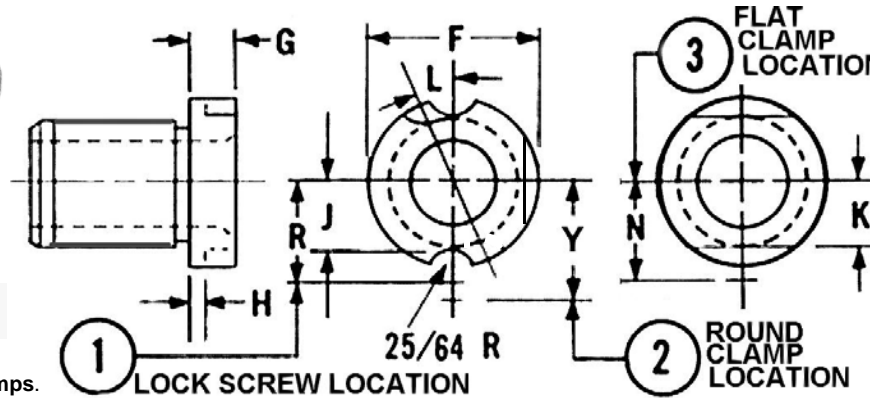
**Extended Range
SF and SFX Slip Fit**



SF



SFX

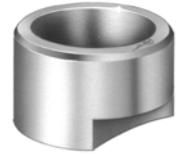


PATENT # 3,606,566
See Bushing Pages for Lock Screws and Clamps.

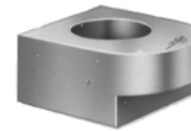
See following Pages for HL and L Liners.



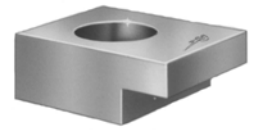
LOCK SCREW



ROUND CLAMP



ROUND END CLAMP



FLAT CLAMP

See Bushing Pages for Lock Screws and Clamps.

A I.D. RANGE				B O.D. SIZE			SELECT ANS I	TECHNICAL DATA FOR SF AND SFX EXTENDED RANGE								LOCK SCREWS	ROUND CLAMPS	ROUND END CLAMPS	SFX ONLY FLAT CLAMPS	
METRIC: REFERENCE ONLY NOM. / METRIC		U.S.A. INCH DECIMAL		NOM.	MAX -	MIN		F	G	H	J	K	L	Y	N					R
1-3/32 - 27.00MM	1-17/32 - 38.00MM	1.0937 - 1.0630	1.5312 - 1.4961	2"	2.0000	1.9996	SF-128	2-9/16	3/8	3/16	1-1/8	1"	30°	1-49/64	1-41/64	1-33/64	LS-3	RC-3	R-3, R-14	F-3, F-14, F-15
1-1/2 - 38.00MM	2-1/32 - 50.00MM	1.5000 - 1.4961	2.0312 - 1.9685	2-1/2	2.5000	2.4996	SF-160	3-1/16	3/8	3/16	1-3/8	1-1/4	25°	2-1/64	1-57/64	1-49/64	LS-3	RC-3	R-3, R-14	F-3, F-14, F-15
1-1/2 - 38.00MM	2-9/32 - 55.00MM	1.5000 - 1.4961	2.2812 - 2.1654	2-3/4	2.7500	2.7496	SF-176	3-7/16	7/16	7/32	1-35/64	1-3/8	25°	2-1/4	2-3/16	1-15/16	LS-4	RC-4	R-4, R-15	F-4, F-5, F-16, F-17
1-3/4 - 44.00MM	2-17/32 - 60.00MM	1.7500 - 1.7323	2.5312 - 2.3622	3"	3.0000	2.9996	SF-192	3-11/16	7/16	7/32	1-43/64	1-1/2	25°	2-3/8	2-5/16	2-1/16	LS-4	RC-4	R-4, R-15	F-4, F-5, F-16, F-17
2-1/4 - 55.00MM	2-5/8 - 65.00MM	2.2500 - 2.1654	2.6250 - 2.5591	3-1/4	3.2500	3.2496	SF-208	3-15/16	7/16	7/32	1-51/64	1-5/8	25°	2-1/2	2-7/16	2-3/16	LS-4	RC-4	R-4, R-15	F-4, F-5, F-16, F-17
2-1/4 - 55.00MM	2-7/8 - 70.00MM	2.2500 - 2.1654	2.8750 - 2.7559	3-3/8	3.3750	3.3746	SF-216	4-1/16	7/16	7/32	1-55/64	1-11/16	25°	2-9/16	2-1/2	2-1/4	LS-4	RC-4	R-4, R-15	F-4, F-5, F-16, F-17
2-5/8 - 65.00MM	2-7/8 - 70.00MM	2.6250 - 2.5591	2.8750 - 2.7559	3-1/2	3.5000	3.4996	SF-224	4-3/16	7/16	7/32	1-59/64	1-3/4	25°	2-5/8	2-9/16	2-5/16	LS-4	RC-4	R-4, R-15	F-4, F-5, F-16, F-17
2-1/2 - 60.00MM	3-1/8 - 75.00MM	2.5000 - 2.3622	3.1250 - 2.9528	3-3/4	3.7500	3.7496	SF-240	4-9/16	7/16	7/32	2-7/64	1-7/8	25°	2-13/16	2-11/16	2-1/2	LS-4	RC-4	R-4, R-16	F-4, F-5, F-18, F-19
2-3/4 - 65.00MM	3-1/4 - 80.00MM	2.7500 - 2.5591	3.2500 - 3.1496	4"	4.0000	3.9996	SF-256	4-13/16	1/2	1/4	2-15/64	2"	25°	2-15/16	2-13/16	2-5/8	LS-5	RC-5	R-5, R-17	F-6, F-7, F-20, F-21
3 - 75.00MM	3-1/2 - 85.00MM	3.0000 - 2.9528	3.5000 - 3.3465	4-1/4	4.2500	4.2496	SF-272	5-1/16	1/2	1/4	2-23/64	2-1/8	20°	3-1/16	3-1/16	2-3/4	LS-5	RC-5	R-5, R-17	F-6, F-7, F-20, F-21
3 - 75.00MM	3-5/8 - 90.00MM	3.0000 - 2.9528	3.6250 - 3.5433	4-3/8	4.3750	4.3746	SF-280	5-3/16	1/2	1/4	2-27/64	2-3/16	20°	3-1/8	3"	2-13/16	LS-5	RC-5	R-5, R-17	F-6, F-7, F-20, F-21
3-3/8 - 80.00MM	3-3/4 - 95.00MM	3.3750 - 3.1496	3.7500 - 3.7402	4-1/2	4.5000	4.4996	SF-288	5-5/16	1/2	1/4	2-31/64	2-1/4	20°	3-3/16	3-1/16	2-7/8	LS-5	RC-5	R-5, R-17	F-6, F-7, F-20, F-21
3-3/8 - 80.00MM	4" - 100.00MM	3.3750 - 3.1496	4.0000 - 3.9370	4-3/4	4.7500	4.7496	SF-304	5-9/16	1/2	1/4	2-39/64	2-3/8	20°	3-5/16	3-3/16	3"	LS-5	RC-5	R-5, R-17	F-6, F-7, F-20, F-21
3-5/8 - 90.00MM	4-1/4 - 105.00MM	3.6250 - 3.5433	4.2500 - 4.1339	5"	5.0000	4.9996	SF-320	5-13/16	1/2	1/4	2-47/64	2-1/2	20°	3-7/16	3-5/16	3-1/8	LS-5	RC-5	R-5, R-17	F-6, F-7, F-20, F-21

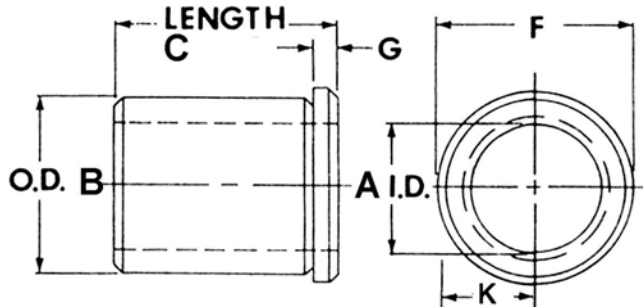
UNITED's Highly Popular and Practical Extended Range Bushings!

HL - HLU Head Liner Bushings

For HEAVY DUTY Applications



Best Precision - Best Prices Anywhere!



STANDARD SIZES: All Extended Range Bushing inside diameters in 1/64 increments are Standard UNITED sizes.

SPECIAL SIZES: All other sizes are Special. When changing any Catalog Standard, please add the suffix 'SP.'

IDENTIFICATION: Special identification or marking can be stamped or etched on request.

HARDNESS: Rockwell C61-65 in the hole.

CONCENTRICITY: Extended Range Finished Ground Bushings are held to a concentricity of .0005 T.I.R.

TOLERANCE: I.D. Tolerance is nominal +.0003 +.0007.

LEAD: All Finished Ground Extended Range Bushings feature a concentric ground lead.

EXTENDED RANGE BUSHINGS ARE NOT RETURNABLE FOR CREDIT.

EXTENDED Head Liner HL and HLU

BIG — TOUGH

SPECIFY 'HL' FOR GROUND SPECIFY 'HLU' FOR UNGROUND

Specify suffix U for UNGROUND with O.D. Tolerances of +.015 to +.020. GROUND O.D. Tolerances are shown.



QUANTITY DISCOUNT FOR SAME SIZE AND TYPE:						
1 - 3	4 - 6	7 - 12	13 - 24	25 - 49	50 - 99	100 & Up
List	-8%	-18%	-25%	-30%	-33%	-35%

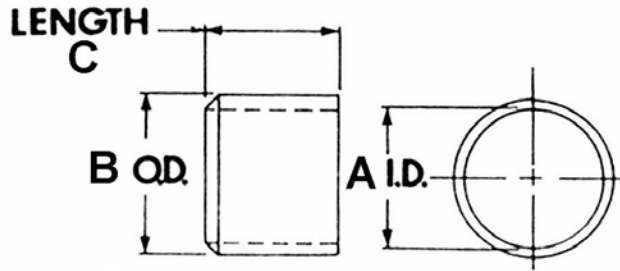
A METRIC REF.	I.D. RANGE U.S.A. INCH DECIMAL	B O.D. SIZE U.S.A. INCH ACTUAL	ANSI SYMBOL	C FRACTIONAL LENGTH OVERALL / ANSI LENGTH SYMBOL BY 16ths																						TECHNICAL DATA								
				3/4	1"	1-1/4	1-1/2	1-3/4	2"	2-1/8	2-1/4	2-1/2	2-3/4	3"	3-1/4	3-1/2	3-3/4	4"	4-1/4	4-1/2	4-3/4	5"	5-1/2	6"	6-1/2	7"	F	G	K					
				-12	-16	-20	-24	-28	-32	-34	-36	-40	-44	-48	-52	-56	-60	-64	-68	-72	-76	-80	-88	-96	-104	-112								
50.00MM	2" 2.0010 - 2.0015 1.9685	2-1/2 2.5025 - 2.5021	HL-160	26.90	27.20	30.10	32.19	34.00	35.52	37.10	39.41	41.25	45.79	48.84	61.51	62.99	64.24	66.70	68.54	70.66	72.15	74.30								2-5/8	3/16			
60.00MM	2-1/2 2.5010 - 2.5015 2.3622	3" 3.0028 - 3.0023	HL-192	51.06	51.89	54.29	55.50	56.33	59.74	61.00	62.40	64.94	66.40	69.20	71.32	73.26	75.10	77.15	79.37	81.86	84.36	88.25								3-1/8	3/16			
65.00MM	2-3/4 2.7510 - 2.7515 2.5591	3-3/8 3.3778 - 3.3773	HL-216	61.05	63.27	64.10	64.85	66.88	68.27	69.85	72.15	74.30	76.59	78.81	81.03	83.25	85.40	87.41	89.80	92.13	94.35	98.24								3-1/2	3/16			
75.00MM	3" 3.0010 - 3.0015 2.9528	3-5/8 3.6278 - 3.6273	HL-232	64.94	66.88	68.82	71.32	73.82	76.31		78.81	81.13	84.36	87.69	91.02	94.35	98.24	101.84	106.28	110.72	115.16	119.33								3-7/8	3/16	1-27/32		
75.00MM	3-1/4 3.2510 - 3.2515 2.9528	3-7/8 3.8778 - 3.8773	HL-248	66.60	68.82	71.60	74.37	77.15	79.92		83.25	86.30	89.91	93.24	97.13	101.29	105.73	109.34	112.67	116.55	120.71	124.60								4-1/8	3/16	1-31/32		
85.00MM	3-3/8 3.3760 - 3.3765 3.3465	4" 4.0028 - 4.0023	HL-256	67.99	70.49	73.54	77.15	79.92	83.25		87.14	90.74	94.35	98.51	102.95	107.67	112.67	115.72	119.33	122.38	125.43	129.04	135.98								4-1/4	3/16	2-1/32	
85.00MM	3-1/2 3.5010 - 3.5015 3.3465	4-1/8 4.1280 - 4.1275	HL-264	70.21	72.98	76.04	77.42	81.86	85.25		89.91	93.24	96.85	102.40	105.45	110.17	115.16	118.22	124.32	127.37	130.43	134.05	140.69								4-3/8	3/16	2-3/32	
95.00MM	3-3/4 3.7510 - 3.7515 3.7402	4-1/2 4.5030 - 4.5025	HL-288	71.60	74.37	77.15	80.75	83.81	87.69		91.02	95.18	98.51	102.68	107.12	111.83	116.55	121.27	125.99	130.98	135.98	140.69	149.85	159.84								4-3/4	7/32	2-9/32
100.00MM	4" 4.0010 - 4.0015 3.9370	4-3/4 4.7530 - 4.7525	HL-304	77.70	79.37	82.14	85.19	87.97	90.74		94.35	97.40	101.29	104.90	108.78	112.94	117.66	122.10	127.65	133.20	138.47	144.02	155.12	165.95	177.60				5"	7/32	2-13/32			
105.00MM	4-1/4 4.2510 - 4.2515 4.1339	5" 5.0030 - 5.0025	HL-320	79.37	81.59	84.36	86.86	90.47	93.24		97.40	101.01	104.62	108.23	111.83	116.00	120.99	125.99	131.54	136.81	142.91	148.19	159.84	171.22	182.60				5-1/4	7/32	2-17/32			
105.00MM	4-3/8 4.3760 - 4.3765 4.1339	5-1/8 5.1280 - 5.1275	HL-328	81.86	84.36	87.41	90.19	92.16	95.74		99.62	102.68	106.84	111.00	115.44	120.44	125.43	130.43	136.25	141.53	147.63	153.46	165.11	177.05	188.70	200.36	5-3/8	7/32		2-19/32				
105.00MM	4-1/2 4.5010 - 4.5015 4.1339	5-1/4 5.2530 - 5.2525	HL-336	85.47	88.25	91.02	93.52	96.57	99.62		102.95	106.56	110.90	114.89	119.33	124.04	129.04	134.31	140.69	147.63	152.07	158.45	170.39	182.60	194.53	208.40	5-1/2	7/32		2-21/32				
115.00MM	4-3/4 4.7510 - 4.7515 4.5276	5-1/2 5.5030 - 5.5025	HL-352	89.08	92.13	94.63	97.40	100.18	102.95		106.56	110.45	114.33	119.42	122.93	127.65	132.92	138.20	144.58	150.68	156.79	163.45	173.99	188.70	200.63	215.90	5-3/4	7/32		2-25/32				
125.00MM	5" 5.0010 - 5.0015 4.9213	5-3/4 5.7530 - 5.7525	HL-368	99.07	100.18	101.29	104.90	108.78	112.67		116.27	120.71	124.60	128.76	133.48	138.47	144.58	149.85	157.34	163.73	169.83	176.21	188.70	201.19	213.68	228.11	6"	7/32		2-29/32				

L - LU Headless Liner Bushings

For HEAVY DUTY Applications



Best Precision - Best Prices Anywhere!



STANDARD SIZES: All Extended Range Bushing inside diameters in 1/64 increments are Standard *UNITED* sizes.
SPECIAL SIZES: All other sizes are Special. When changing any Catalog Standard, please add the suffix 'SP.'
IDENTIFICATION: Special identification or marking can be stamped or etched on request.
HARDNESS: Rockwell C61-65 in the hole.
CONCENTRICITY: Extended Range Finished Ground Bushings are held to a concentricity of .0005 T.I.R.
TOLERANCE: I.D. Tolerance is nominal +.0003 +.0007.
LEAD: All Finished Ground Extended Range Bushings feature a concentric ground lead.
EXTENDED RANGE BUSHINGS ARE NOT RETURNABLE FOR CREDIT.

EXTENDED Headless Liner L and LU

BIG — TOUGH
 SPECIFY 'L' FOR GROUND
 SPECIFY 'LU' FOR UNGROUND



Specify suffix U for UNGROUND with O.D. Tolerances of +.015 to +.020. GROUND O.D. Tolerances are shown.

QUANTITY DISCOUNT FOR SAME SIZE AND TYPE:						
1 - 3	4 - 6	7 - 12	13 - 24	25 - 49	50 - 99	100 & Up
List	-8%	-18%	-25%	-30%	-33%	-35%

A METRIC: REF. ONLY	I.D. RANGE U.S.A. INCH DECIMAL	B O.D. SIZE U.S.A. INCH ACTUAL			ANSI SYMBOL	C FRACTIONAL LENGTH OVERALL / ANSI LENGTH SYMBOL BY 16ths																											
						3/4	1"	1-1/4	1-1/2	1-3/4	2"	2-1/8	2-1/4	2-1/2	2-3/4	3"	3-1/4	3-1/2	3-3/4	4"	4-1/4	4-1/2	4-3/4	5"	5-1/2	6"	6-1/2	7"					
NOM./METRIC	MAX - MIN	NOM.	MAX - MIN		-12	-16	-20	-24	-28	-32	-34	-36	-40	-44	-48	-52	-56	-60	-64	-68	-72	-76	-80	-88	-96	-104	-112						
2" 50.00MM	2.0010 - 2.0015 1.9685	2-1/2	2.5025 - 2.5021	L-160	22.83	23.10	25.58	27.27	29.15	30.53	31.63	33.28	34.93	42.90	47.85	51.98	53.35	55.00	57.20	58.85	61.05	62.98	64.35										
2-1/2" 60.00MM	2.5010 - 2.5015 2.3622	3"	3.0028 - 3.0023	L-192	48.84	49.40	51.06	52.17	54.11	55.50	57.44	59.11	61.33	64.10	66.88	68.82	70.95	73.26	74.80	77.00	79.75	82.50	85.80										
2-3/4" 65.00MM	2.7510 - 2.7515 2.5591	3-3/8	3.3778 - 3.3773	L-216	58.83	60.50	61.33	63.27	65.21	66.60	67.65	69.58	71.50	73.70	75.90	78.10	80.30	82.50	85.80	86.90	88.83	92.13	94.88										
3" 75.00MM	3.0010 - 3.0015 2.9528	3-5/8	3.6278 - 3.6273	L-232	63.27	64.63	67.16	69.10	71.50	73.70		75.04	79.37	81.95	84.70	88.00	91.85	94.88	98.73	103.13	107.25	111.83	115.23										
3-1/4" 75.00MM	3.2510 - 3.2515 2.9528	3-7/8	3.8778 - 3.8773	L-248	64.66	67.16	69.93	69.93	74.93	77.70		80.30	83.05	86.90	90.20	94.33	97.90	101.75	105.33	109.18	112.75	116.60	120.18										
3-3/8" 85.00MM	3.3760 - 3.3765 3.3465	4"	4.0028 - 4.0023	L-256	66.05	68.82	70.95	73.98	77.55	80.58		84.43	87.45	91.30	94.88	99.55	104.23	108.63	112.20	115.23	118.25	121.55	124.85	138.33									
3-1/2" 85.00MM	3.5010 - 3.5015 3.3465	4-1/8	4.1280 - 4.1275	L-264	67.65	70.13	73.43	76.45	79.75	80.85		86.58	90.47	94.35	98.51	102.95	107.39	111.83	115.72	118.80	123.20	126.78	130.90	143.00									
3-3/4" 95.00MM	3.7510 - 3.7515 3.7402	4-1/2	4.5030 - 4.5025	L-288	71.23	71.50	74.53	77.83	81.13	84.70		88.00	91.58	94.88	99.00	103.68	107.80	112.75	117.43	121.83	126.50	130.90	135.58	145.20	154.28								
4" 100.00MM	4.0010 - 4.0015 3.9370	4-3/4	4.7530 - 4.7525	L-304	76.84	78.82	79.92	84.19	85.75	88.25		91.85	95.18	98.51	101.20	105.33	109.89	113.85	119.05	123.20	128.70	133.93	139.43	149.88	161.78	172.88							
4-1/4" 105.00MM	4.2510 - 4.2515 4.1339	5"	5.0030 - 5.0025	L-320	76.45	78.65	81.40	84.43	87.45	90.20		94.05	97.35	100.65	104.50	108.35	112.20	117.94	121.55	127.05	132.28	138.75	144.86	155.96	166.78	169.58							
4-3/8" 105.00MM	4.3760 - 4.3765 4.1339	5-1/8	5.1280 - 5.1275	L-328	78.93	81.95	84.43	86.90	89.65	92.40		95.70	99.28	103.40	107.25	111.65	116.05	121.83	126.23	131.18	136.95	140.25	147.95	160.95	172.33	183.98	193.33						
4-1/2" 105.00MM	4.5010 - 4.5015 4.1339	5-1/4	5.2530 - 5.2525	L-336	82.50	85.53	87.73	90.48	94.60	95.70		99.28	103.13	107.95	110.55	114.95	119.63	124.85	129.80	137.64	141.35	147.91	154.29	165.95	178.16	189.81	201.30						
4-3/4" 115.00MM	4.7510 - 4.7515 4.5276	5-1/2	5.5030 - 5.5025	L-352	85.80	89.10	91.58	94.33	96.53	99.28		103.79	106.15	110.28	114.13	119.60	124.04	130.20	133.38	140.69	145.75	152.90	157.58	171.22	183.71	195.08	209.28						
5" 125.00MM	5.0010 - 5.0015 4.9213	5-3/4	5.7530 - 5.7525	L-368	91.30	94.60	97.90	101.20	104.78	108.63		112.75	116.60	120.45	124.30	129.87	134.87	140.69	147.84	153.46	158.13	164.18	170.23	183.98	191.50	206.25	220.00						

UNITED's Highly Popular and Practical Extended Range Bushings!